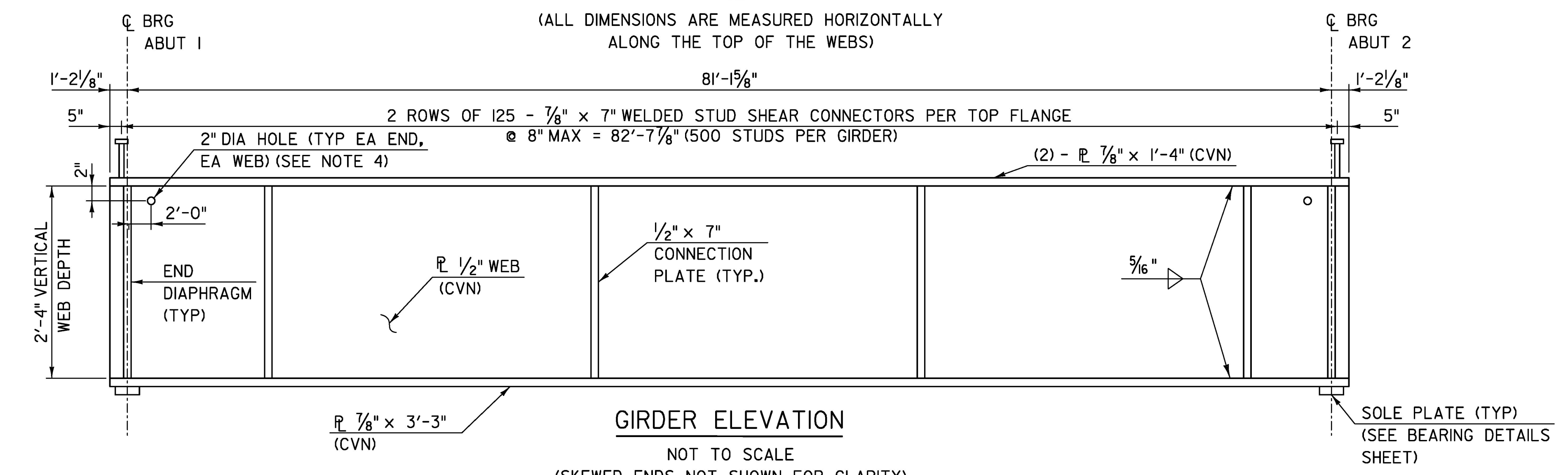
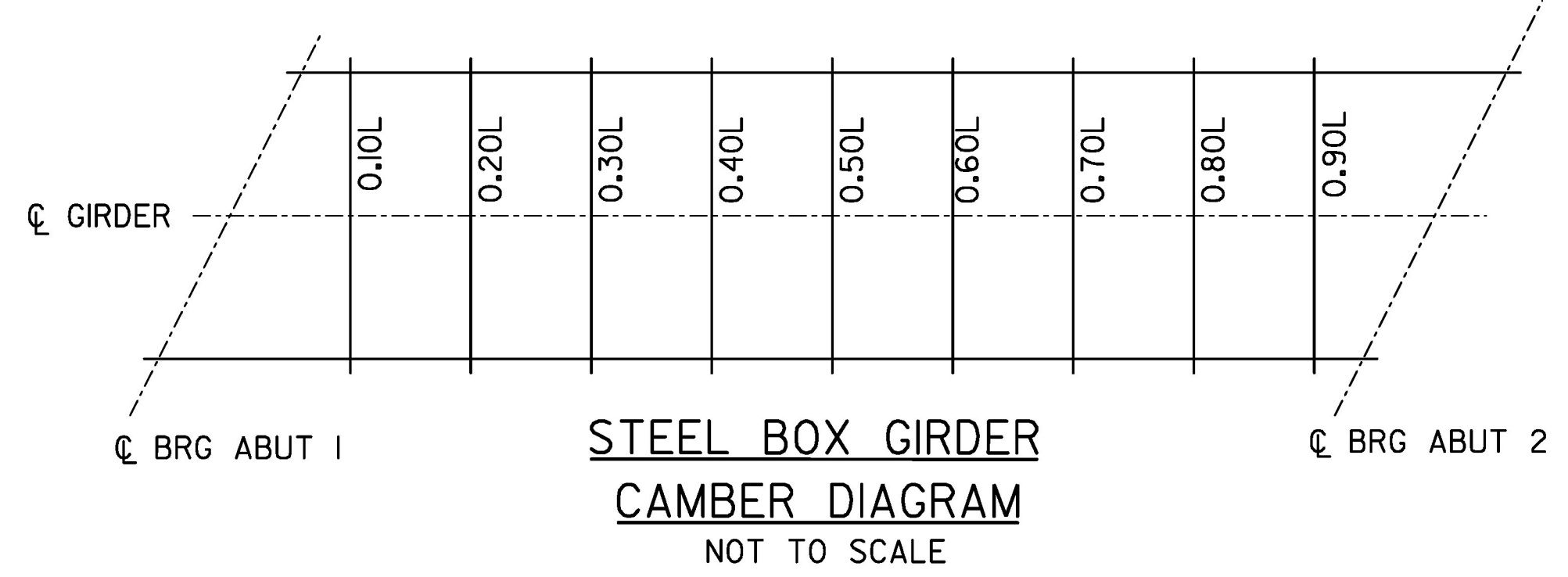
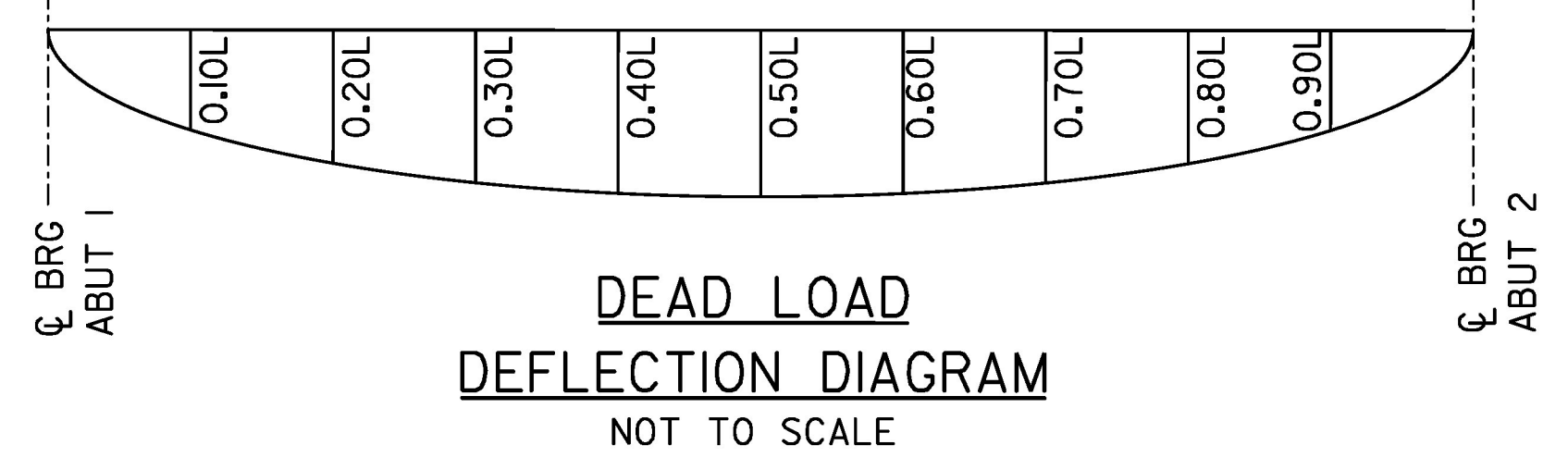
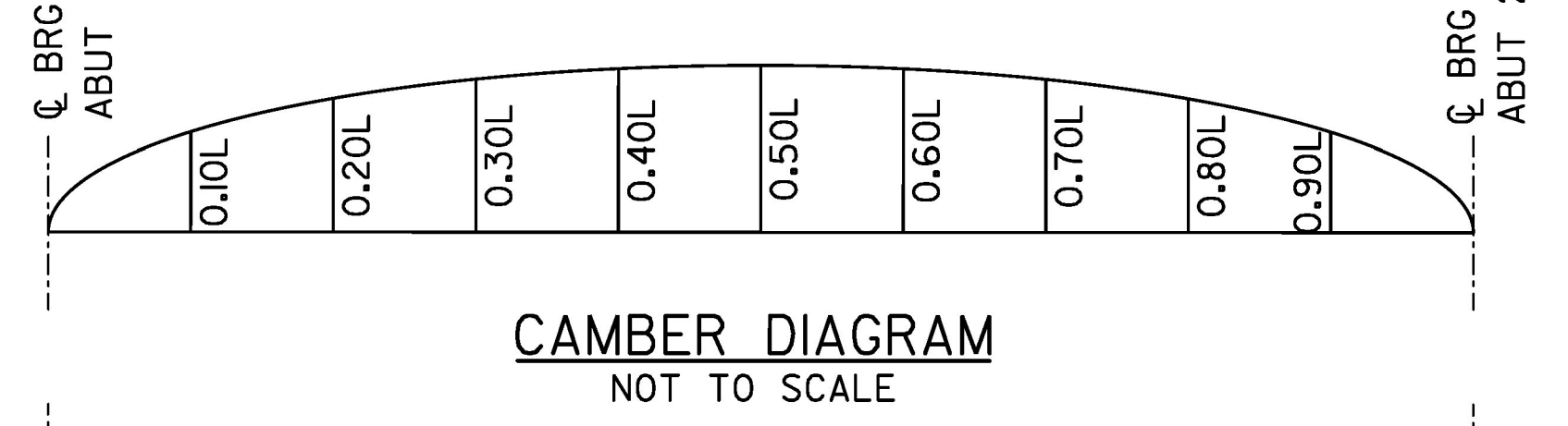
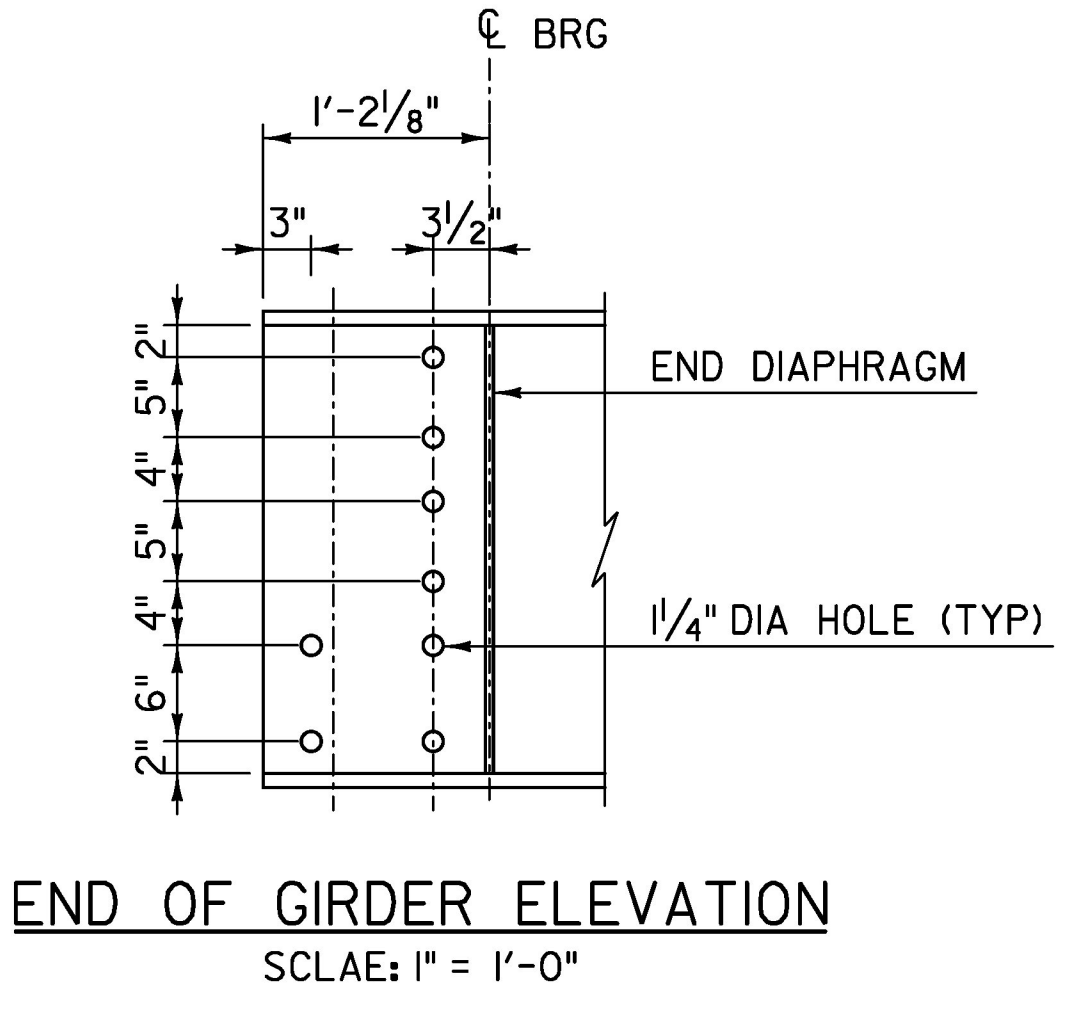


FRAMING PLAN
SCALE: 3/16" = 1'-0"
(ALL DIMENSIONS ARE MEASURED HORIZONTALLY ALONG THE TOP OF THE WEBS)



GIRDER ELEVATION
NOT TO SCALE
(SKEWED ENDS NOT SHOWN FOR CLARITY) (INTERIOR SHOWN)

GIRDER	LOCATION	0.10	0.20	0.30	0.40	0.50	0.60	0.70	0.80	0.90
GIRDERS (G1 & G2)	STEEL DL DEFLECTION	1/4	7/16	5/8	11/16	3/4	11/16	5/8	7/16	1/4
	SLAB & SDL DEFLECTION	7/8	11/16	25/16	23/4	27/8	23/4	25/16	11/16	7/8
	TOTAL DL DEFLECTION	11/8	21/8	215/16	37/16	35/8	37/16	215/16	21/8	11/8
	REQUIRED TOTAL CAMBER	15/8	3	4 1/8	43/4	5	43/4	41/8	3	15/8
GIRDERS (G3 & G4)	STEEL DL DEFLECTION	1/4	7/16	5/8	11/16	3/4	11/16	5/8	7/16	1/4
	SLAB & SDL DEFLECTION	13/16	19/16	23/16	29/16	211/16	29/16	23/16	19/16	13/16
	TOTAL DL DEFLECTION	11/16	2	213/16	31/4	37/16	31/4	213/16	2	11/16
	REQUIRED TOTAL CAMBER	19/16	27/8	4	49/16	413/16	49/16	4	27/8	19/16



- NOTES:**
- SEE "GIRDER DETAILS 1" SHEET FOR DETAILS A, B, AND C.
 - SHEAR CONNECTORS SHALL PROJECT A MINIMUM OF 2" ABOVE THE BOTTOM OF SLAB. SHEAR CONNECTOR LOCATIONS MAY BE ADJUSTED AS NECESSARY TO MAINTAIN 2" CLEAR FROM LATERAL BRACING BOLTS AND ADJACENT SHEAR CONNECTORS.
 - SEE "GIRDER DETAILS 2" FOR ACCESS HATCH AND DRAIN HOLE DETAILS.
 - 3"x3" - 10 GAGE WOVEN WIRE MESH, 1/2" X 1/2" WIRE SPACING, GALVANIZED AND PAINTED SHALL BE PLACED ON THE INSIDE OF THE GIRDER. EPOXY OR ANOTHER APPROVED ADHESIVE SHALL BE USED TO ATTACHED MESH TO GIRDER.

TYLIN INTERNATIONAL

PROJECT NAME: CHelsea
PROJECT NUMBER: BHF 0169(9)

FILE NAME: z12ci50frame.dgn
PROJECT LEADER: J. OLUND
DESIGNED BY: T. POULIN
FRAMING PLAN AND DETAILS

PLOT DATE: 8/31/2016
DRAWN BY: S. MORGAN
CHECKED BY: J. OLUND
SHEET 44 OF 137