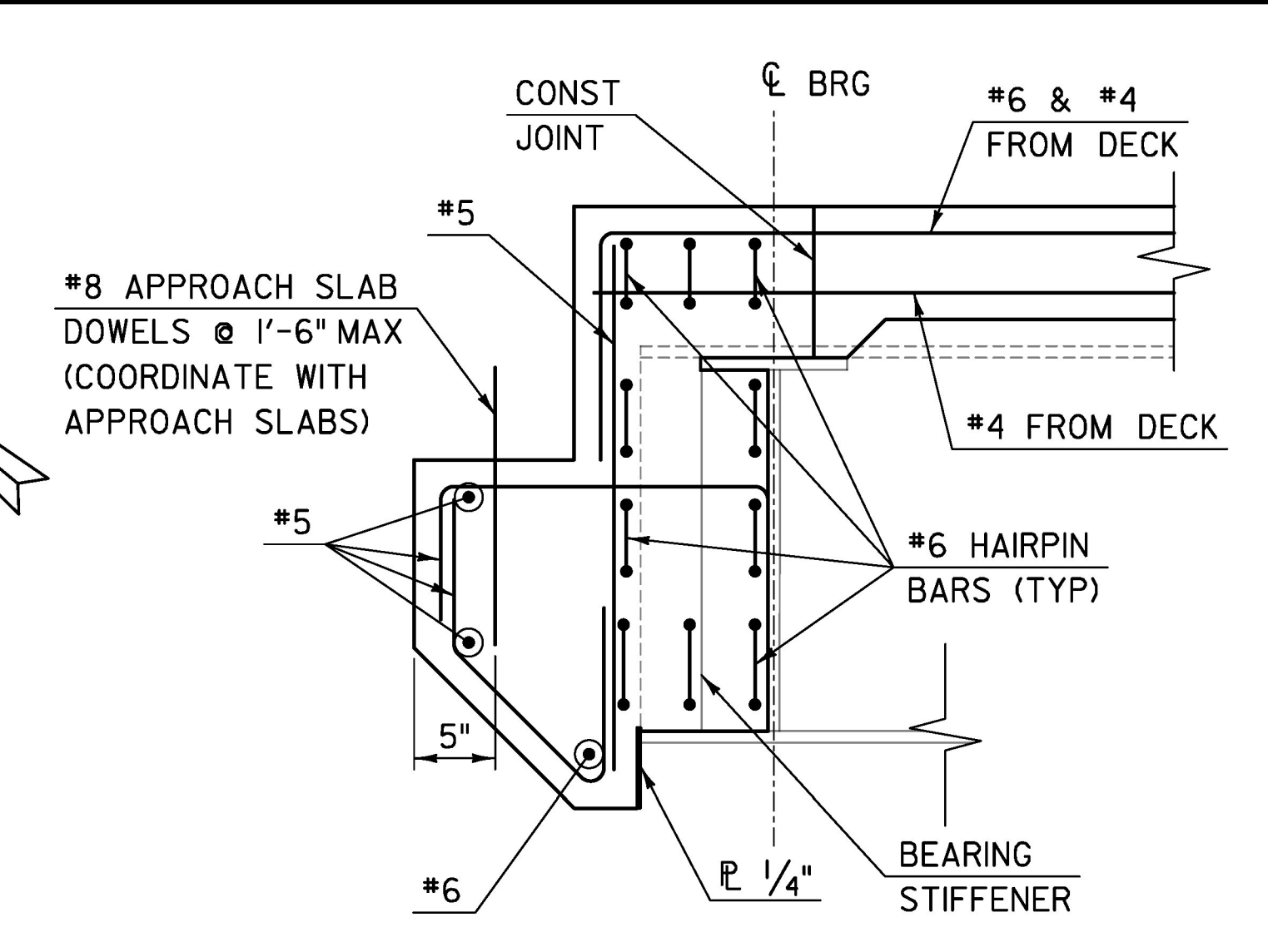
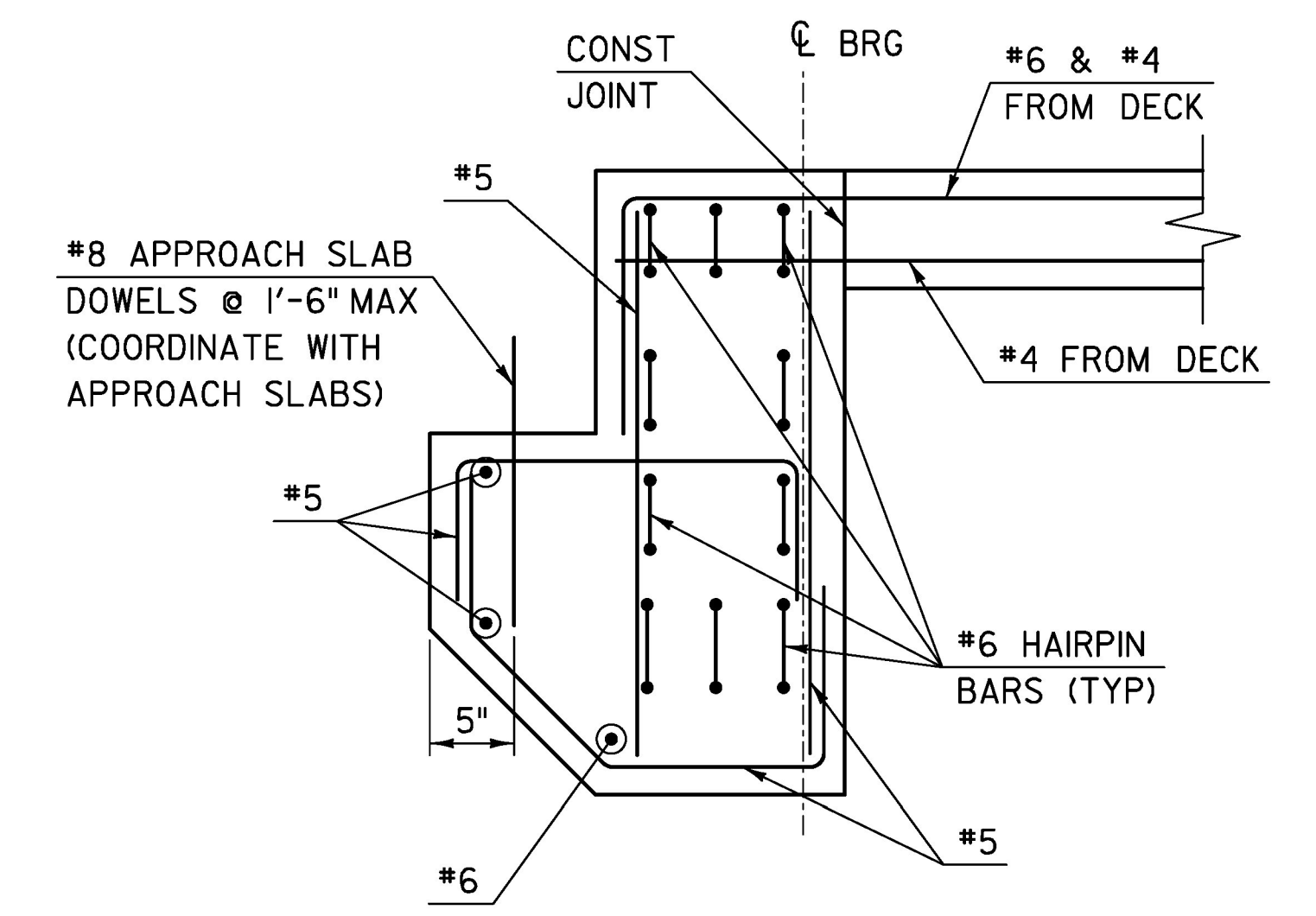


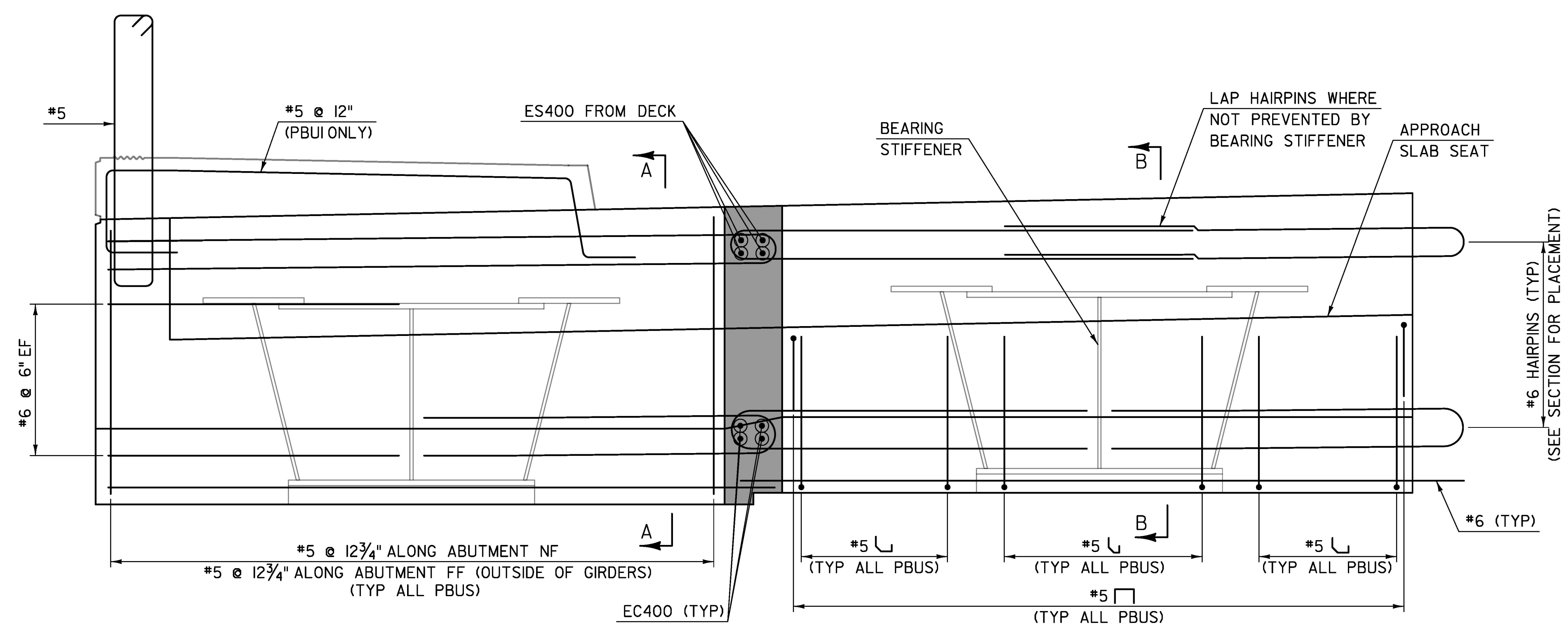
PARTIAL CURTAINWALL PLAN
 SCALE: 3/4" = 1'-0"
 ABUTMENT 1 SHOWN, ABUTMENT 2 SIMILAR
 DECK REINFORCEMENT AND VERTICAL BARS NOT SHOWN FOR CLARITY



SECTION B-B
 SCALE: 1" = 1'-0"
 (NORMAL TO CL BRG)



SECTION A-A
 SCALE: 1" = 1'-0"
 (NORMAL TO CL BRG)



PARTIAL END VIEW
 SCALE: 1" = 1'-0"
 VIEW PERPENDICULAR TO GIRDERS
 DECK REINFORCEMENT NOT SHOWN FOR CLARITY

LEGEND:

- SPECIAL PROVISION (HIGH PERFORMANCE CONCRETE, RAPID SET) (FPQ)
- NF NEAR FACE
- FF FAR FACE
- EF EACH FACE

PROJECT NAME:	CHelsea
PROJECT NUMBER:	BHF 0169(9)
FILE NAME:	z12ci50cr+wl2.dgn
PROJECT LEADER:	J. OLUND
DESIGNED BY:	D. MYERS
CURTAINWALL DETAILS 2	
PLOT DATE:	8/31/2016
DRAWN BY:	S. MORGAN
CHECKED BY:	J. OLUND
SHEET	43 OF 137

