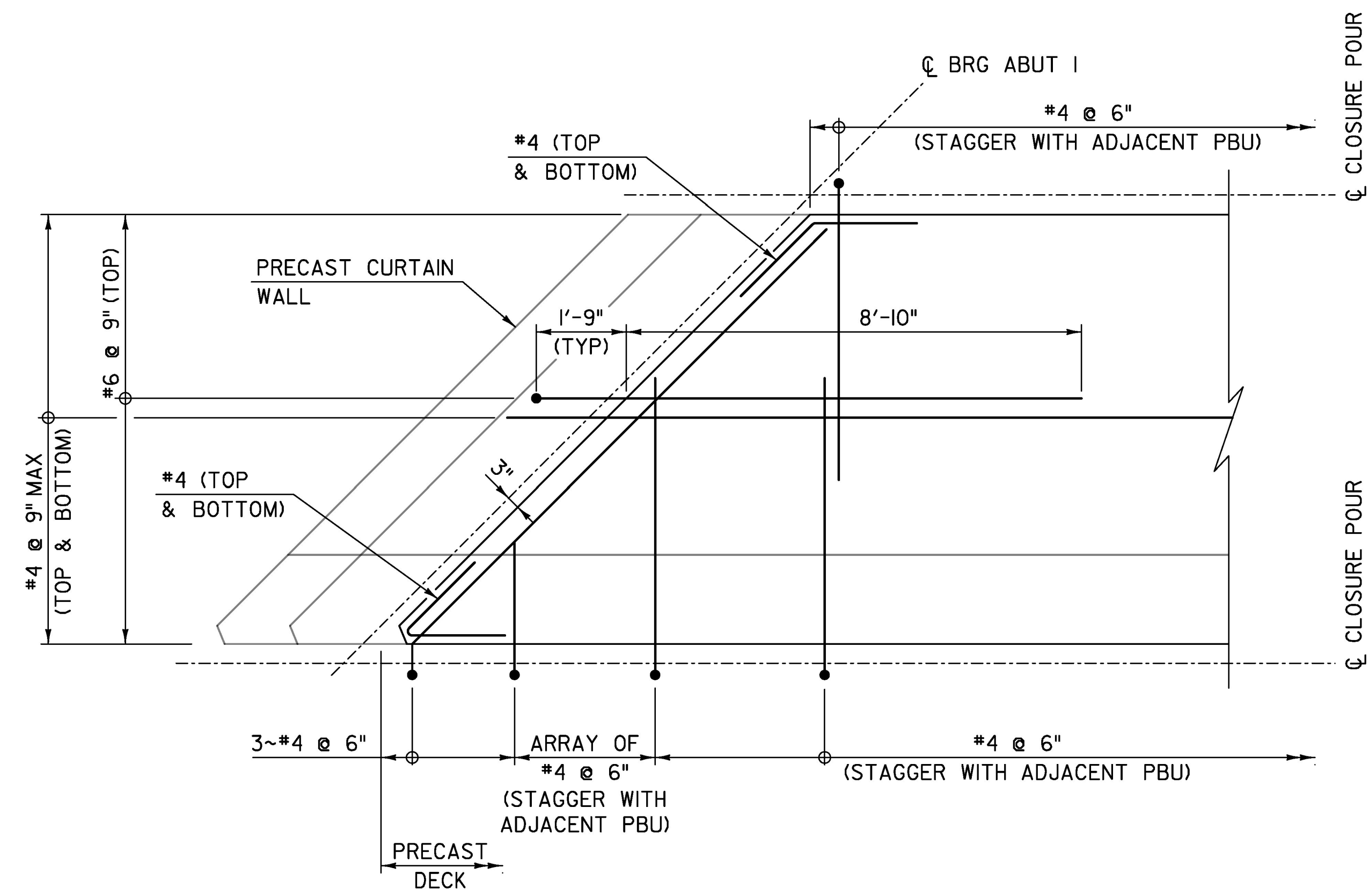


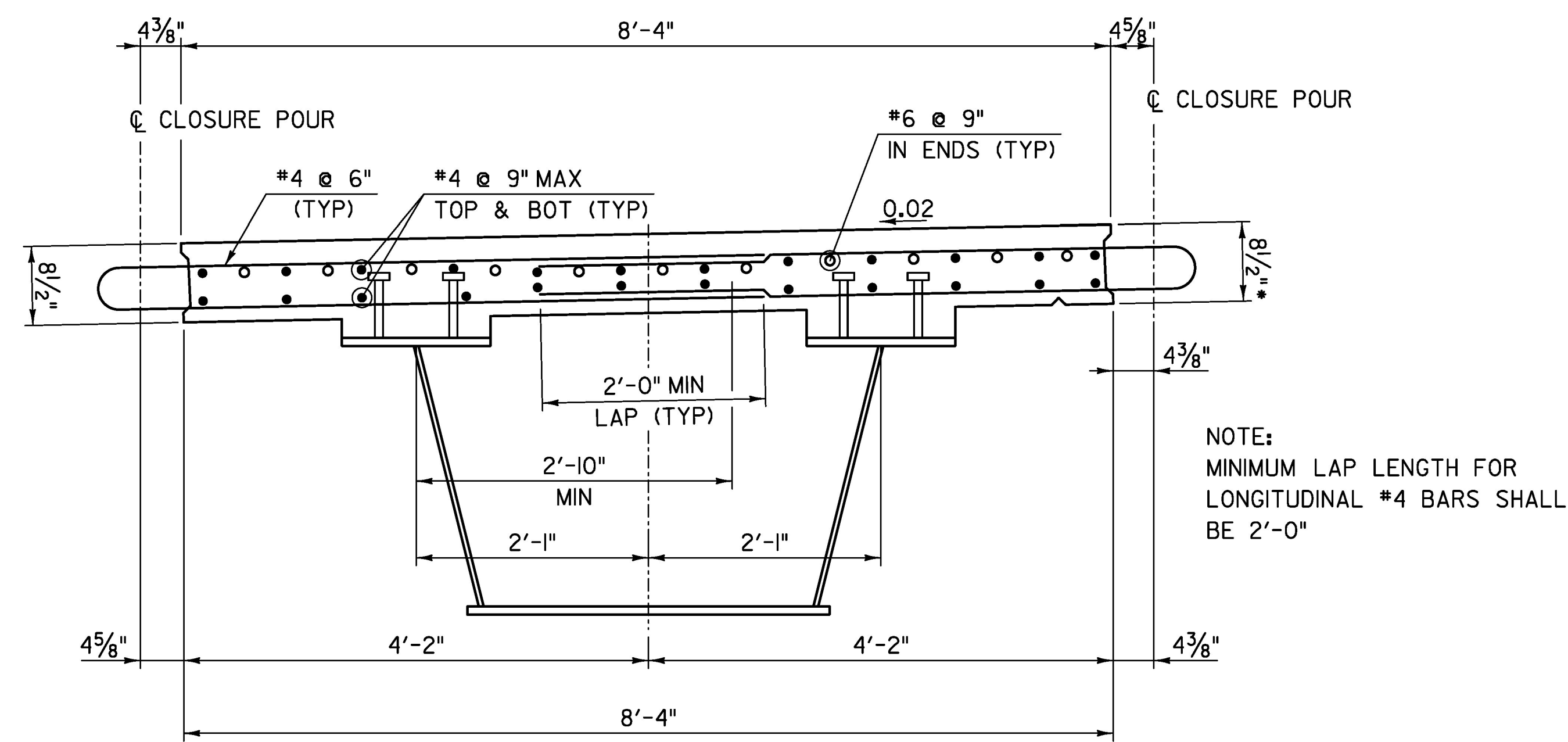
**PBU 2 PLAN**

SCALE: 1/2" = 1'-0"  
 (ABUTMENT 2 END SIMILAR)  
 (STEEL TUB GIRDER NOT SHOWN FOR CLARITY)



**PBU 3 PLAN**

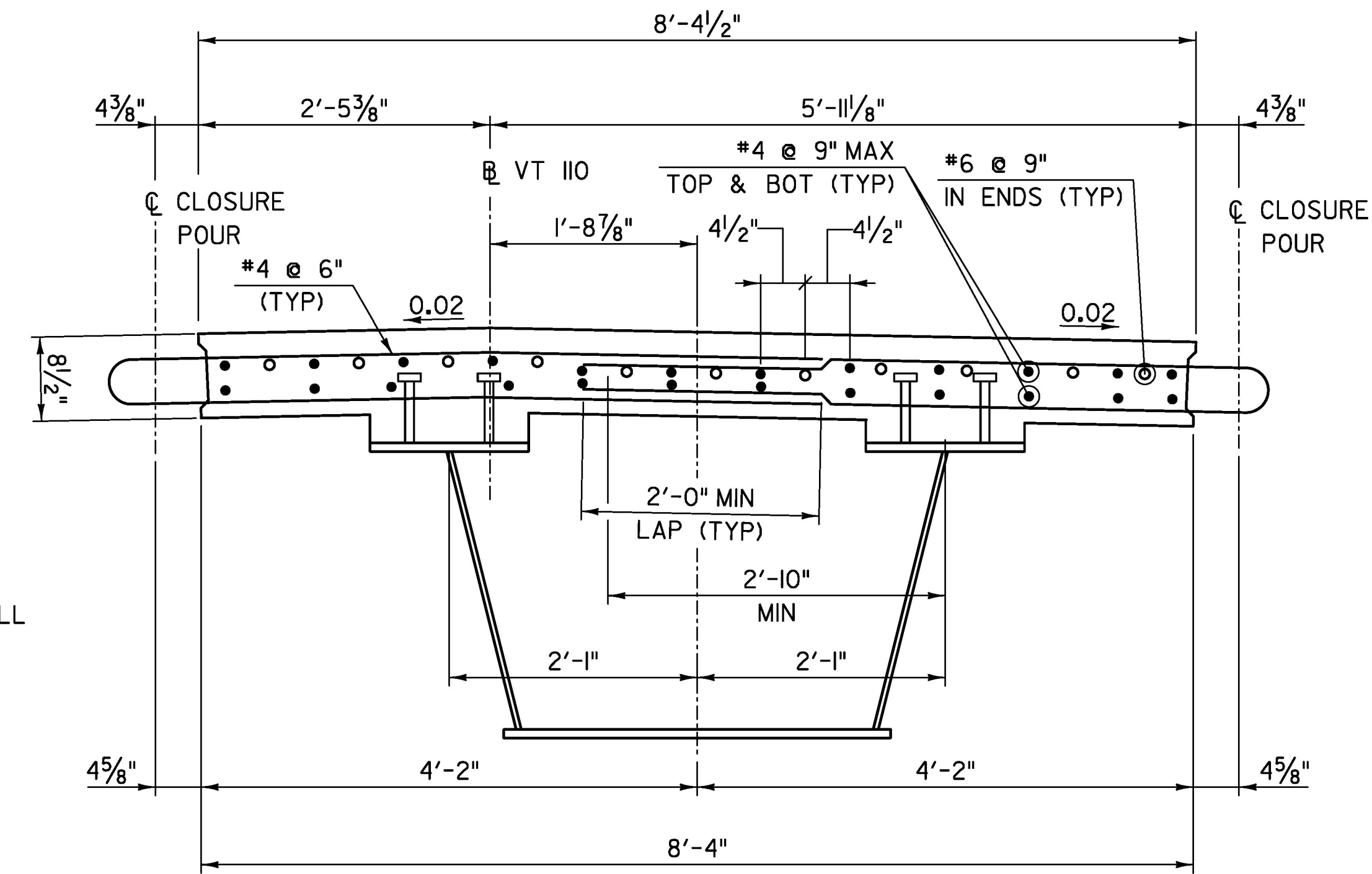
SCALE: 1/2" = 1'-0"  
 (ABUTMENT 2 END SIMILAR)  
 (STEEL TUB GIRDER NOT SHOWN FOR CLARITY)



**PBU 2 SECTION**

SCALE: 1/2" = 1'-0"

NOTE:  
 MINIMUM LAP LENGTH FOR  
 LONGITUDINAL #4 BARS SHALL  
 BE 2'-0"



**PBU 3 SECTION**

SCALE: 1/2" = 1'-0"

\* NOTED DIMENSIONS AND/OR ELEVATIONS ARE BASED ON A FINAL DECK THICKNESS OF 8 1/2 INCHES. SEE PROJECT NOTES FOR ADDITIONAL INFORMATION.

**TYLIN** INTERNATIONAL

PROJECT NAME: CHelsea  
 PROJECT NUMBER: BHF 0169(9)

FILE NAME: z12ci50pbu2.dgn  
 PROJECT LEADER: J. OLUND  
 DESIGNED BY: B. TOOTHAKER  
 PBU TYPICAL SECTIONS AND DETAILS 2

PLOT DATE: 8/31/2016  
 DRAWN BY: S. MORGAN  
 CHECKED BY: J. OLUND  
 SHEET 41 OF 137