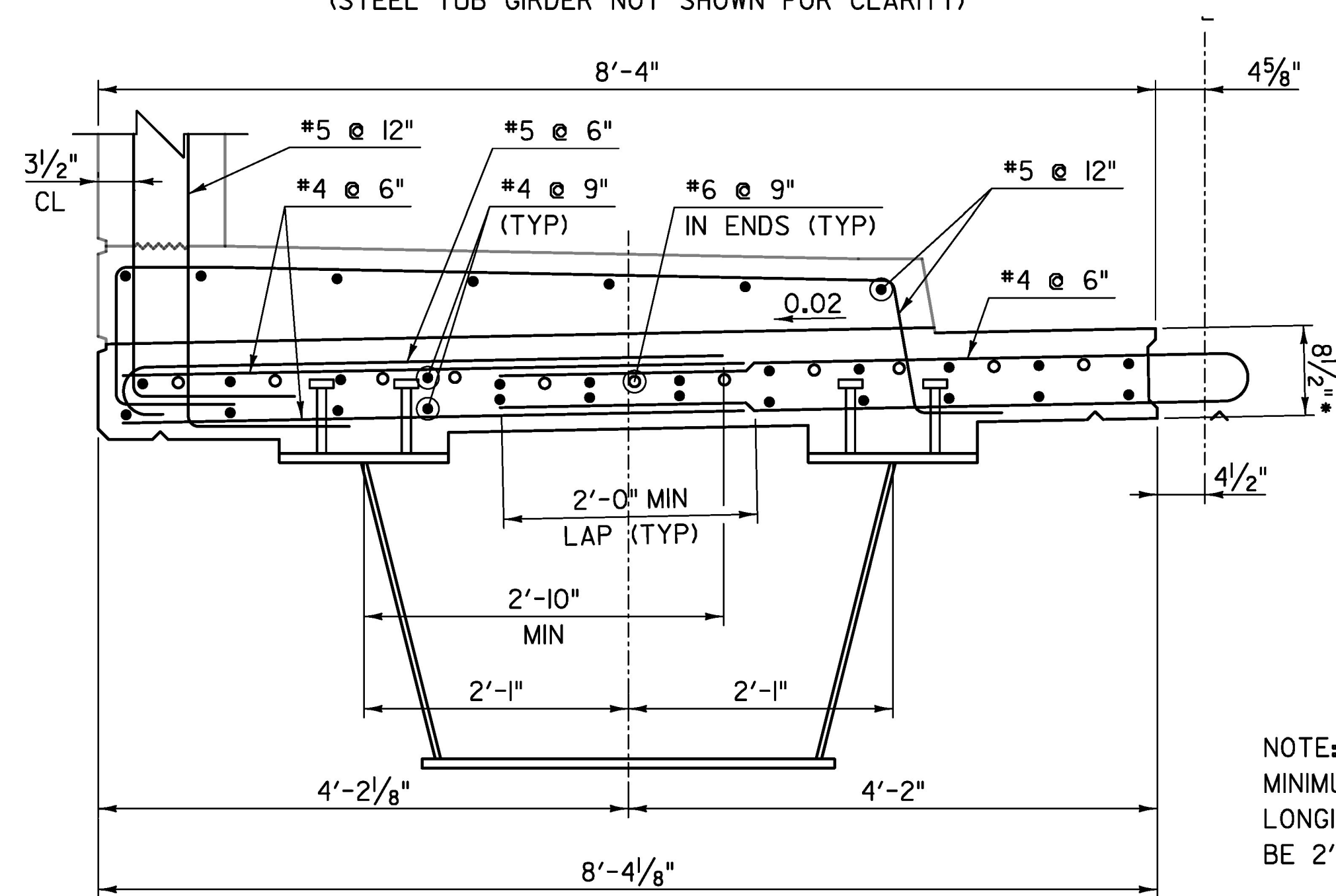


PBU 1 PLAN

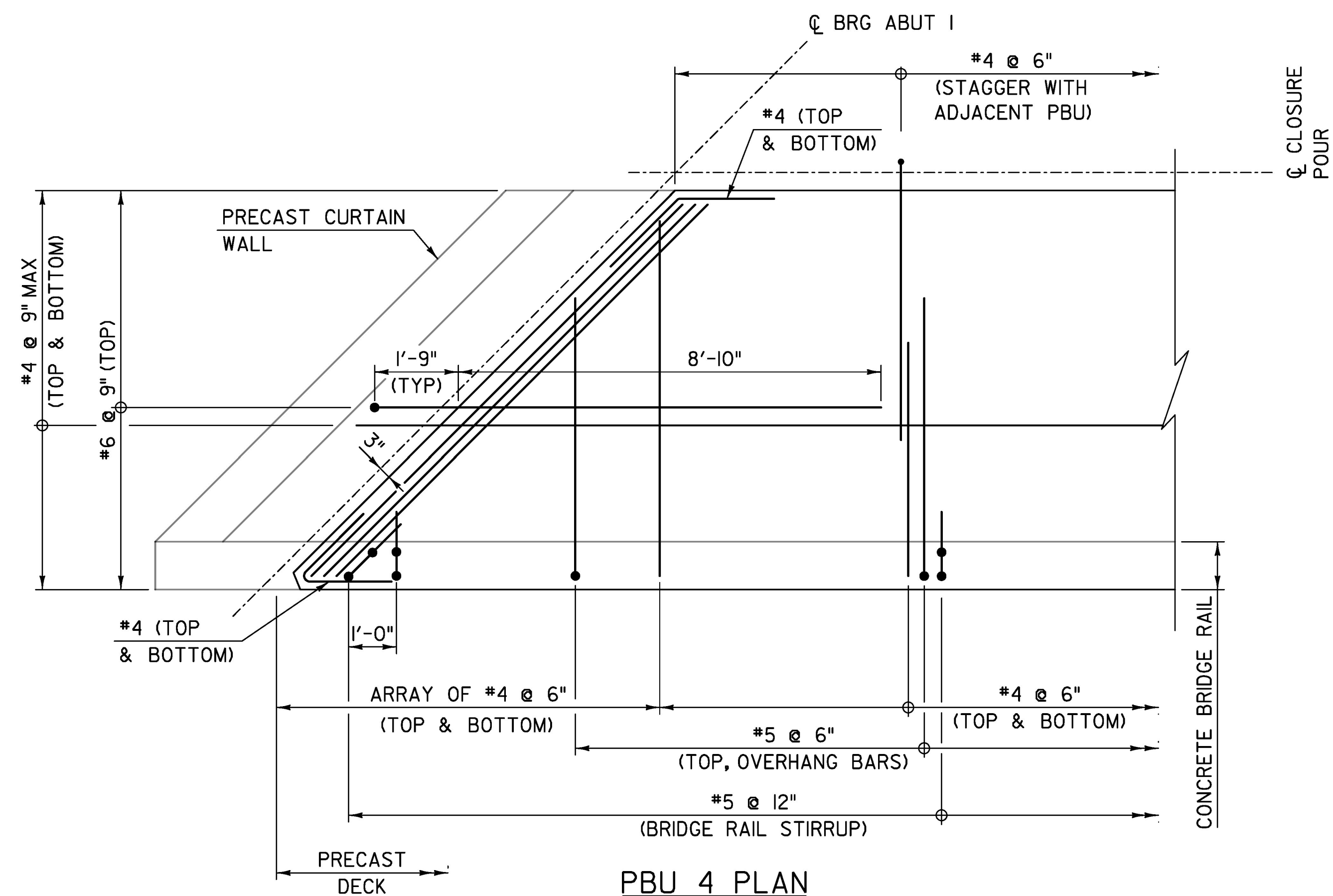
SCALE: 1/2" = 1'-0"
 (ABUTMENT 2 END SIMILAR)
 (STEEL TUB GIRDER NOT SHOWN FOR CLARITY)



PBU 1 SECTION

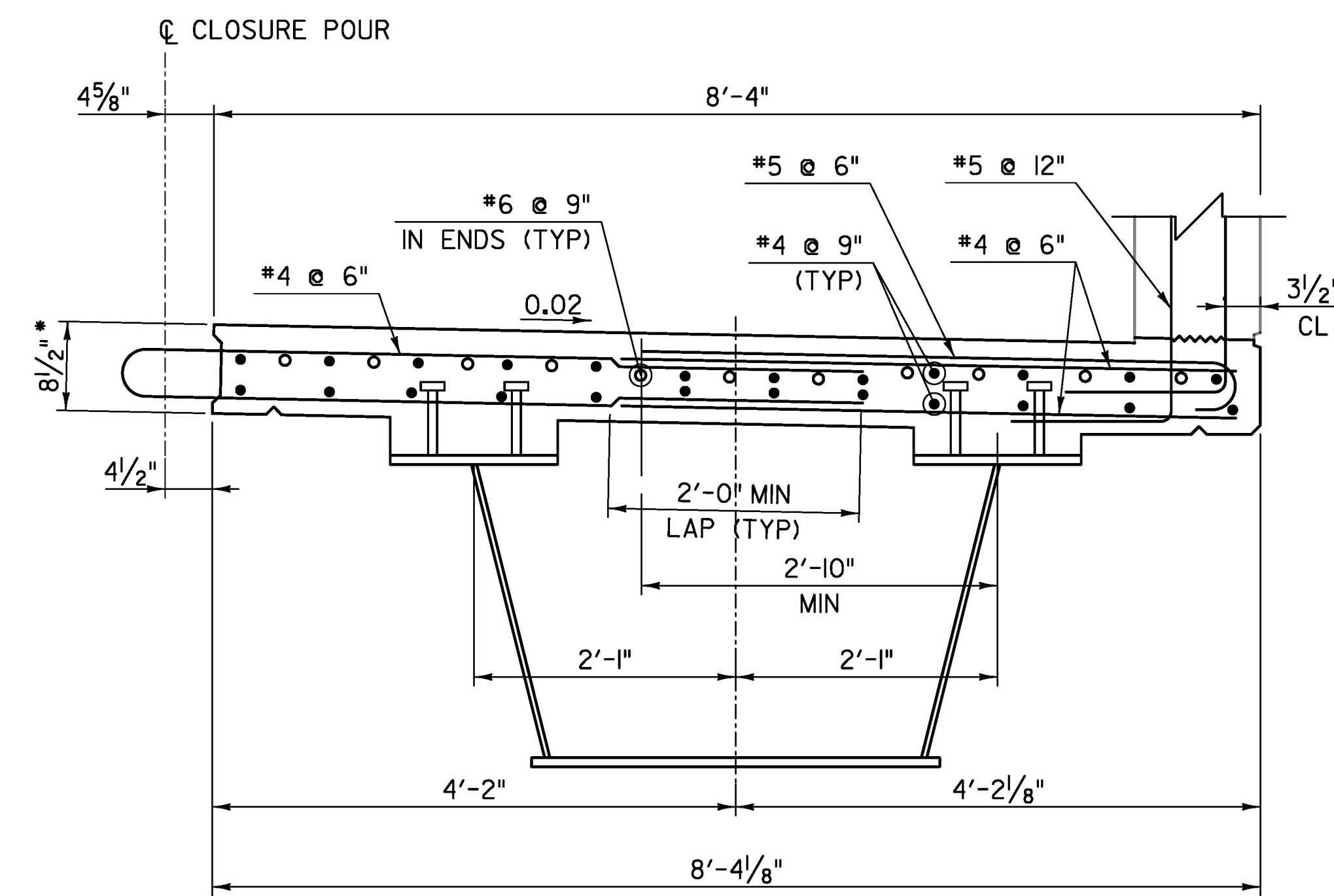
SCALE: 1/2" = 1'-0"

NOTE:
 MINIMUM LAP LENGTH FOR #4
 LONGITUDINAL BARS SHALL
 BE 2'-0"



PBU 4 PLAN

SCALE: 1/2" = 1'-0"
 (ABUTMENT 2 END SIMILAR)
 (STEEL TUB GIRDER NOT SHOWN FOR CLARITY)



PBU 4 SECTION

SCALE: 1/2" = 1'-0"

* NOTED DIMENSIONS AND/OR ELEVATIONS ARE BASED ON A FINAL DECK THICKNESS OF 8 1/2 INCHES. SEE PROJECT NOTES FOR ADDITIONAL INFORMATION.

TYLIN INTERNATIONAL

PROJECT NAME: CHelsea
 PROJECT NUMBER: BHF 0169(9)

FILE NAME: z12ci50pbu1.dgn
 PROJECT LEADER: J. OLUND
 DESIGNED BY: B. TOOTHAKER
 PBU TYPICAL SECTIONS AND DETAILS I

PLOT DATE: 8/31/2016
 DRAWN BY: S. MORGAN
 CHECKED BY: J. OLUND
 SHEET 40 OF 137