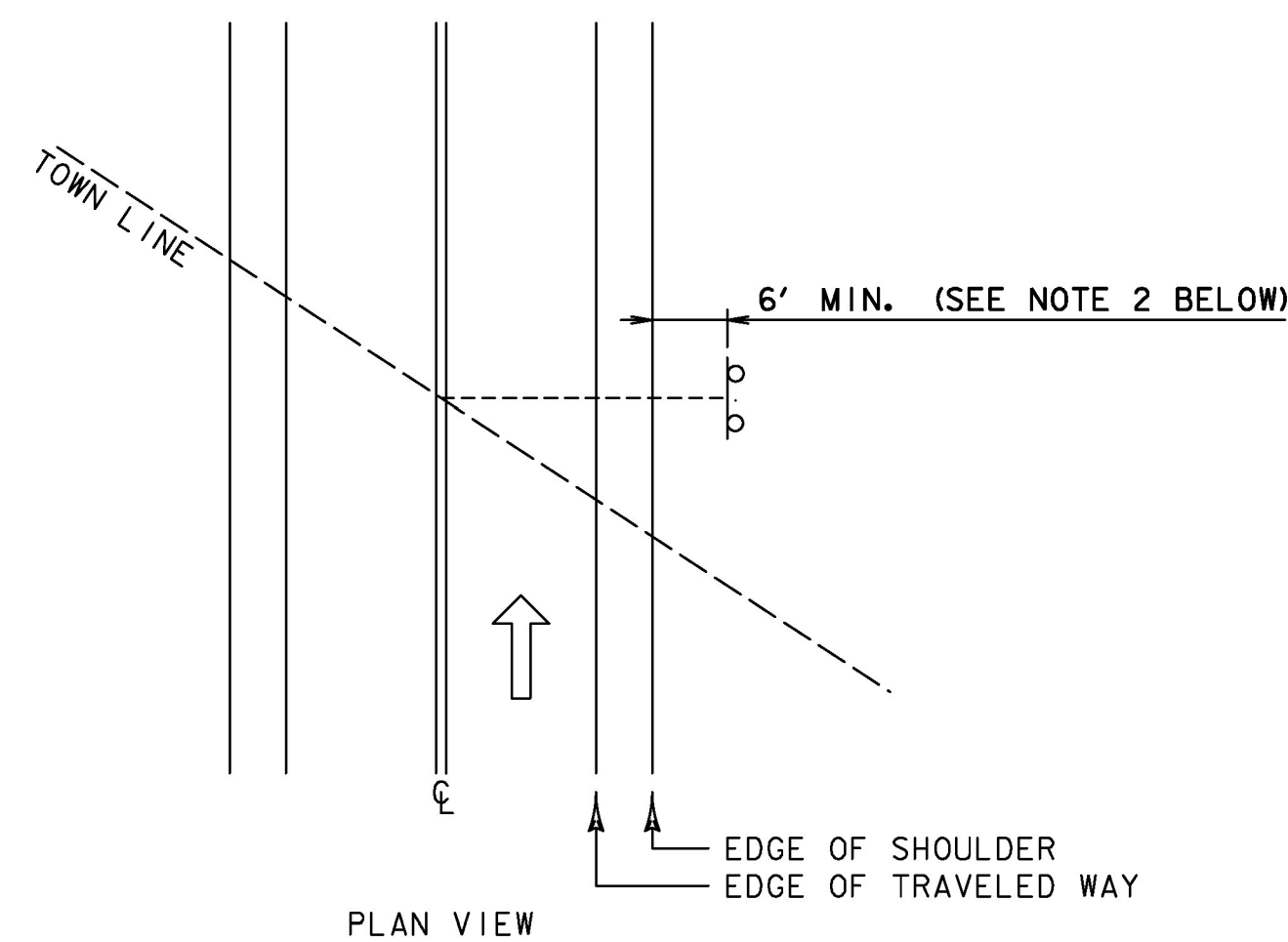
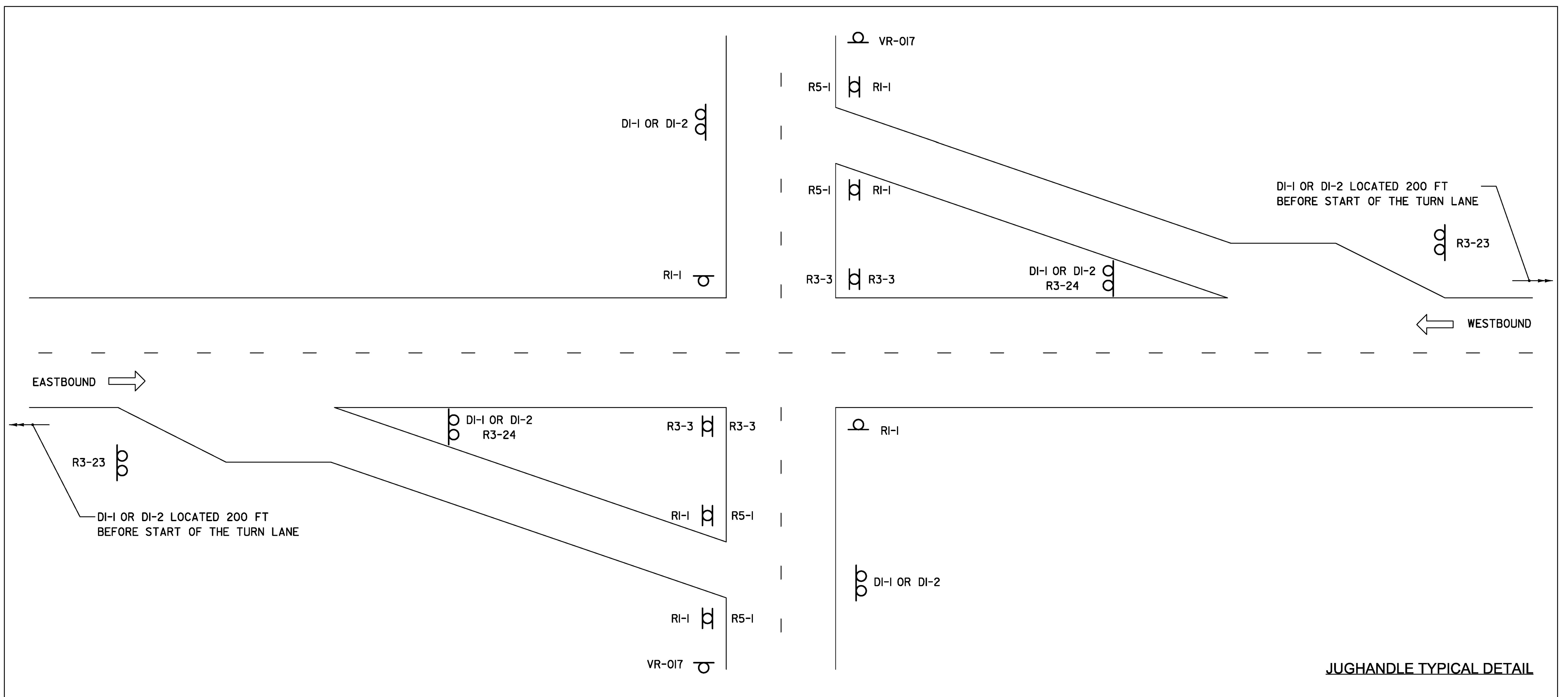


WHEN CROSSING COUNTY BOUNDARIES, AN ADDITIONAL COUNTY LINE SIGN (VD-025) SHALL BE MOUNTED BELOW THE TOWN LINE SIGN (VD-024), MAINTAINING A SEVEN FOOT CLEARANCE.

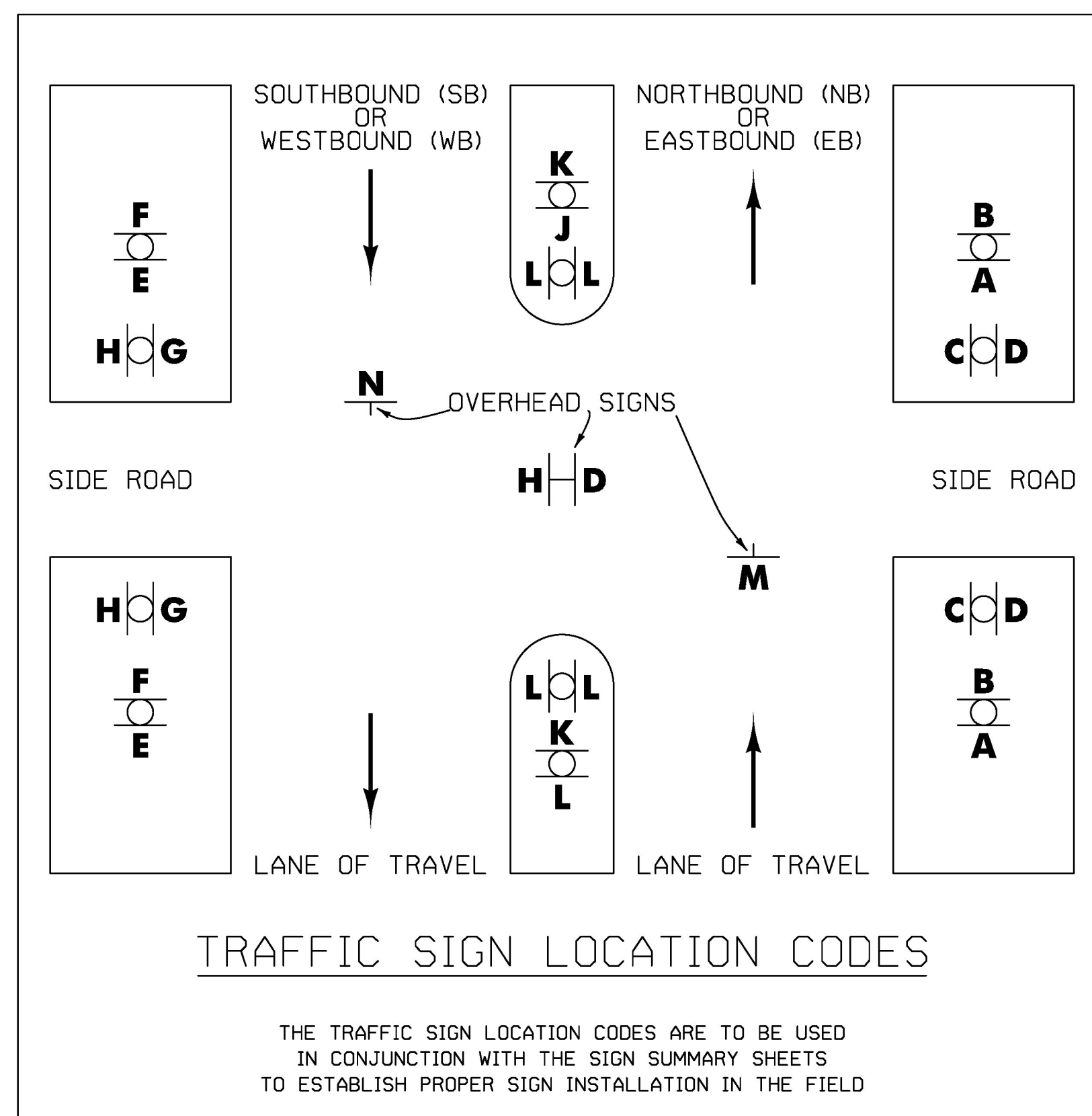


TOWN / COUNTY LINE (VD-024 / VD-025) INSTALLATION:

1. THE SIGN SHALL BE MOUNTED PARALLEL WITH THE ROADWAY, NORMALLY ON THE RIGHT SIDE TRAVELLING WEST TO EAST OR SOUTH TO NORTH.
2. FOR POST-MOUNTED SIGNS, THE MINIMUM LATERAL OFFSET SHOULD BE TWELVE FEET FROM THE EDGE OF THE TRAVELED WAY. IF A SHOULDER WIDER THAN SIX FEET EXISTS, THE MINIMUM LATERAL OFFSET FOR POST MOUNTED SIGNS SHOULD BE SIX FEET FROM THE EDGE OF SHOULDER.



JUGHANDLE TYPICAL DETAIL



TRAFFIC SIGN LOCATION CODES

THE TRAFFIC SIGN LOCATION CODES ARE TO BE USED IN CONJUNCTION WITH THE SIGN SUMMARY SHEETS TO ESTABLISH PROPER SIGN INSTALLATION IN THE FIELD

DELINEATOR LOCATIONS:

TOWN:	DIRECTION:	MILE POINT:	NO. OF NEW TYPE II DELINEATORS (POSTS):	NO. OF REMOVALS:	POST SPACING:	SHEET:
ALBURGH	EB	8.291 - 8.400	20 (10)	-	60	36
ALBURGH	WB	8.119 - 7.989	16 (8)	-	100	45
ALBURGH	WB	6.872 - 6.679	26 (13)	-	85	45
ALBURGH	WB	5.824 - 5.625	30 (15)	-	75	50
ALBURGH	WB	3.049 - 2.830	22 (11)	-	100	63
NORTH HERO	EB	2.404 - 2.511	16 (8)	-	80	68
NORTH HERO	EB	5.154 - 5.268	12 (6)	-	120	70
NORTH HERO	WB	5.071 - 5.019	12 (6)	-	55	80
NORTH HERO	WB	2.804 - 2.709	10 (5)	-	130	81
NORTH HERO	WB	2.639 - 2.497	14 (7)	-	125	81
NORTH HERO	WB	2.183 - 2.033	18 (9)	-	100	82

NOTE: ALL DELINEATOR PLACEMENT SHALL BE IN CONFORMANCE WITH VAOT STANDARD T-40 DELINEATORS AND MILEPOSTS, UNLESS OTHERWISE NOTED.
ALL DELINEATORS WILL BE PLACED BACK TO BACK.

ALL DIMENSIONS SHOWN IN INCHES, EXCEPT WHERE NOTED. NOT TO SCALE

NOT TO SCALE TYLIN INTERNATIONAL	PROJECT NAME: ALBURGH-COLCHESTER	PLOT DATE: 4/15/2014
	PROJECT NUMBER: STPG SIGN(45)	DRAWN BY: J. BLANCHARD
	FILE NAME: z12b530_SD01.dgn	CHECKED BY: K. KERN
	PROJECT LEADER: D. BRYANT	SHEET 4 OF 167
	DESIGNED BY: B. TOOTHAKER	
	SIGN DETAILS I	