

**CONSTRUCTION SPECIFICATIONS**

1. FILTER FABRIC SHALL HAVE AN APPARENT OPENING SIZE OF 40-85. BURLAP MAY BE USED FOR SHORT TERM APPLICATIONS.
2. CUT FABRIC FROM A CONTINUOUS ROLL TO ELIMINATE JOINTS. IF JOINTS ARE NEEDED THEY WILL BE OVERLAPPED TO THE NEXT STAKE.
3. STAKE MATERIALS WILL BE STANDARD 2"x 4" WOOD OR EQUIVALENT METAL WITH A MINIMUM LENGTH OF 3'.
4. SPACE STAKES EVENLY AROUND INLET 3' APART AND DRIVE A MINIMUM 18" DEEP. SPANS GREATER THAN 3' MAY BE BRIDGED WITH THE USE OF WIRE MESH BEHIND THE FILTER FABRIC FOR SUPPORT.
5. FABRIC SHALL BE EMBEDDED 1' MINIMUM BELOW GROUND AND BACKFILLED. IT SHALL BE SECURELY FASTENED TO THE STAKES AND FRAME.
6. A 2" x 4" WOOD FRAME SHALL BE COMPLETED AROUND THE CREST OF THE FABRIC FOR OVER FLOW STABILITY.
7. MAXIMUM DRAINAGE AREA 1 ACRE

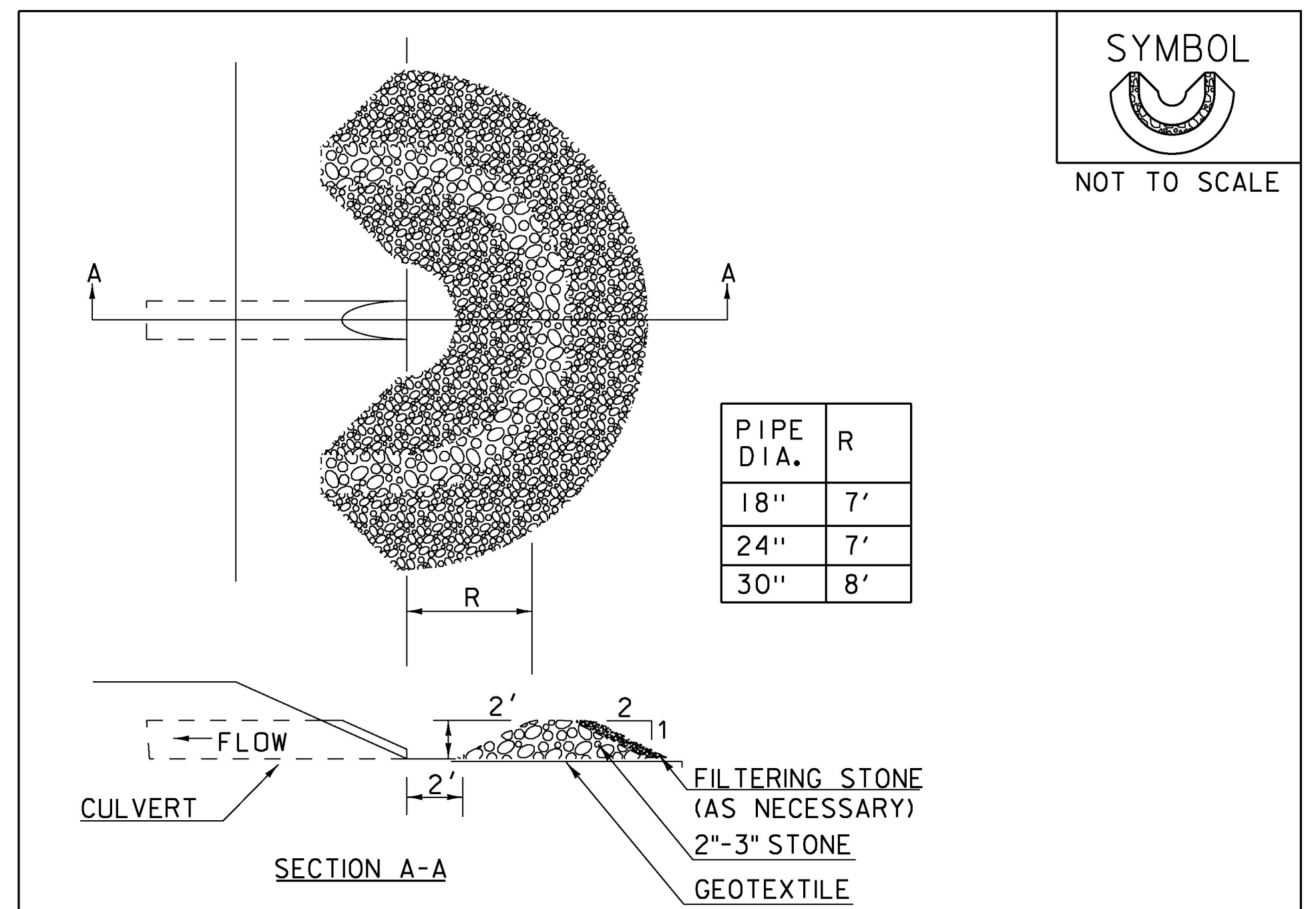
ADAPTED FROM DETAILS PROVIDED BY: NEW YORK STATE DEC  
 ORIGINALLY DEVELOPED BY USDA-NRCS  
 VERMONT DEPARTMENT OF ENVIRONMENTAL CONSERVATION

**FILTER FABRIC  
 DROP INLET  
 PROTECTION**

NOTES:  
 REFER TO "THE VERMONT STANDARDS & SPECIFICATIONS FOR  
 EROSION PREVENTION & SEDIMENT CONTROL -2006- "FROM  
 THE VT AGENCY OF NATURAL RESOURCES FOR ADDITIONAL  
 GUIDANCE.

THIS WORK SHALL BE PERFORMED IN ACCORDANCE WITH  
 SECTION 653 FOR INLET PROTECTION DEVICE, TYPE I(PAY  
 ITEM 653.40).

REVISIONS		
MARCH 7, 2008	WHF	
JANUARY 13, 2009	WHF	



**CONSTRUCTION SPECIFICATIONS**

1. USE 2" TO 3" STONE. FILTERING STONE SHALL BE 3/4".
2. PLACE STONE OVER GEOTEXTILE.
- 3.
4. THE CHECK DAM(S) SHALL BE FLATTENED AND GRADED IN A MANNER WHICH PROTECTS THE AREA FROM EROSION AND CHANNEL BLOCKAGE . (GEOTEXTILE MUST BE REMOVED).
5. THE GEOTEXTILE MUST BE DISPOSED OF APPROPRIATELY.
6. THE AREA CONTRIBUTING TO THE CHECK DAM SHALL NOT EXCEED 4 ACRES.

ADAPTED FROM DETAILS PROVIDED BY: ILLINOIS USDA-NRCS  
 ORIGINALLY DEVELOPED BY USDA-NRCS

**PIPE INLET  
 PROTECTION**

THIS WORK SHALL BE PERFORMED IN ACCORDANCE WITH  
 SECTION 653 FOR INLET PROTECTION DEVICE, TYPE I(PAY  
 ITEM 653.40).

REVISIONS		
MARCH 6, 2008	WHF	
JANUARY 13, 2009	WHF	

PROJECT NAME:	GRANVILLE
PROJECT NUMBER:	ER STP 013-4(40)
FILE NAME:	z12b520EPSC_Narrative.dgn
PLOT DATE:	7/8/2015
PROJECT LEADER:	J. TUCKER
DRAWN BY:	B. BRESLEND
DESIGNED BY:	B. BRESLEND
CHECKED BY:	E. ANDREWS
EPSC DETAILS SHEET 2	SHEET 80 OF 141