

16 STA. 56+40.54 LT 19.0' TO
 STA. 56+38.17 RT 29.0'
 REPLACE EXISTING 18" CMP
 WITH NEW 24" CPEP (SL)
 LENGTH = 48'-0"
 CONSTRUCT NEW HEADWALL PER STD. D-33
 PROPOSED INV. IN = 1202.00'
 PROPOSED INV. OUT = 1200.56'

TEMPORARY 4 INCH WHITE LINE, PAINT
 STA. 53+75.00 - STA. 59+50.00 (SOLID LT & RT)

TEMPORARY 4 INCH YELLOW LINE, PAINT
 STA. 53+75.00 - STA. 59+50.00 (SOLID LT & RT)

DURABLE 4 INCH WHITE LINE (SEE OPTION ITEMS)
 STA. 53+75.00 - STA. 59+50.00 (SOLID LT & RT)

DURABLE 4 INCH YELLOW LINE (SEE OPTION ITEMS)
 STA. 53+75.00 - STA. 59+50.00 (SOLID LT & RT)

REMOVAL AND DISPOSAL OF GUARDRAIL
 STA. 53+75.00 - STA. 59+50.00 RT

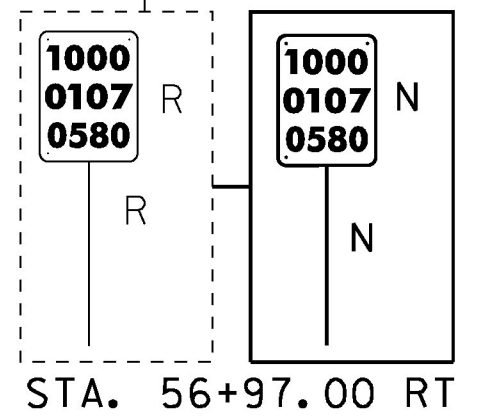
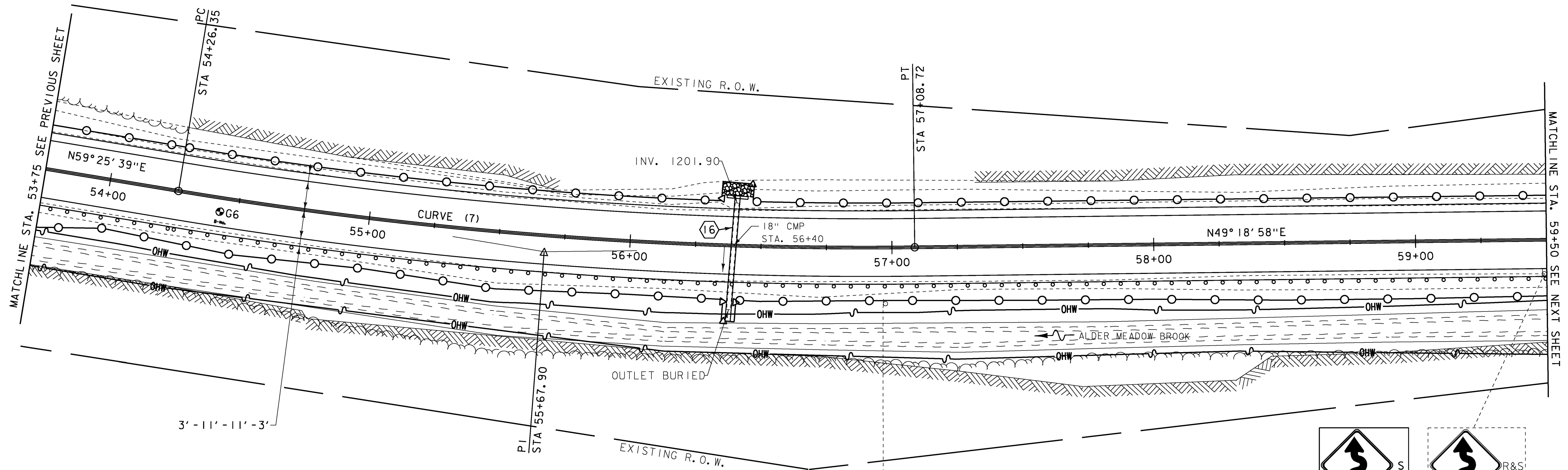
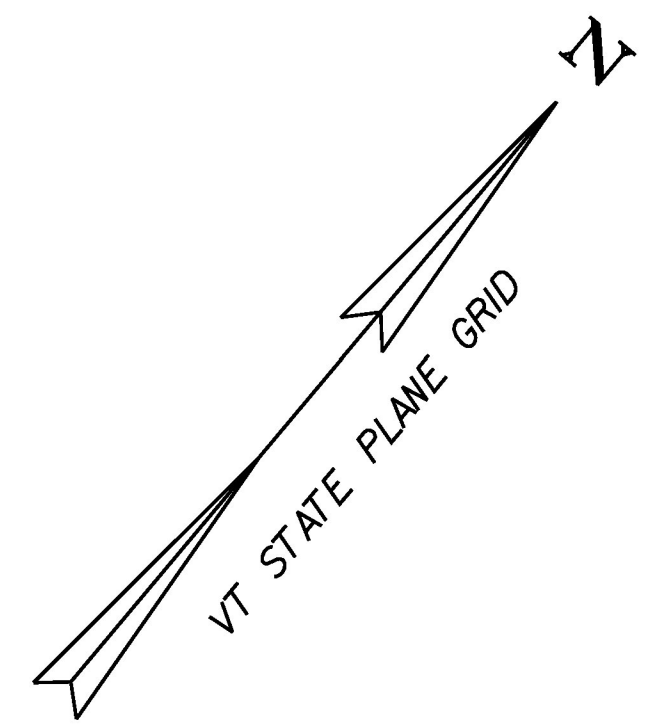
STEEL BEAM GUARDRAIL, GALVANIZED
 STA. 55+25.00 - STA. 59+50.00 RT

STEEL BEAM GUARDRAIL, GALVANIZED W/8 FEET POSTS
 STA. 53+75.00 - STA. 55+25.00 RT

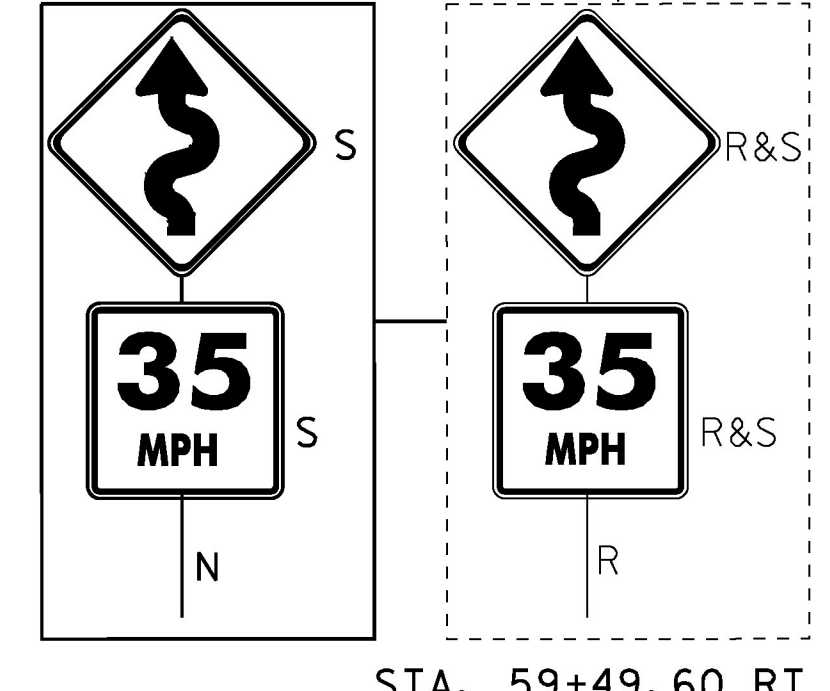
REMOVING SIGNS
 AS SHOWN - 3

ERECTING SALVAGED SIGNS
 AS SHOWN - 2

STONE FILL, TYPE I
 STA. 56+35.00 - STA. 56+47.00 LT



CURVE (7)
 DELTA = 10°06'42"
 D = 3°34'52"
 R = 1600.00'
 T = 141.55'
 L = 282.37'
 E = 6.25'



SIGN LEGEND
 R = REMOVE
 R&S = REMOVE AND SALVAGE
 RET = RETAIN
 S = SALVAGED
 N = NEW
 B-B = BACK TO BACK
 --- = EXISTING
 — = NEW



PROJECT NAME: GRANVILLE
 PROJECT NUMBER: ER STP 013-4 (40)

z12b520bdr.dgn
 PROJECT LEADER: J. TUCKER
 DESIGNED BY: B. BRESLEND
 PROJECT LAYOUT SHEET 11

PLOT DATE: 7/8/2015
 DRAWN BY: B. BRESLEND
 CHECKED BY: J. TUCKER
 SHEET 35 OF 141