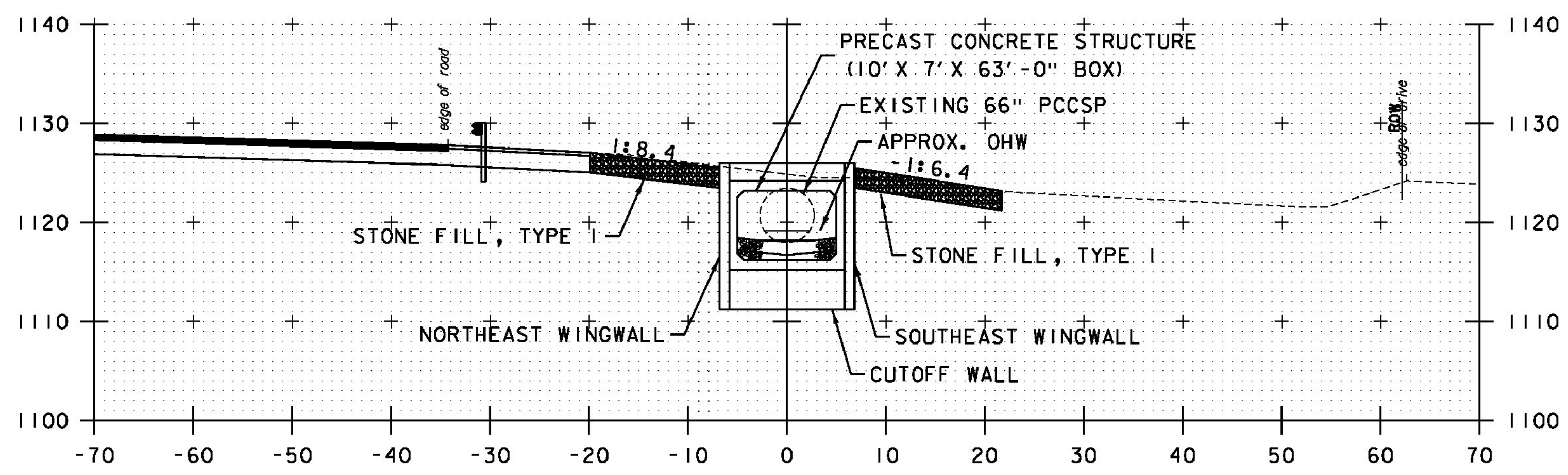
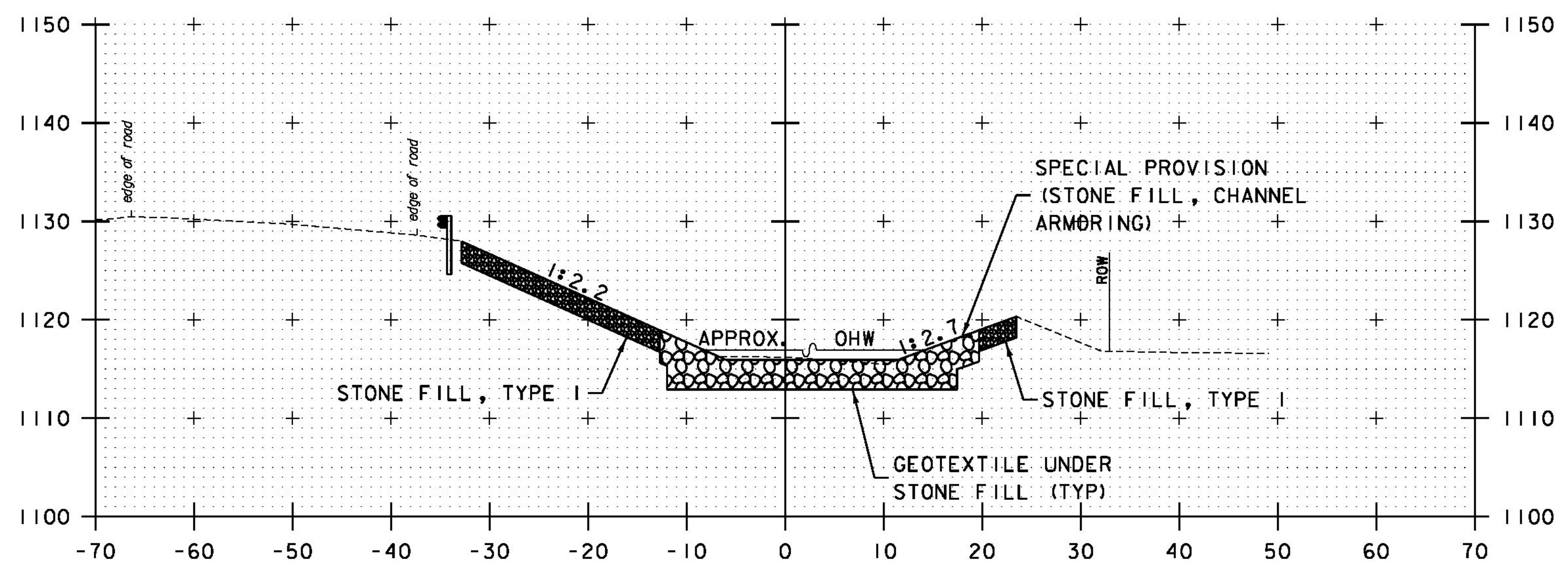


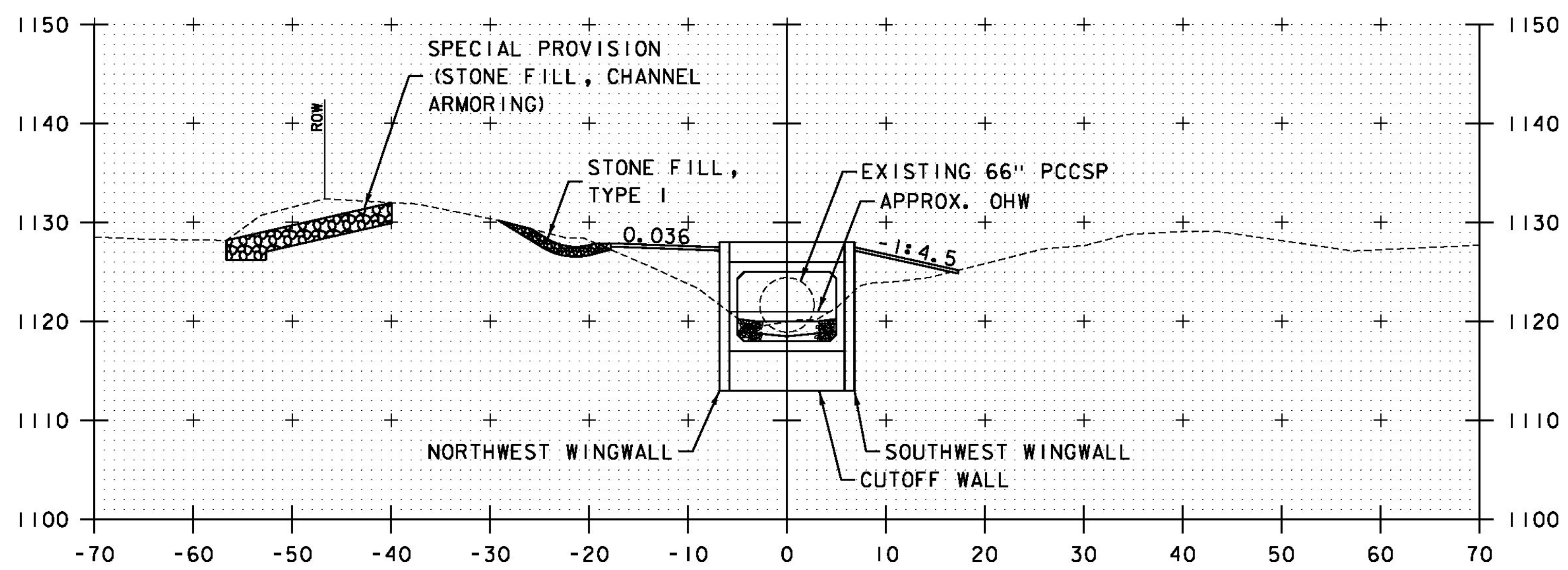
5+50



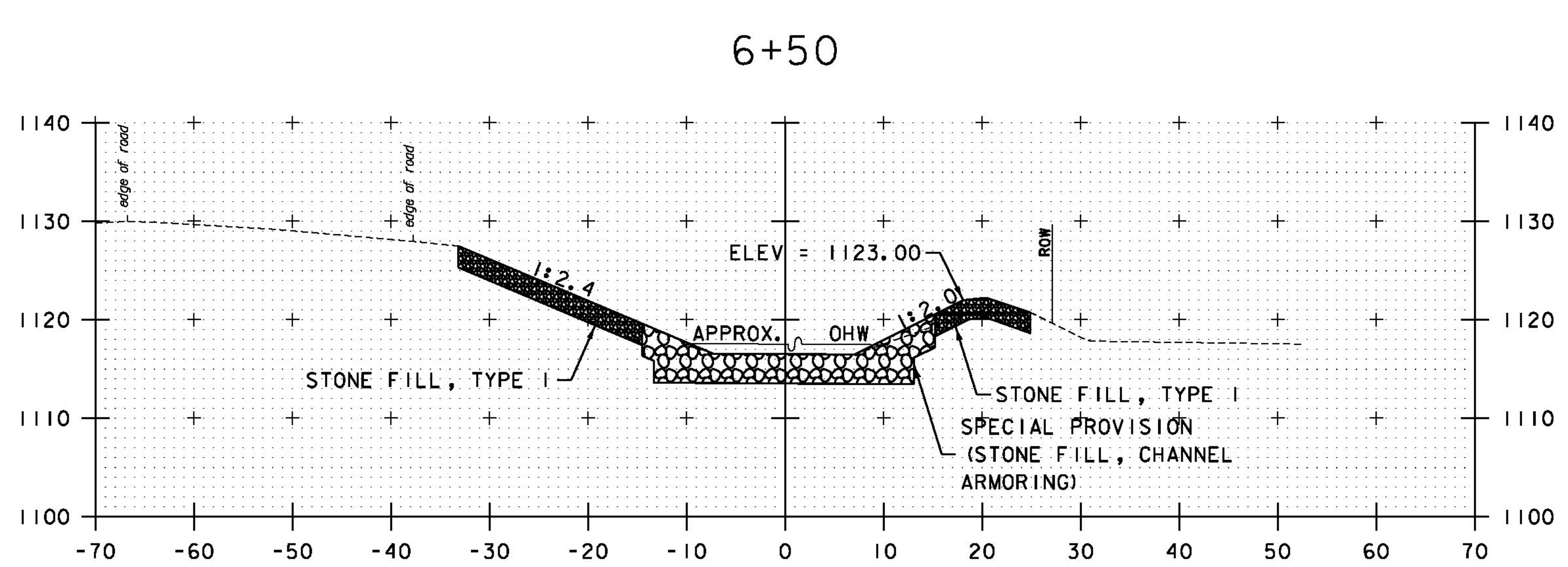
5+09.84
DOWNSTREAM CULVERT FACE



6+50



4+46.84
UPSTREAM CULVERT FACE



6+00

STA. 4+46.84 TO STA. 6+50

PROJECT NAME:	JAMAICA	PLOT DATE:	02/27/2015
PROJECT NUMBER:	ER STP 013-2(12)	DRAWN BY:	C. MORIN
FILE NAME:	Z12B474xsl.dgn	DESIGNED BY:	T. BIGELOW
PROJECT LEADER:	E. ATKINS	CHECKED BY:	E. ATKINS
CROSS SECTION SHEET 5		SHEET	41 OF 48