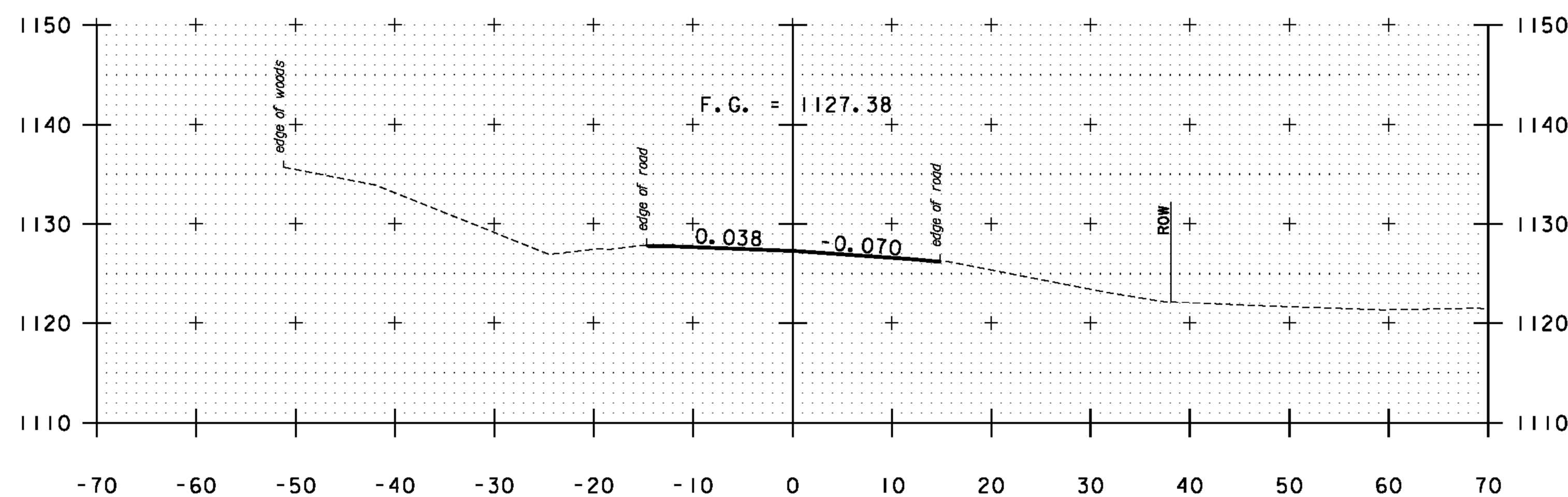
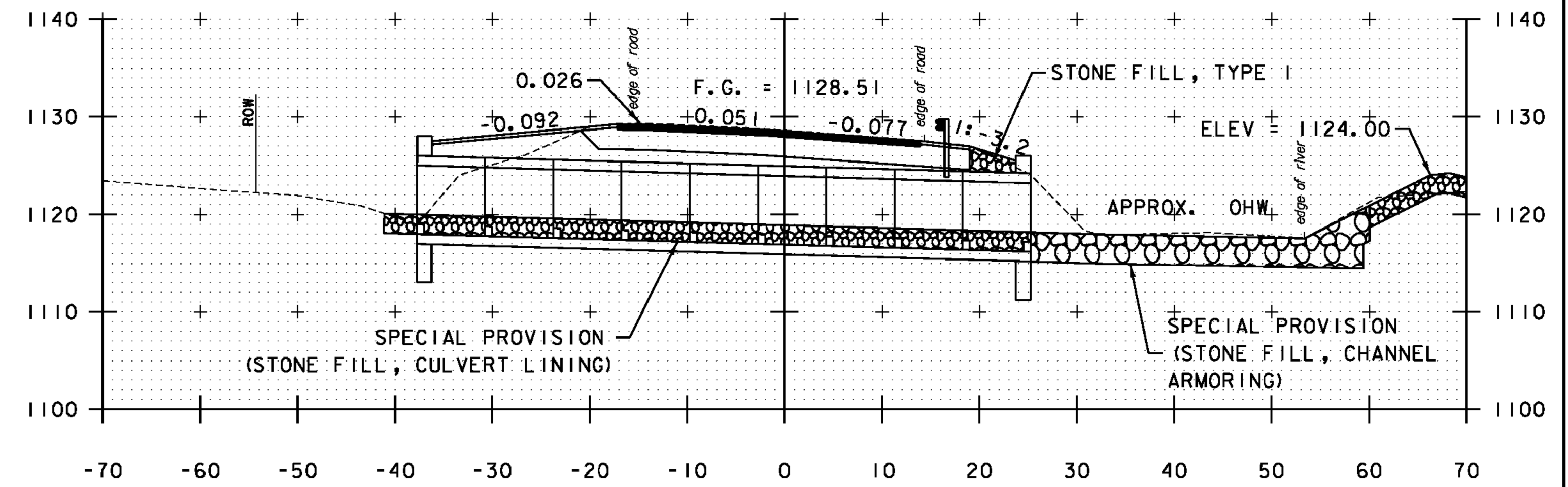


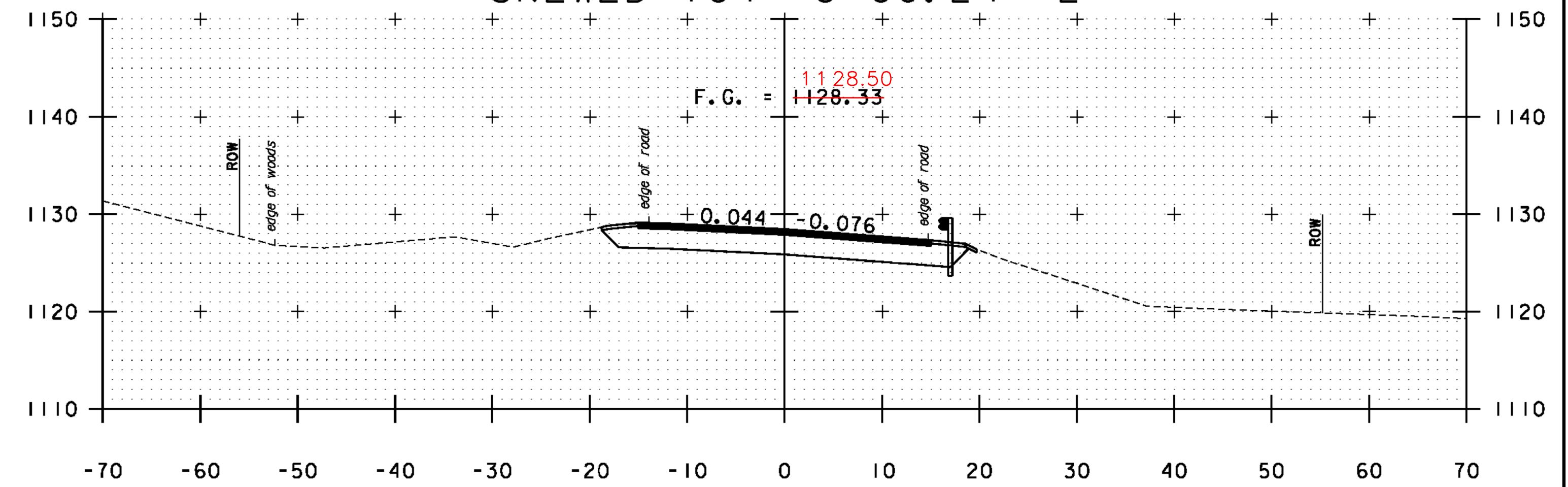
11+00
END APPROACH
BEGIN PROJECT



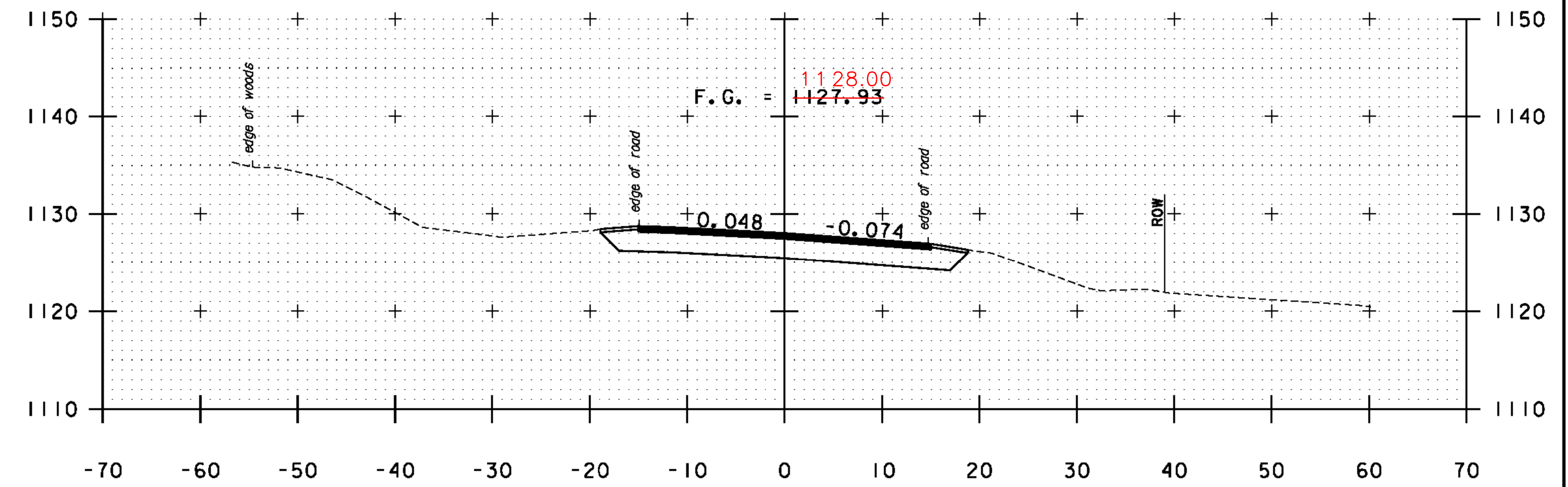
10+50
BEGIN APPROACH @ 10+37.50
MATCH EXISTING BCP



12+32.46 10' x 7' BOX CULVERT
SKEWED 104° 8' 00.24" L



12+00



11+50

STA. 10+50 TO STA. 12+32.46

PROJECT NAME:	JAMAICA	PLOT DATE:	02/27/2015
PROJECT NUMBER:	ER STP 013-2(12)	DRAWN BY:	C. MORIN
FILE NAME:	Z12B474xsl.dgn	DESIGNED BY:	T. BIGELOW
PROJECT LEADER:	E. ATKINS	CHECKED BY:	E. ATKINS
CROSS SECTION SHEET 1			SHEET 37 OF 48