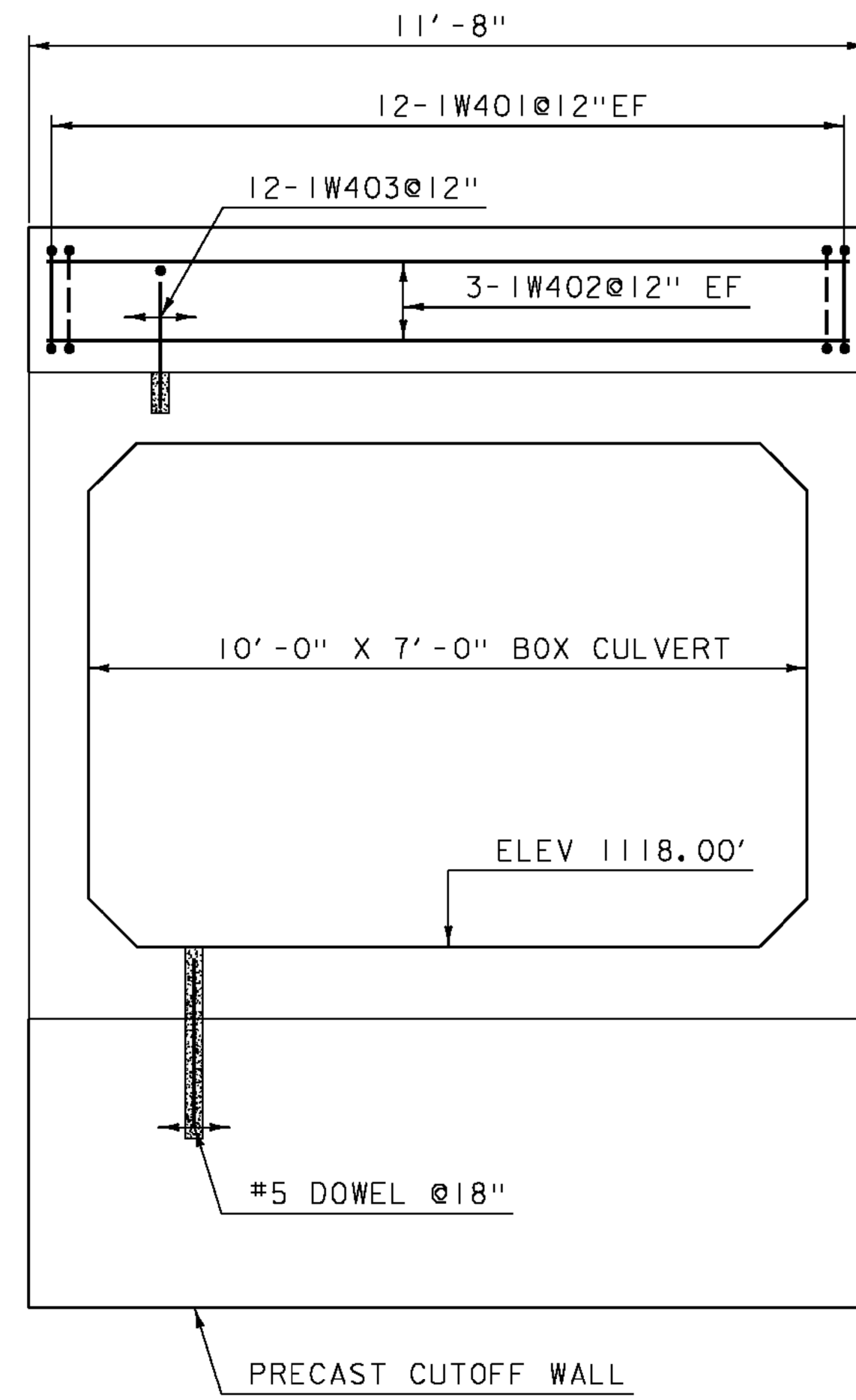
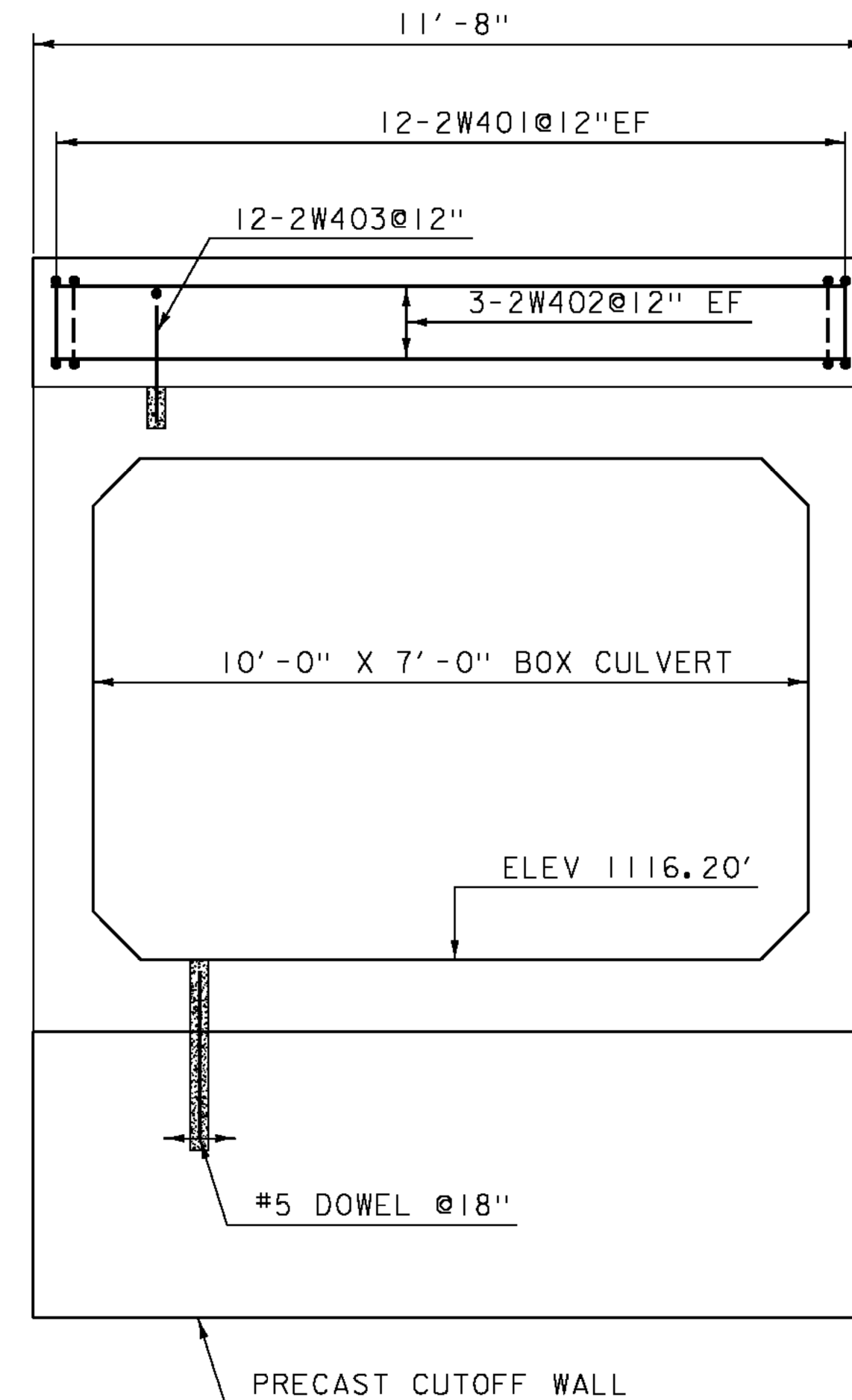


SEE CHANGE ORDER #1

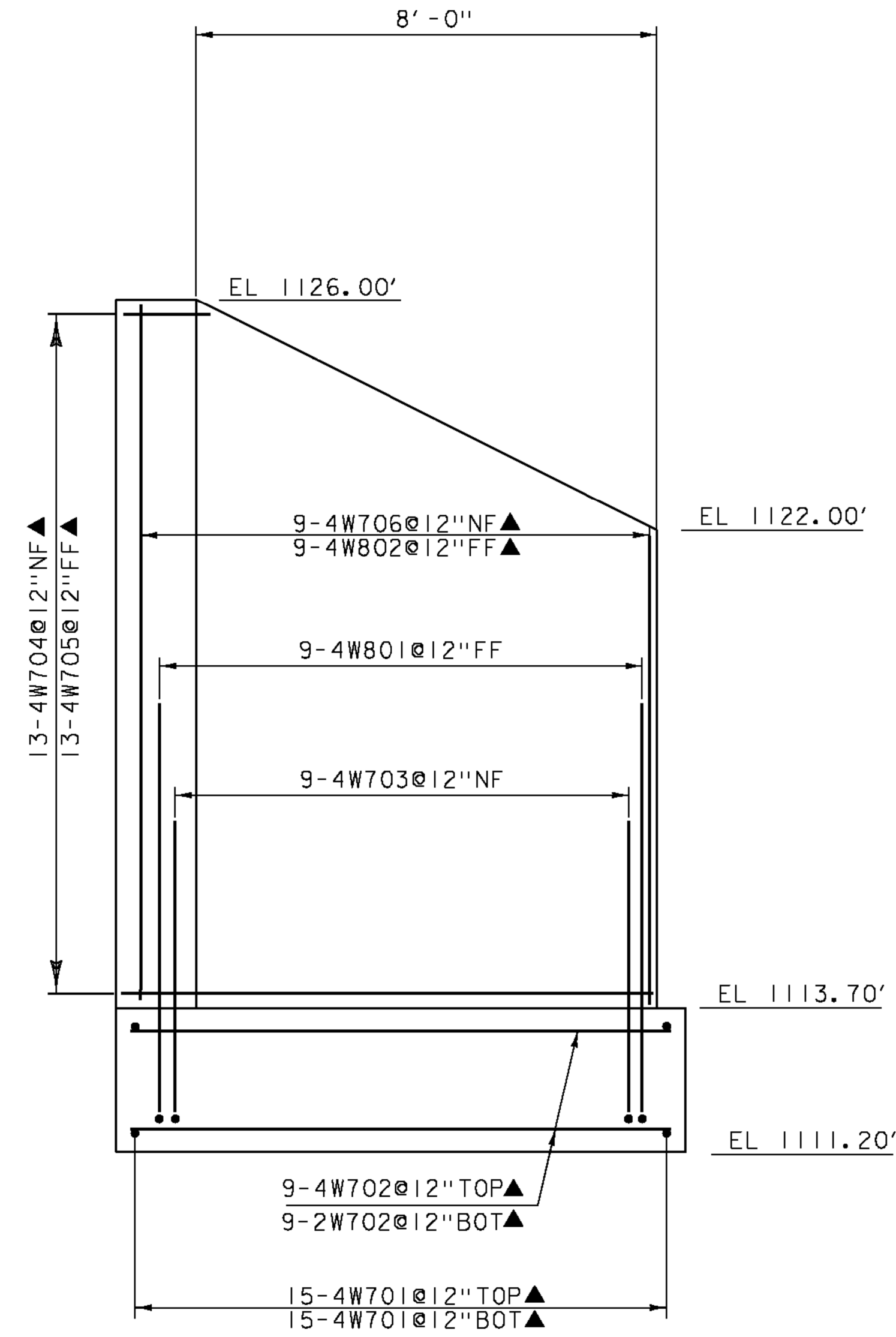
SEE ATTACHED SHOP DRAWINGS  
FOR PRECAST WINGWALL DETAILS  
AND HEADWALL DETAILS



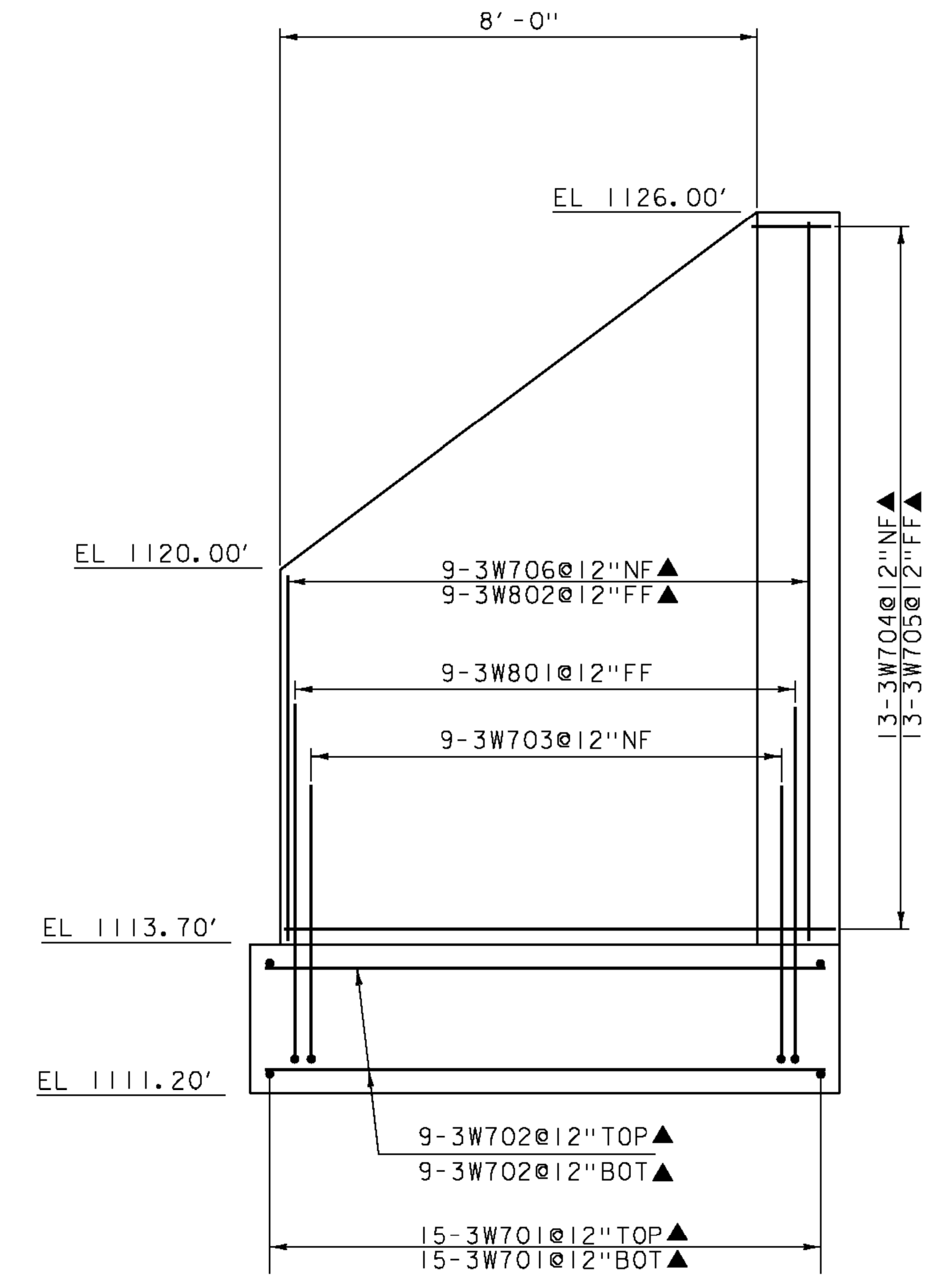
WEST ELEVATION  
SCALE 1/2"=1'



EAST ELEVATION  
SCALE 1/2"=1'



WINGWALL 4 ELEVATION  
SCALE 1/2"=1'



WINGWALL 3 ELEVATION  
SCALE 1/2"=1'

PROJECT NAME: JAMAICA  
PROJECT NUMBER: ER STP 013-2(12)

FILE NAME: z12b474det2.dgn  
PROJECT LEADER: E. ATKINS  
DESIGNED BY: B. KHALIFA  
PLOT DATE: 02/27/2015  
DRAWN BY: S. SOLLA  
CHECKED BY: B. KHALIFA  
WALL AND FOOTING DETAILS SHEET 2(BR 82) SHEET 33 OF 48