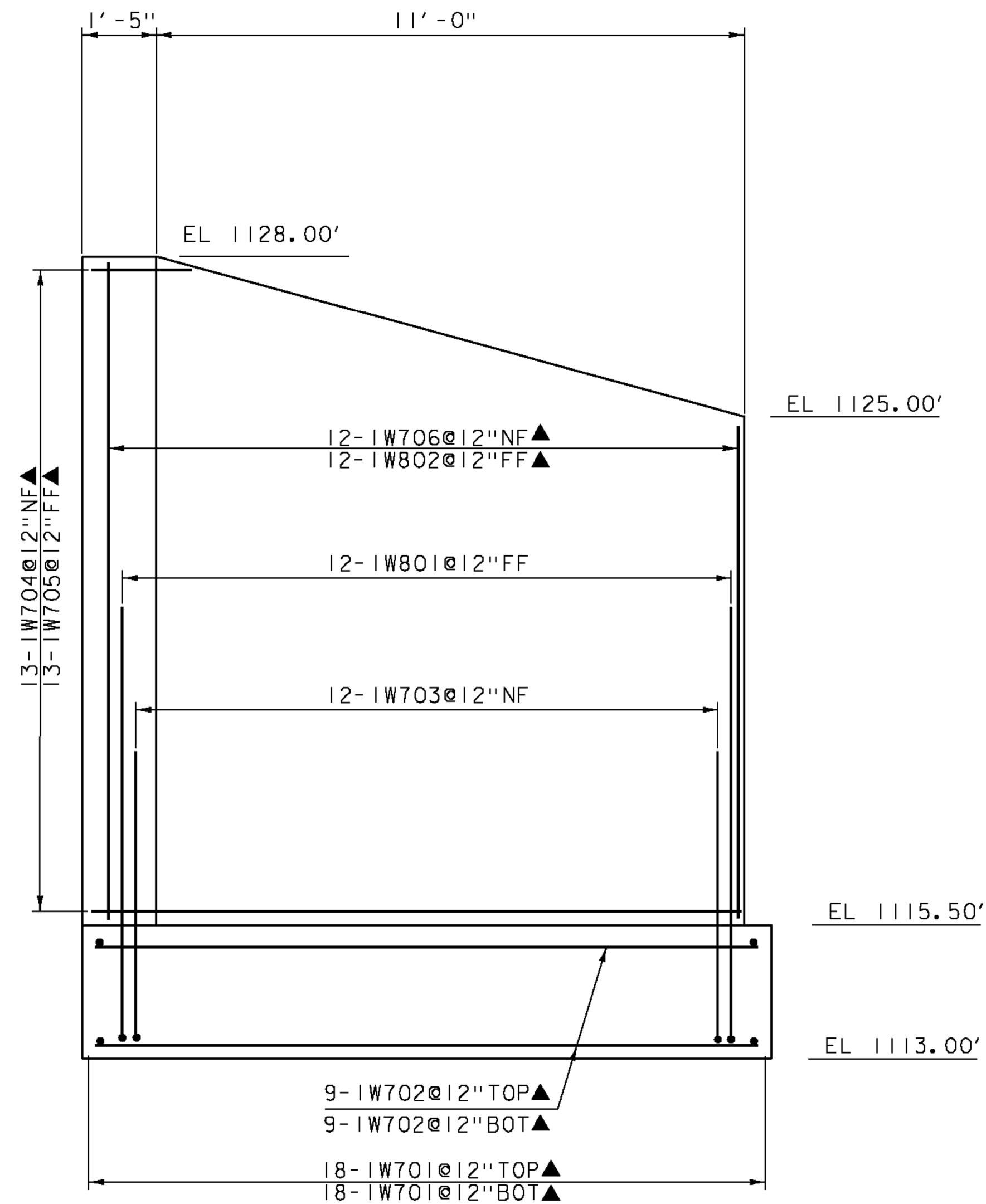


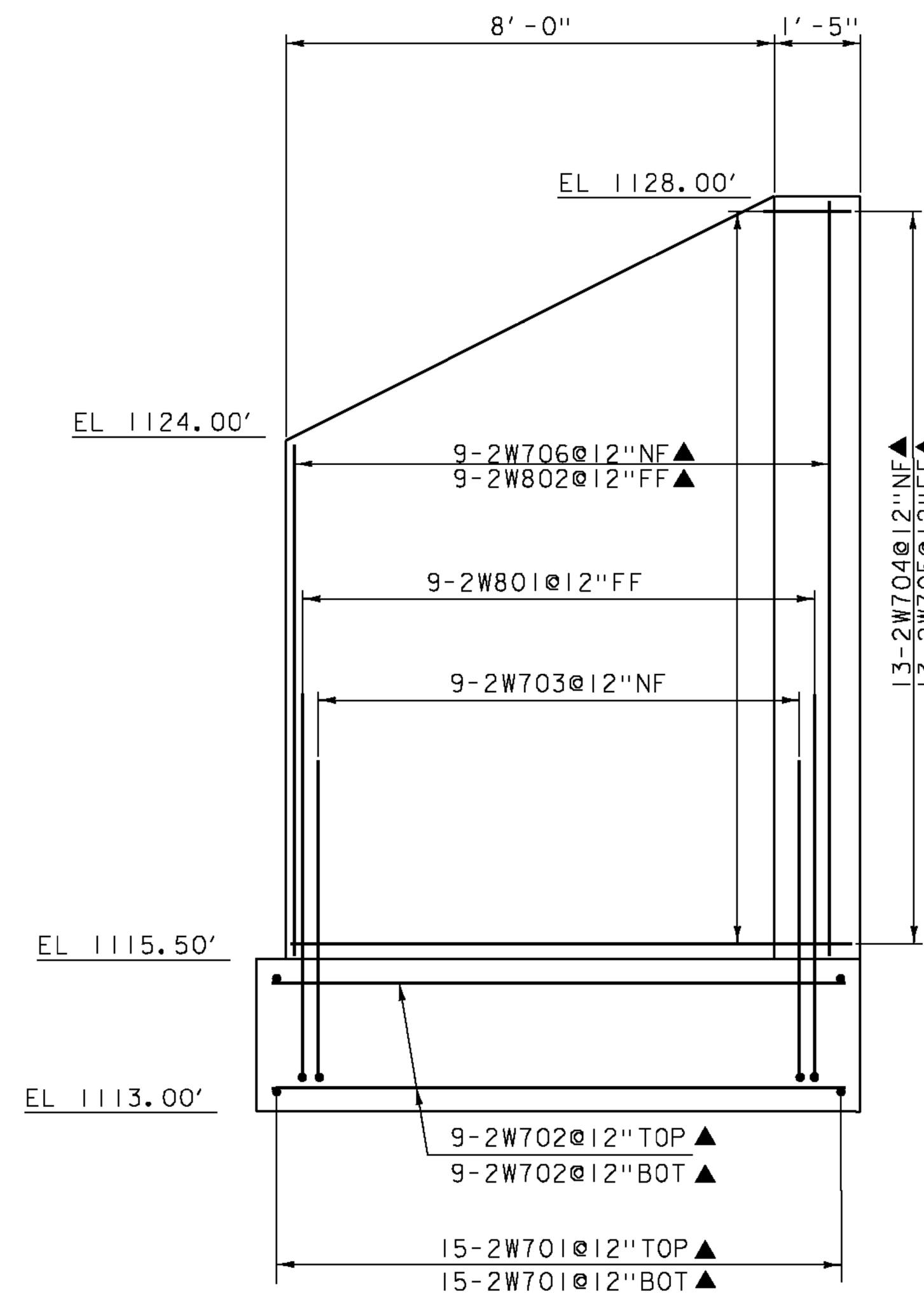
SEE CHANGE ORDER #1

SEE ATTACHED SHOP DRAWINGS FOR PRECAST WINGWALL DETAILS



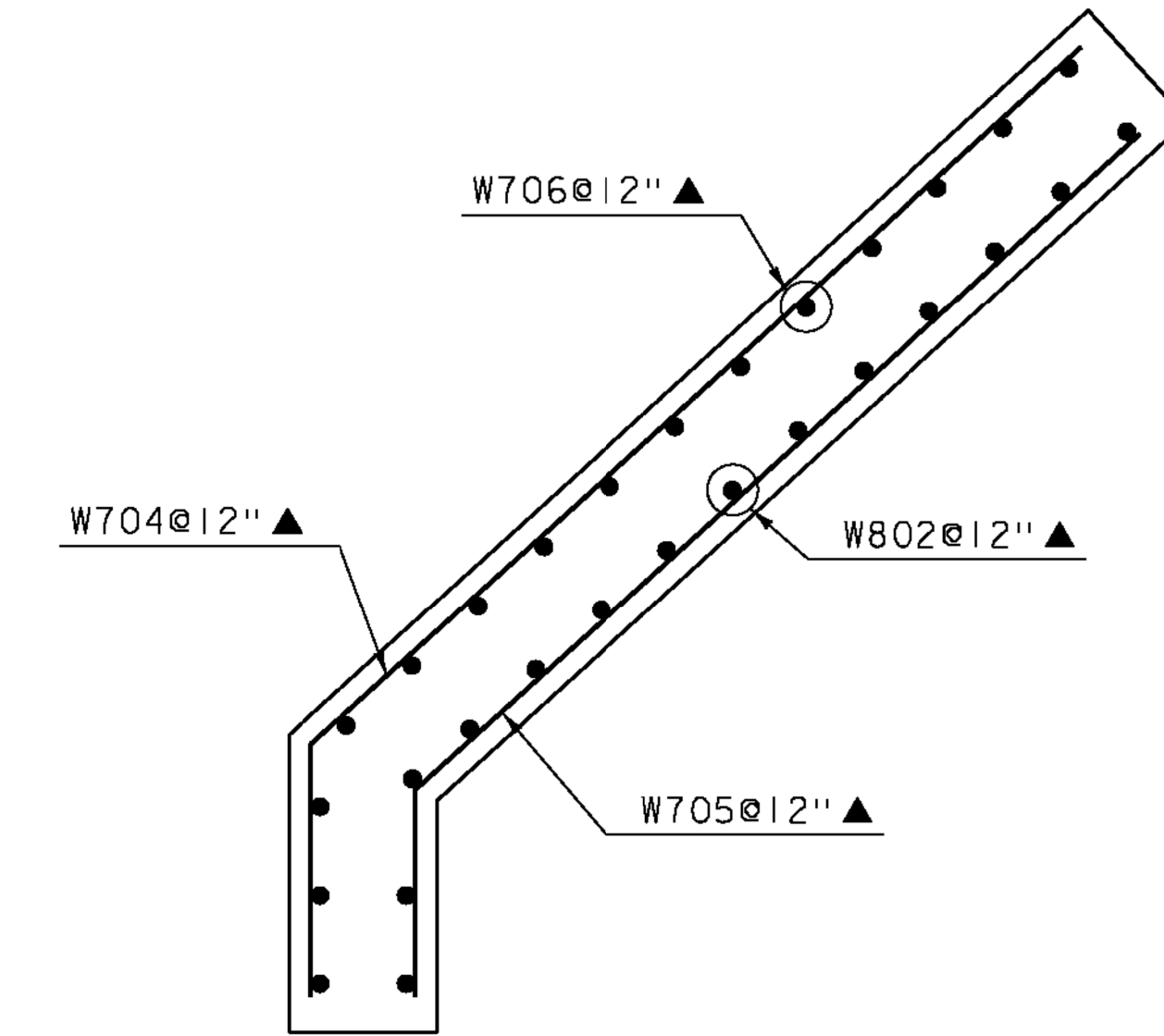
WINGWALL 1 ELEVATION

SCALE 1/2"=1'



WINGWALL 2 ELEVATION

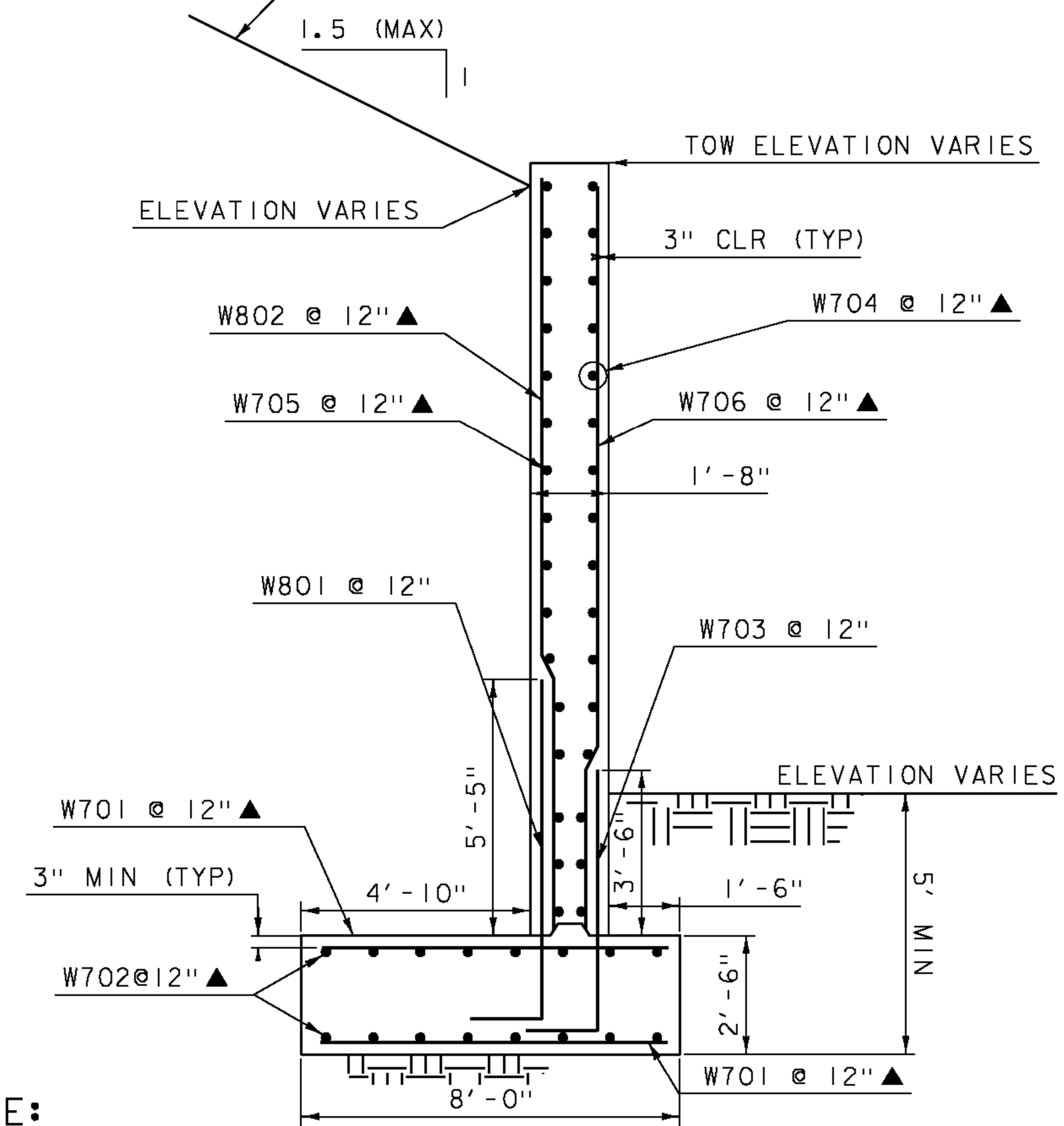
SCALE 1/2"=1'



WINGWALL CORNER
 DETAIL

SCALE 1/2"=1'

FINISHED GRADE
 SEE SHEET 18 FOR SURFACE TREATMENT



WINGWALL SECTION

SCALE 3/8"=1'

NOTE:

- NF = NEAR FACE
- FF = FAR FACE
- EF = EACH FACE
- ▲ = CUT TO FIT IN FIELD
- 3" CLEAR, UNLESS OTHERWISE SPECIFIED ON THE PLANS.
- 2'-2" BAR LAP UNLESS OTHERWISE SPECIFIED ON THE PLANS.

PROJECT NAME: JAMAICA
 PROJECT NUMBER: ER STP 013-2(12)

FILE NAME: z12b474det2.dgn
 PROJECT LEADER: E. ATKINS
 DESIGNED BY: B. KHALIFA
 PLOT DATE: 02/27/2015
 DRAWN BY: S. SOLLA
 CHECKED BY: B. KHALIFA
 WALL AND FOOTING DETAILS SHEET 1(BR 82) SHEET 32 OF 48