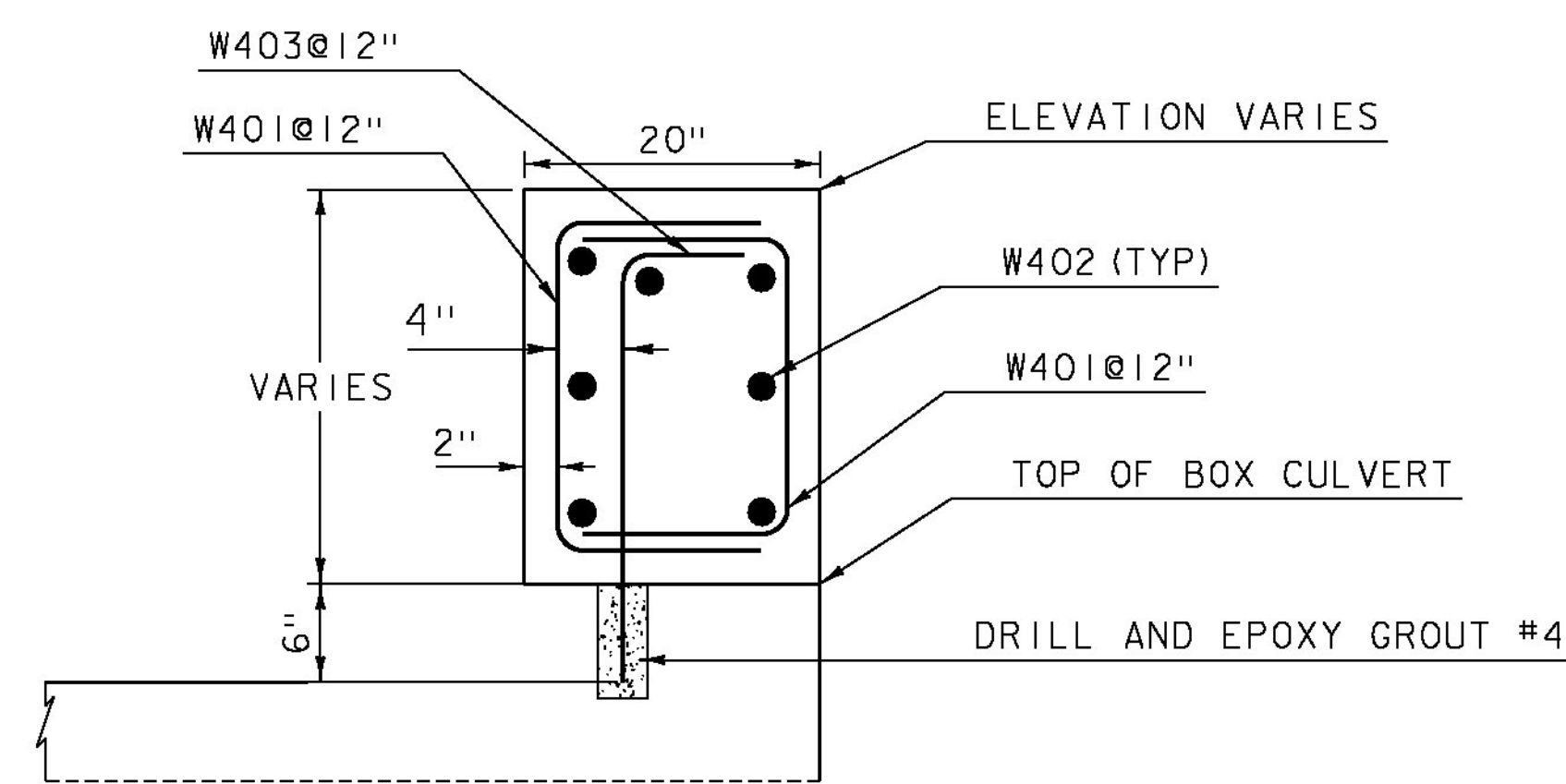


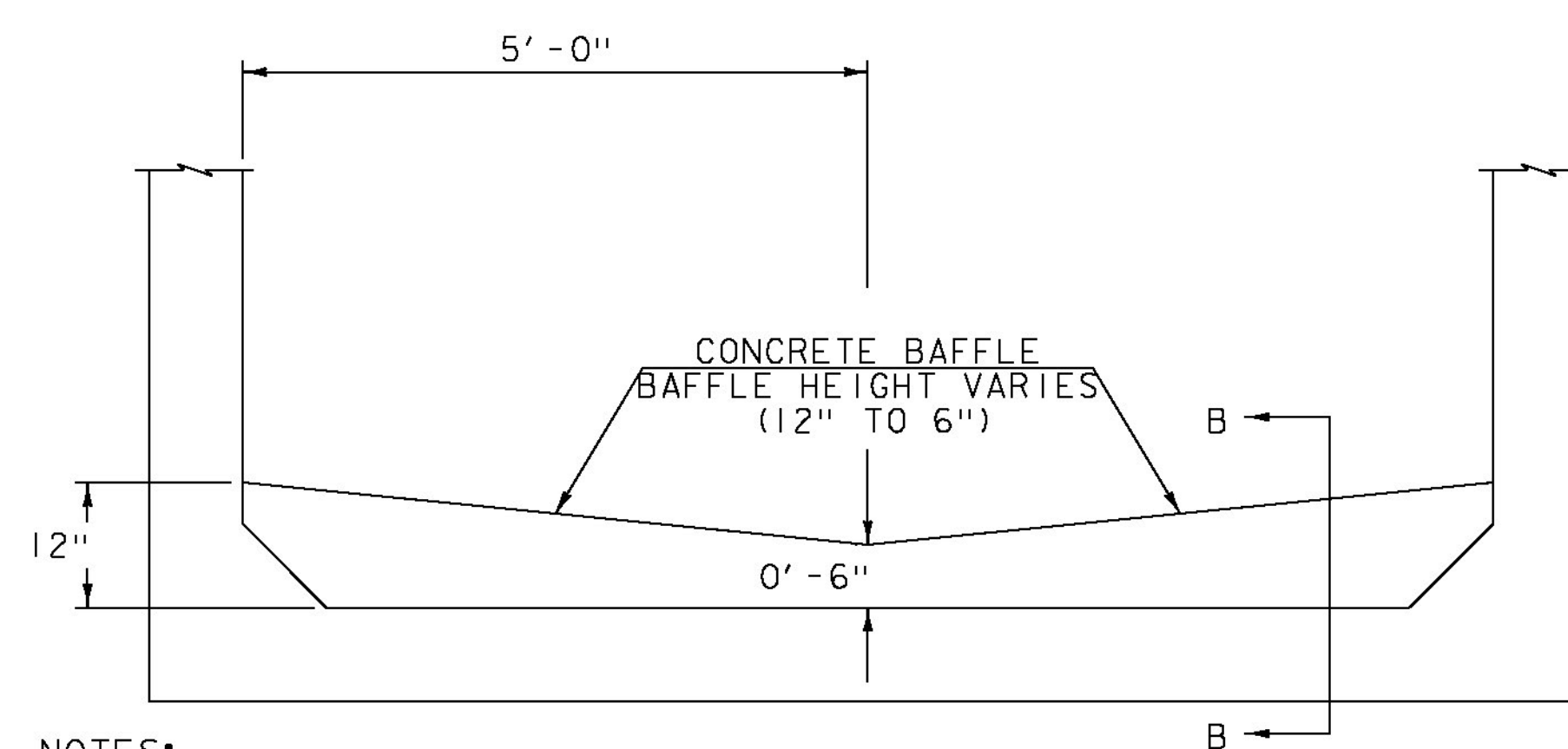
PRECAST CONCRETE BOX CULVERT
TYPICAL SECTION - BR 82

SCALE: 3/4" = 1'-0"



SECTION A-A
HEADWALL DETAIL

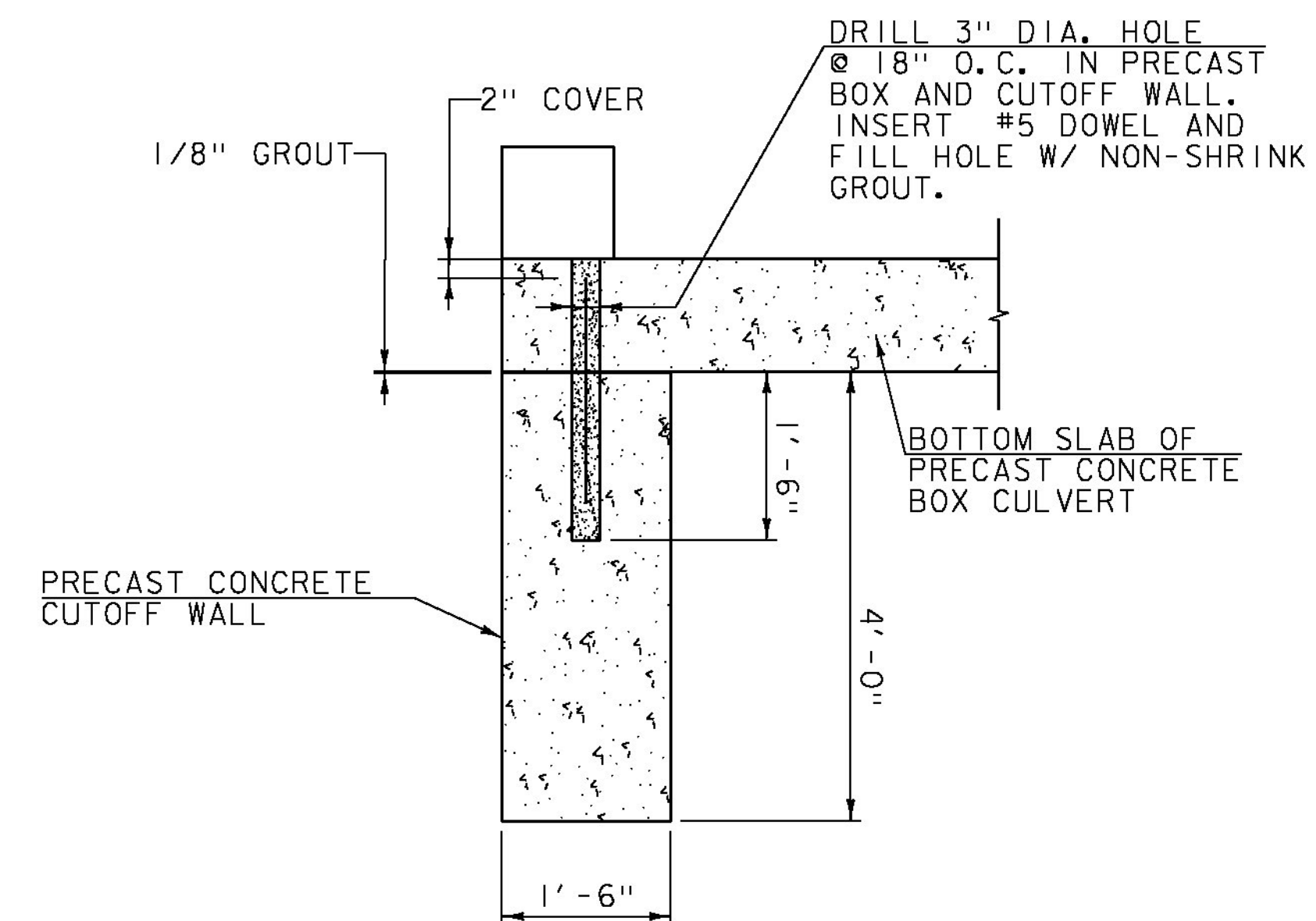
SCALE 1" = 1'



NOTES:

1. BAFFLES SHALL BE 12" DEEP (MAX).
2. BAFFLES TO BE PLACED EVERY 7' INCLUDING AT THE INLET AND OUTLET.

PRECAST CONCRETE BAFFLE DETAIL
NOT TO SCALE

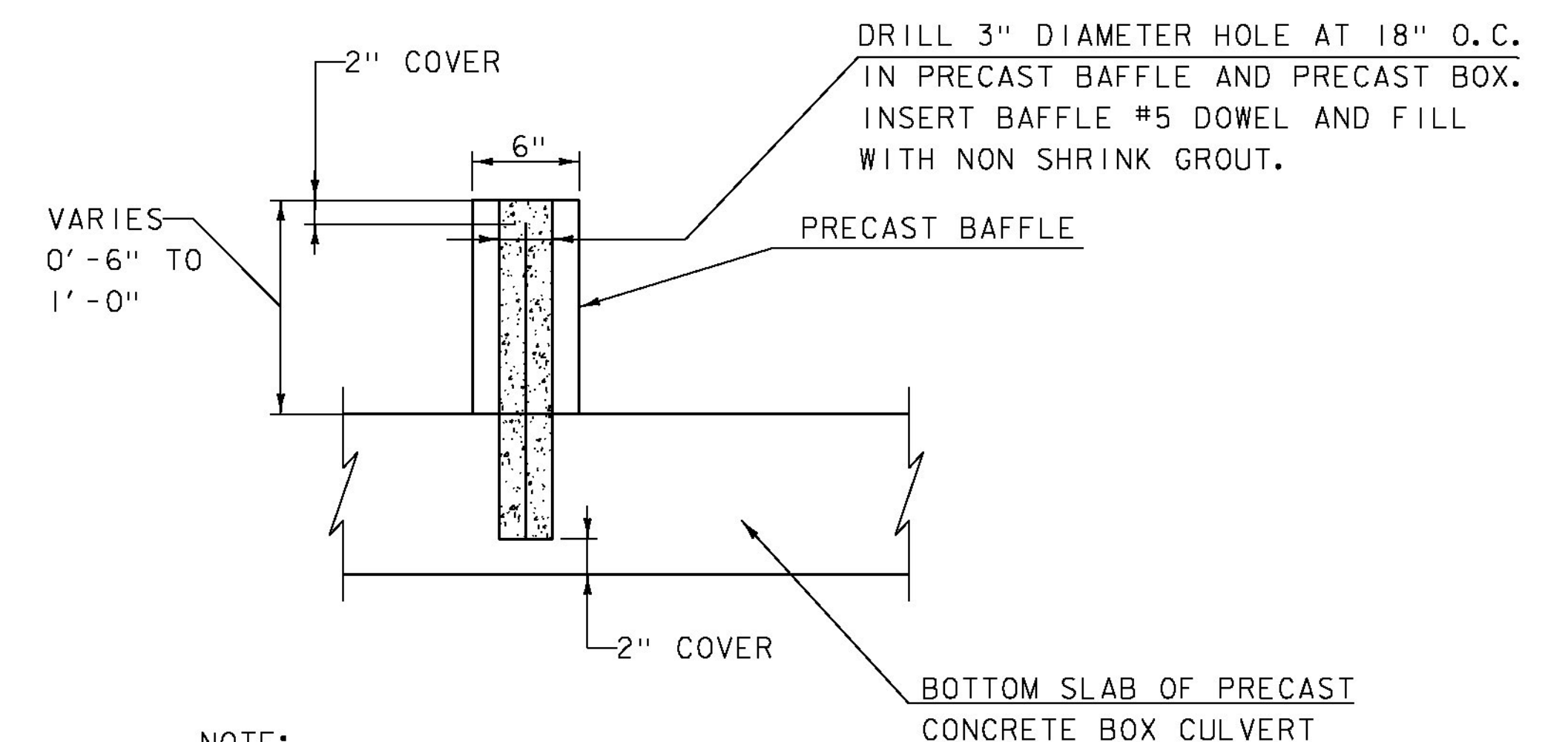


NOTES:

1. PAYMENT FOR CUTOFF WALL CONCRETE, REINFORCING STEEL, DOWEL AND NON-SHRINK GROUT SHALL BE MADE UNDER ITEM 540.10 PRECAST CONCRETE STRUCTURE (10'-0" x 7'-0" x 63'-0" BOX).

CUTOFF WALL DETAIL

SCALE: 3/4" = 1'-0"



NOTE:

- PAYMENT FOR BAFFLE AND #5 DOWEL WILL BE CONSIDERED INCIDENTAL TO ITEM 540.10, PRECAST CONCRETE STRUCTURE (10'-0" x 7'-0" x 63'-0" BOX).

SECTION B-B
BAFFLE DETAIL

SCALE 1/2" = 1'-0"

NOTE:

- NF = NEAR FACE
- FF = FAR FACE
- EF = EACH FACE
- ▲ = CUT TO FIT IN FIELD
- 3" CLEAR, UNLESS OTHERWISE SPECIFIED ON THE PLANS.
- 2'-2" BAR LAP UNLESS OTHERWISE SPECIFIED ON THE PLANS.

PROJECT NAME: JAMAICA
PROJECT NUMBER: ER STP 013-2(12)

FILE NAME: z12b474typ.dgn
PROJECT LEADER: E. ATKINS
DESIGNED BY: M. BRADLEY
TYPICAL SECTIONS AND DETAILS (BR 82)

PLOT DATE: 02/27/2015
DRAWN BY: S. SOLLA
CHECKED BY: E. ATKINS
SHEET 31 OF 48