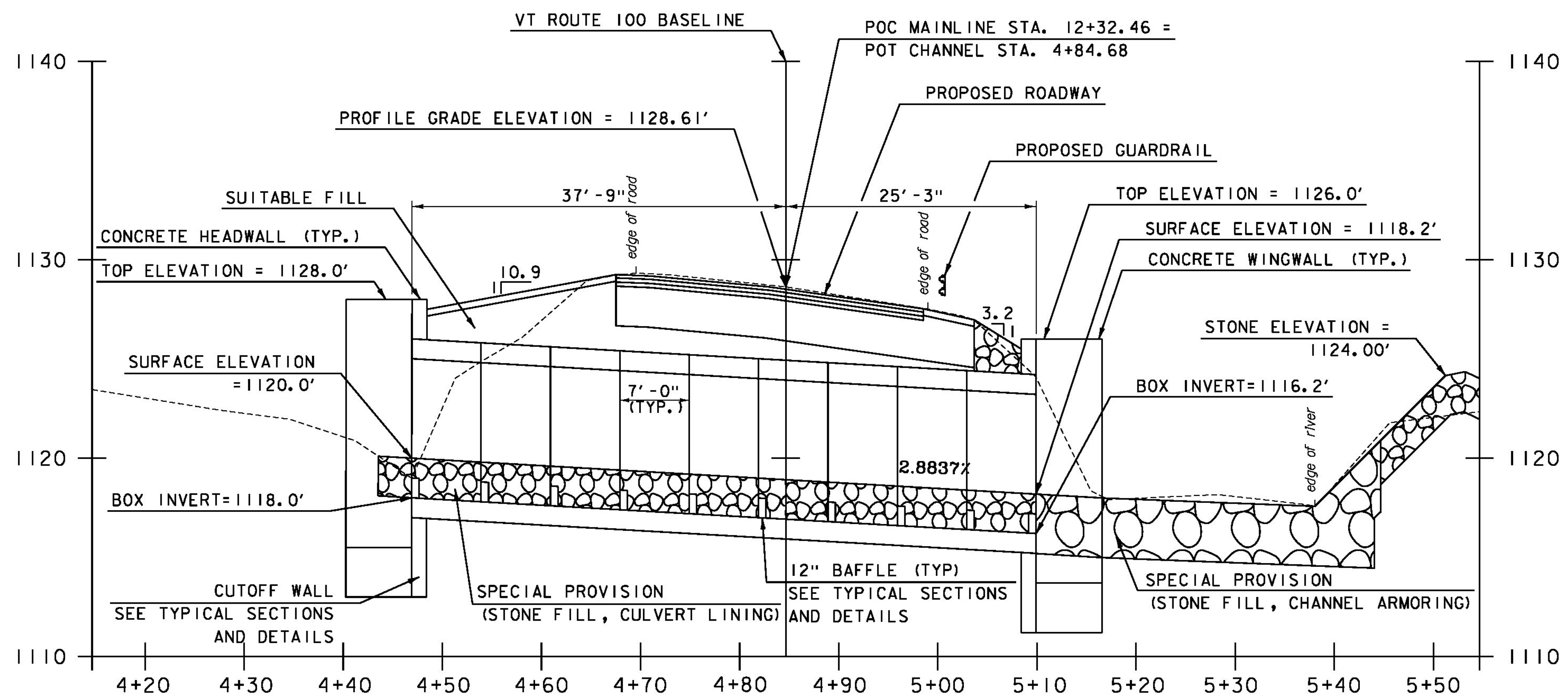


GENERAL PLAN

SCALE: 1" = 20' - 0"



SKEWED SECTION AT CENTER LINE CULVERT

SCALE: 1/8" = 1' - 0"

FOR CONTINUATION SEE  
PLAN SHEET

FOR CONTINUATION SEE  
PLAN SHEET

PROJECT NAME: JAMAICA  
PROJECT NUMBER: ER STP 013-2(12)

FILE NAME: z12b474det.dgn  
PROJECT LEADER: E. ATKINS  
DESIGNED BY: M. BRADLEY  
PLAN AND ELEVATION SHEET (BR 82)

PLOT DATE: 02/27/2015  
DRAWN BY: M. BRADLEY  
CHECKED BY: E. ATKINS  
SHEET 28 OF 48