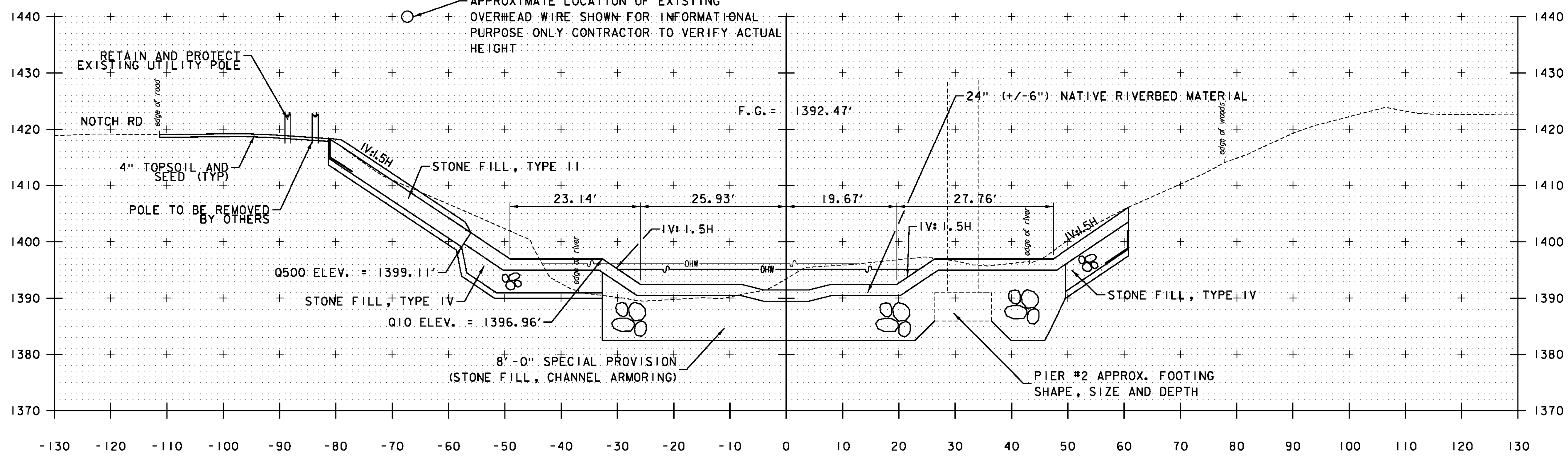


8+00



7+50

BUILT ESSENTIALLY AS SHOWN

NOTE: RESUME TYPE IV STONE FILL AT STA 7+50 RT

NOTE: THERE WAS NO TYPE II OR TYPE IV STONE FILL PLACED FROM STA 7+63 LT TO STA 8+14 LT BEHIND PIER 1

STA. 7+50 TO STA. 8+00

PROJECT NAME: WOODFORD	
PROJECT NUMBER: ER NH 010-1(47)	
FILE NAME: z12b402xsl.dgn	PLOT DATE: 12/03/2014
PROJECT LEADER: E. ATKINS	DRAWN BY: C. MORIN
DESIGNED BY: M. BRADLEY	CHECKED BY: E. ATKINS
CROSS SECTIONS SHEET 9	SHEET 32 OF 35

