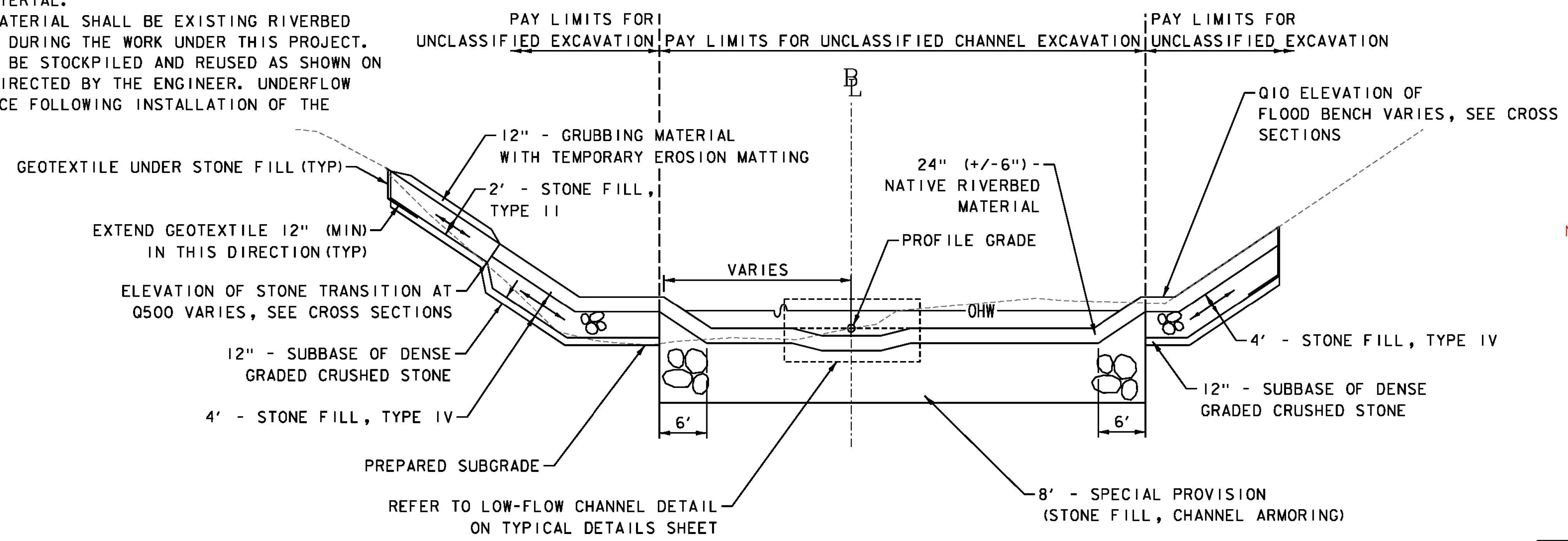


BUILT ESSENTIALLY AS SHOWN

GENERAL NOTES:

1. PRIOR TO PLACING MATERIALS, PREPARE SLOPE AND SUBGRADE AS FOLLOWS:
  - A. EXCAVATE VEGETATION AND ORGANIC SOILS FROM SURFACE OF SLOPE.
  - B. COMPACT SURFACE OF SLOPE (COMPACTION WITH EXCAVATOR BUCKET ACCEPTABLE).
  - C. PLACE MATERIALS AS SHOWN ON THE DETAILS.
2. PLACEMENT OF STONE SHALL BE IN ACCORDANCE WITH THE FOLLOWING:
  - A. STONE FILL SHALL BE CAREFULLY PLACED ON SLOPES TO CREATE A STABLE AND WELL-GRADED MIXTURE OF LARGE STONES AND SMALLER STONES WITHOUT LARGE VOIDS IN BETWEEN. VOIDS SHALL BE CHOKED WITH SMALLER STONES TO CREATE A MASS FREE OF LARGE VOIDS.
  - B. DUMPING OF STONE FILL AT THE TOP OF THE SLOPES AND ROLLING OR PUSHING INTO PLACE SHALL NOT BE PERMITTED.
  - C. PLATE COMPACTORS SHALL NOT BE USED IN THE PLACEMENT OF SPECIAL PROVISION (STONE FILL, CHANNEL ARMORING) OR THE NATIVE RIVERBED MATERIAL.
  - D. NATIVE RIVER BED MATERIAL SHALL BE EXISTING RIVERBED MATERIAL EXCAVATED DURING THE WORK UNDER THIS PROJECT. THE MATERIAL SHALL BE STOCKPILED AND REUSED AS SHOWN ON THE PLANS AND AS DIRECTED BY THE ENGINEER. UNDERFLOW SHALL NOT TAKE PLACE FOLLOWING INSTALLATION OF THE STREAMBED.

TYPICAL SECTION  
STA. 4+50.00-5+00.00  
NOT TO SCALE



NOTE: NO STONE FILL PLACED BEHIND PIERS. SEE CROSS SECTIONS FOR REVISED STATION LIMITS.

TYPICAL CHANNEL SECTION  
STA. 5+00.00-8+50.00  
NOT TO SCALE

PROJECT NAME:	WOODFORD	PLOT DATE:	12/03/2014
PROJECT NUMBER:	ER NH 010-1(47)	DRAWN BY:	C. MORIN
FILE NAME:	z12b402+yp.dgn	DESIGNED BY:	M. BRADLEY
PROJECT LEADER:	E. ATKINS	CHECKED BY:	E. ATKINS
TYPICAL SECTIONS SHEET			SHEET 4 OF 35