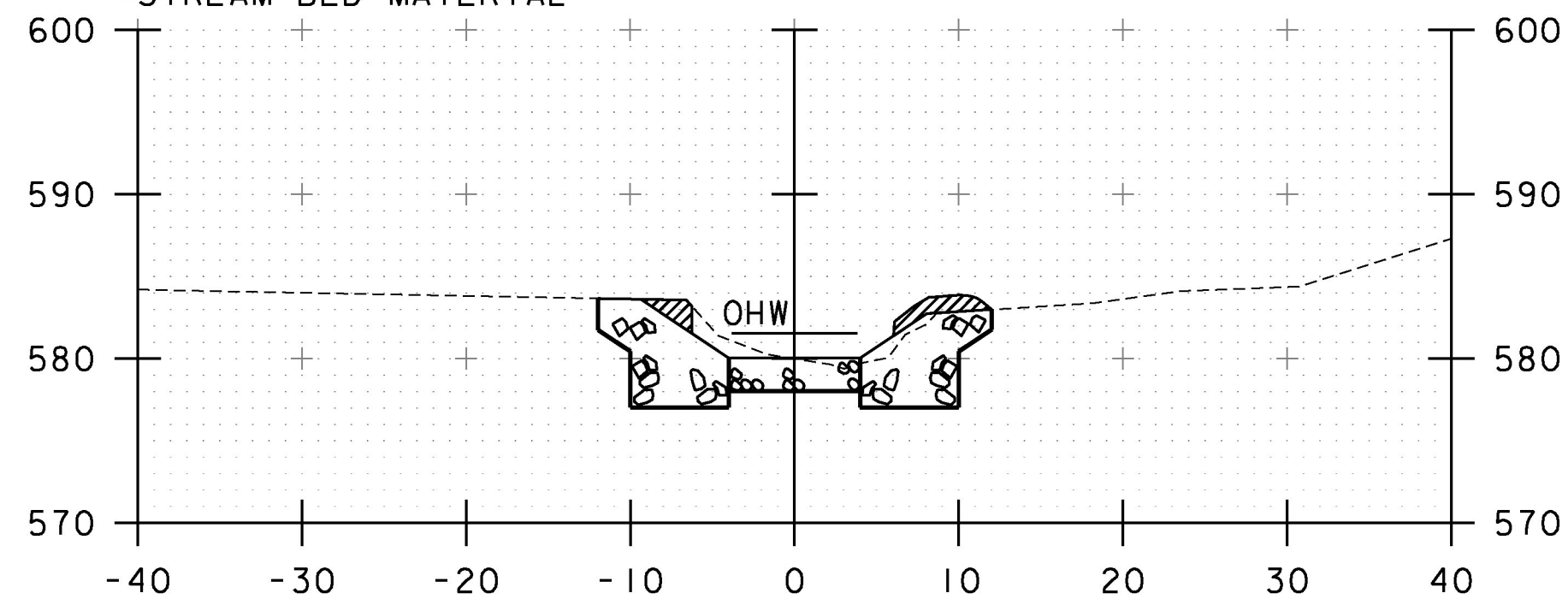
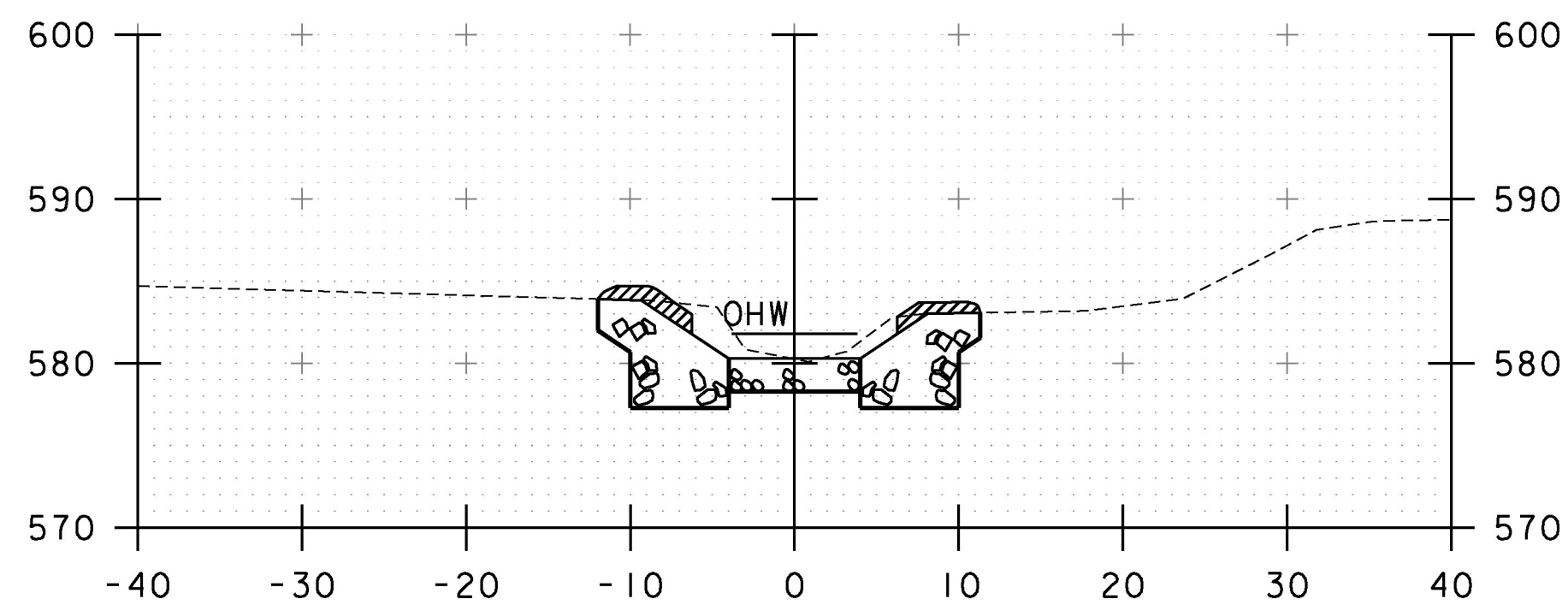


STA. 5+96.41  
 BEGIN BRIDGE  
 STOP STONE FILL STREAM 5+90  
 BED MATERIAL  
 UNCLASSIFIED CHANNEL EXCAVATION

~~STA. 5+86.35~~  
~~BEGIN STONE FILL~~  
~~STREAM BED MATERIAL~~

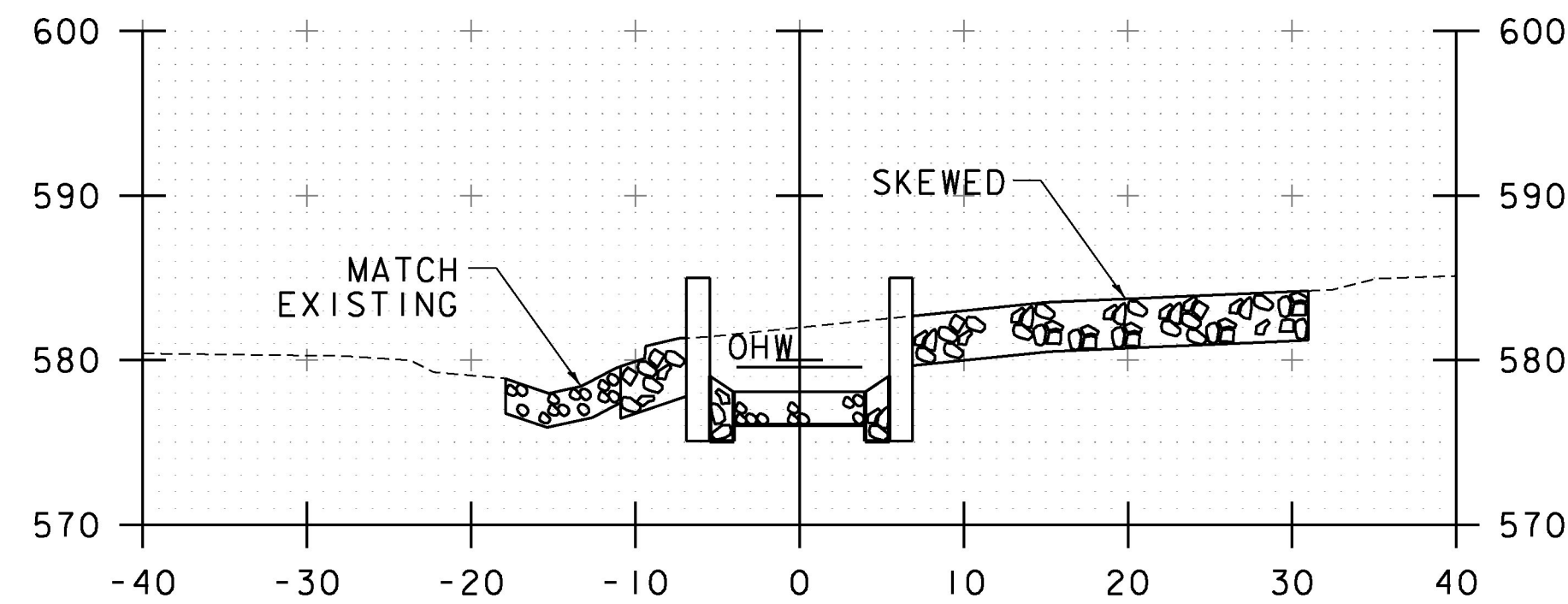


5+80



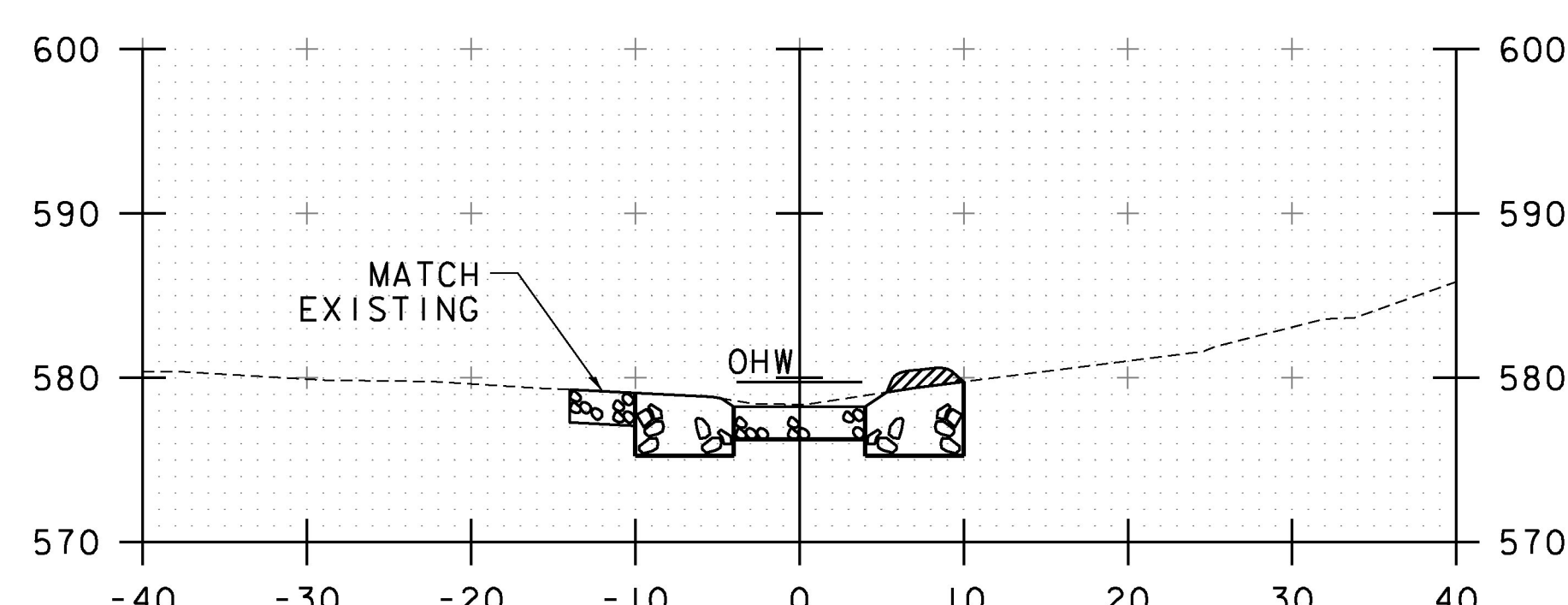
STA. 5+73.86 LT & RT  
 BEGIN UNCLASSIFIED CHANNEL EXCAVATION  
 GEOTEXTILE UNDER STONE FILL  
 STONE FILL, TYPE III  
 GRUBBING MATERIAL  
 BEGIN STONE FILL STREAM BED MATERIAL

5+74

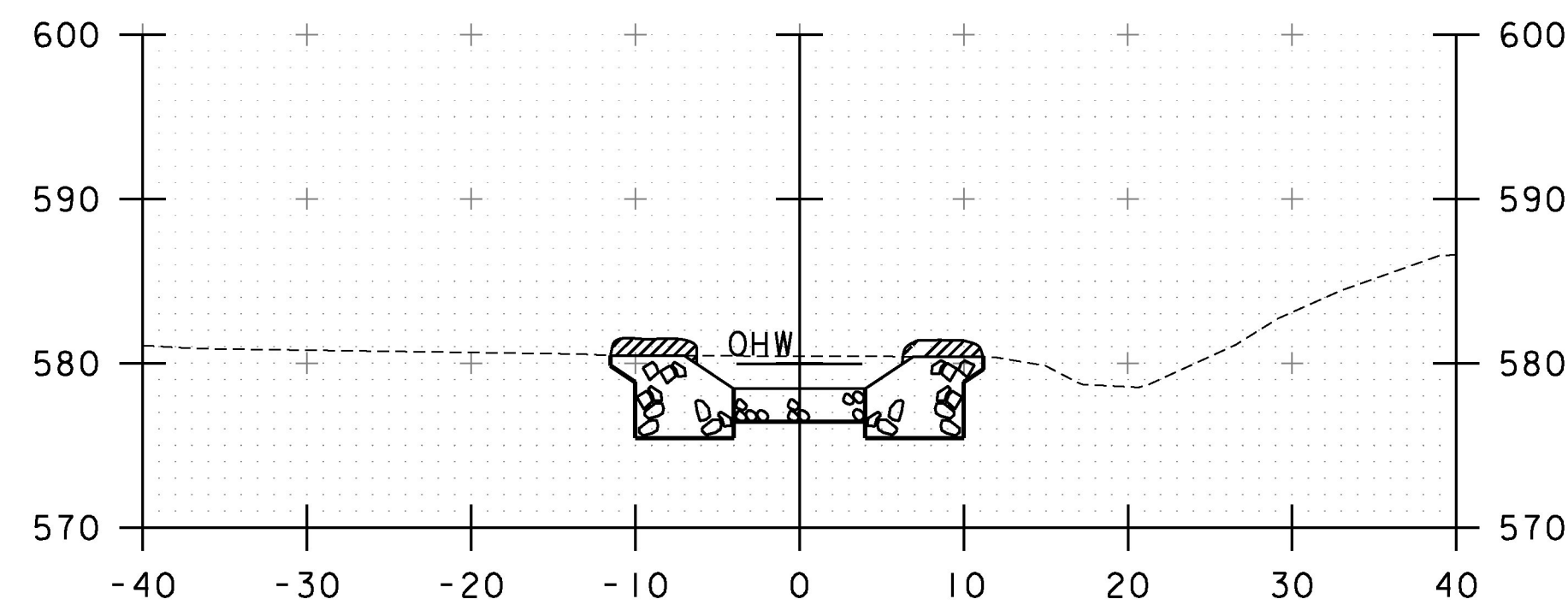


6+80

STA. 6+82.46  
 BEGIN BRIDGE  
 STOP STONE FILL STREAM  
 UNCLASSIFIED CHANNEL EXCAVATION

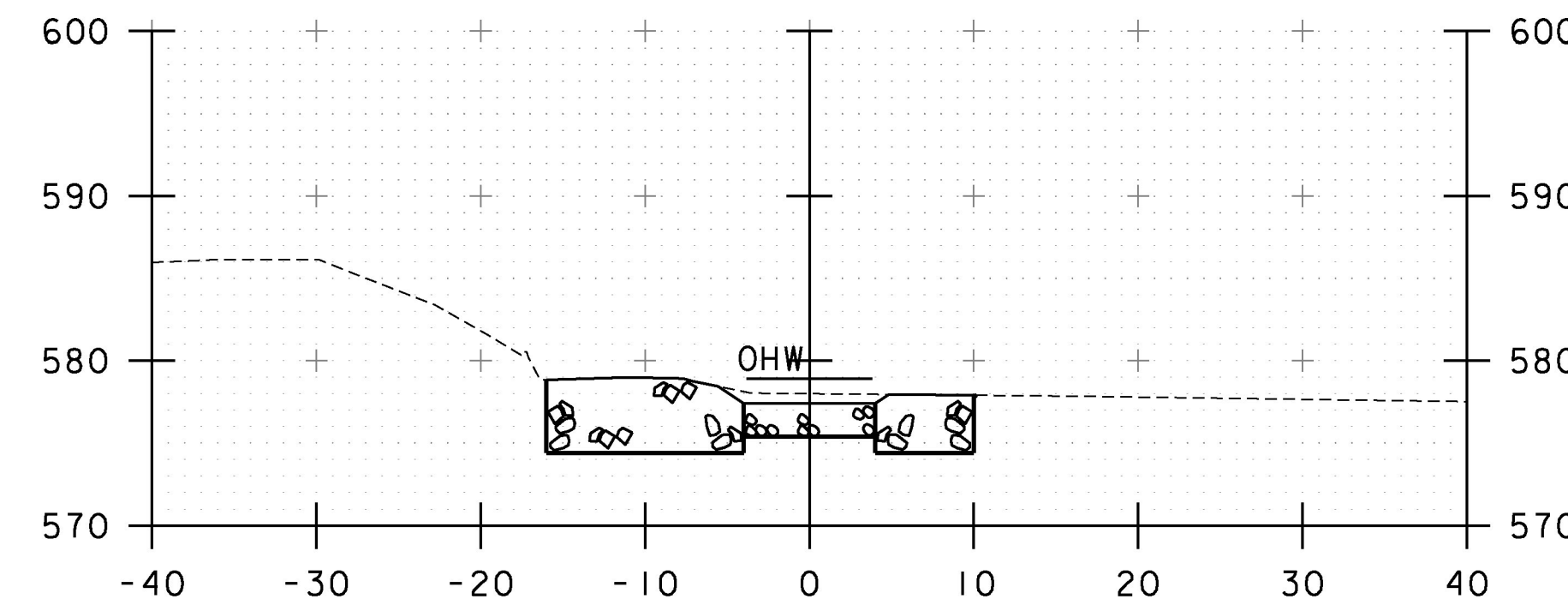


6+70

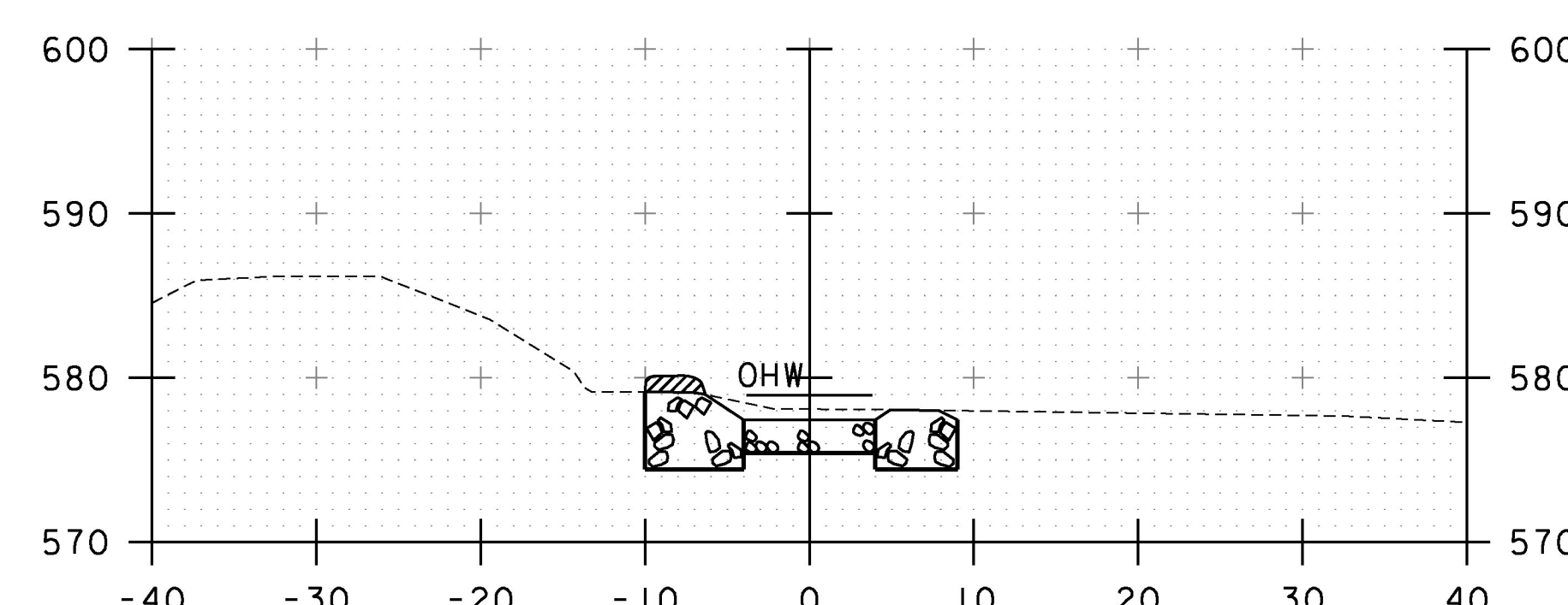


6+60

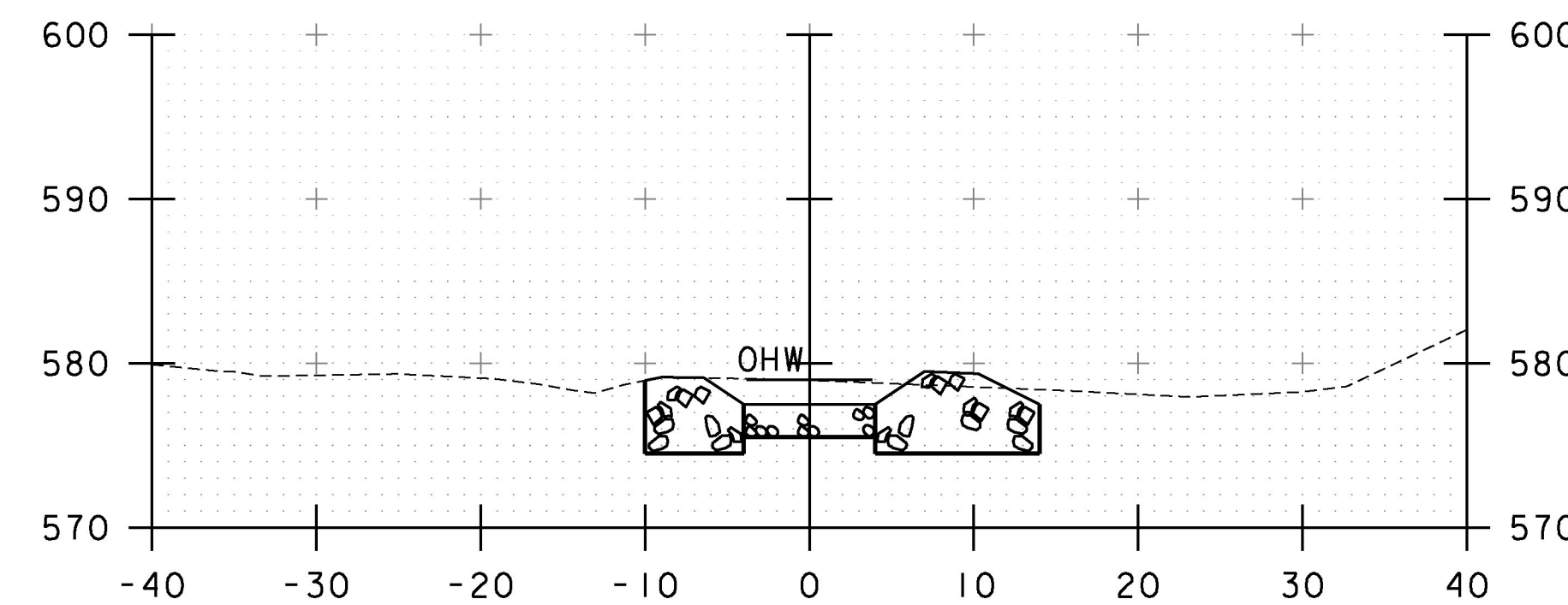
STA. 6+56.41  
 END BRIDGE  
 RESUME STONE FILL STREAM  
 BED MATERIAL  
 UNCLASSIFIED CHANNEL EXCAVATION



7+40

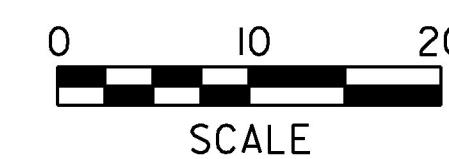


7+30



7+20

STA. 7+19.46  
 END BRIDGE  
 RESUME STONE FILL STREAM  
 UNCLASSIFIED CHANNEL EXCAVATION



SCALE

REFER TO TYPICAL FOR  
 SECTIONS WITHIN CULVERT



PROJECT NAME: WALLINGFORD  
 PROJECT NUMBER: ER CULV(39)

FILE NAME: ...drawing\z12b380\_xs.dgn  
 PROJECT LEADER: G. BOGUE  
 DESIGNED BY: T. KNIGHT  
 STREAM CROSS SECTIONS I

PLOT DATE: 6/16/2016  
 DRAWN BY: J. SOTER  
 CHECKED BY: N. TIRK  
 SHEET 27 OF 36