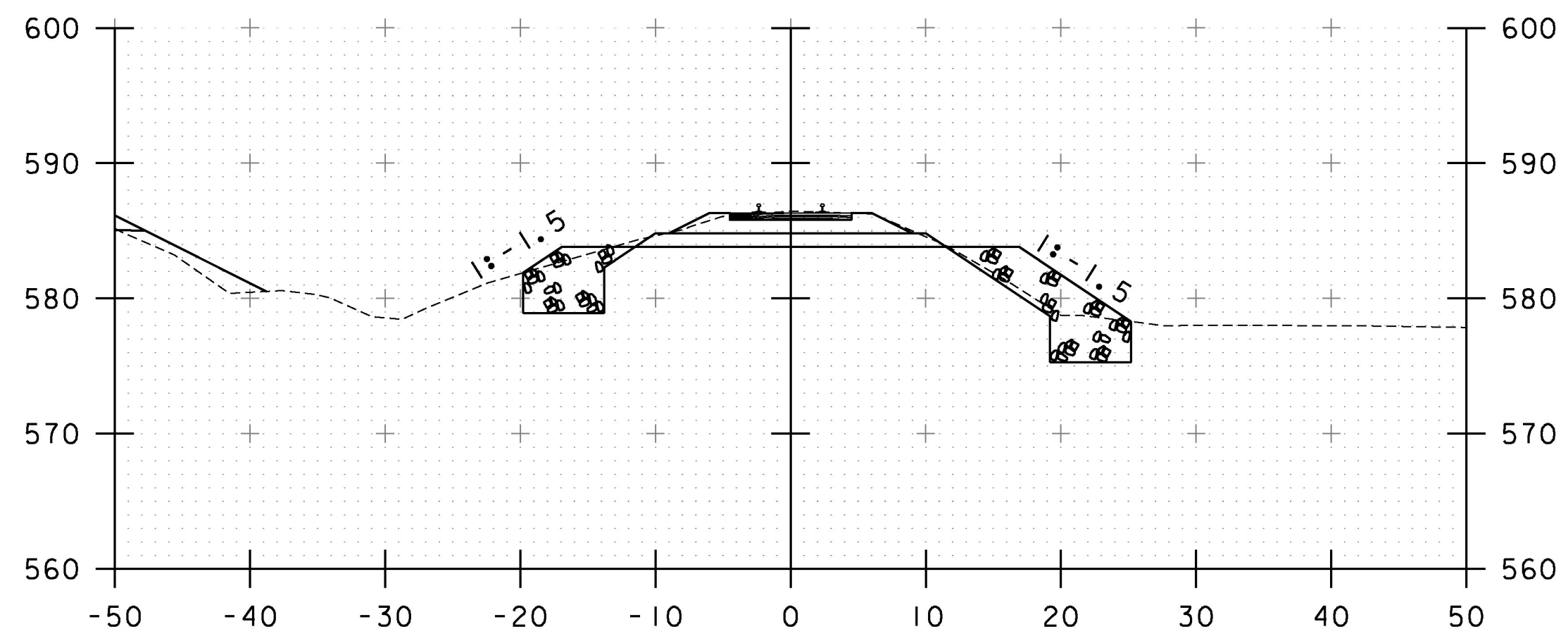
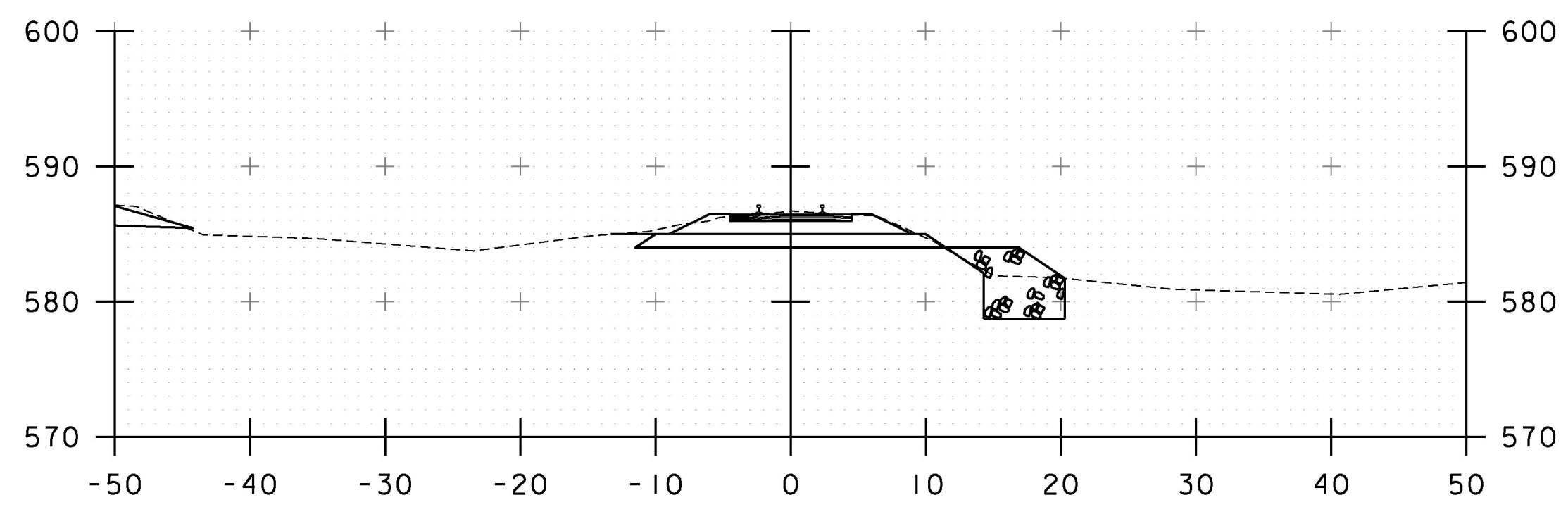


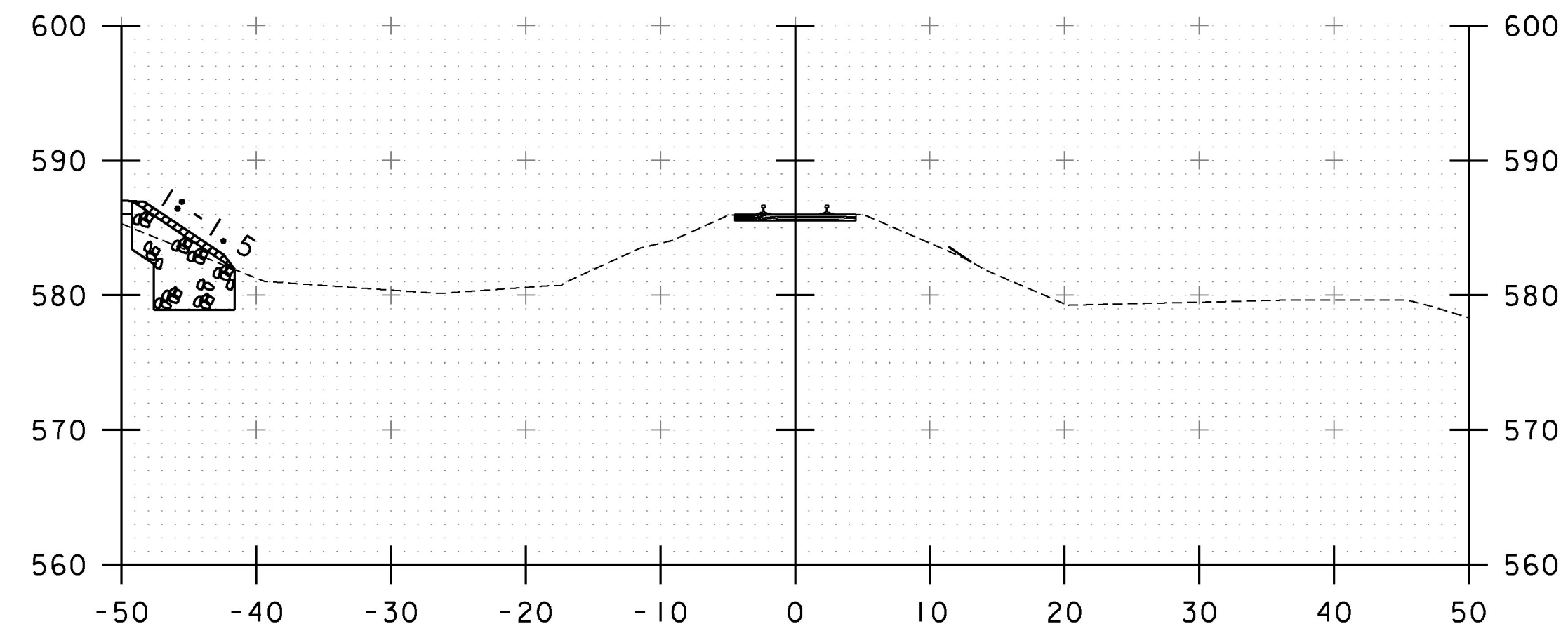
2207+61



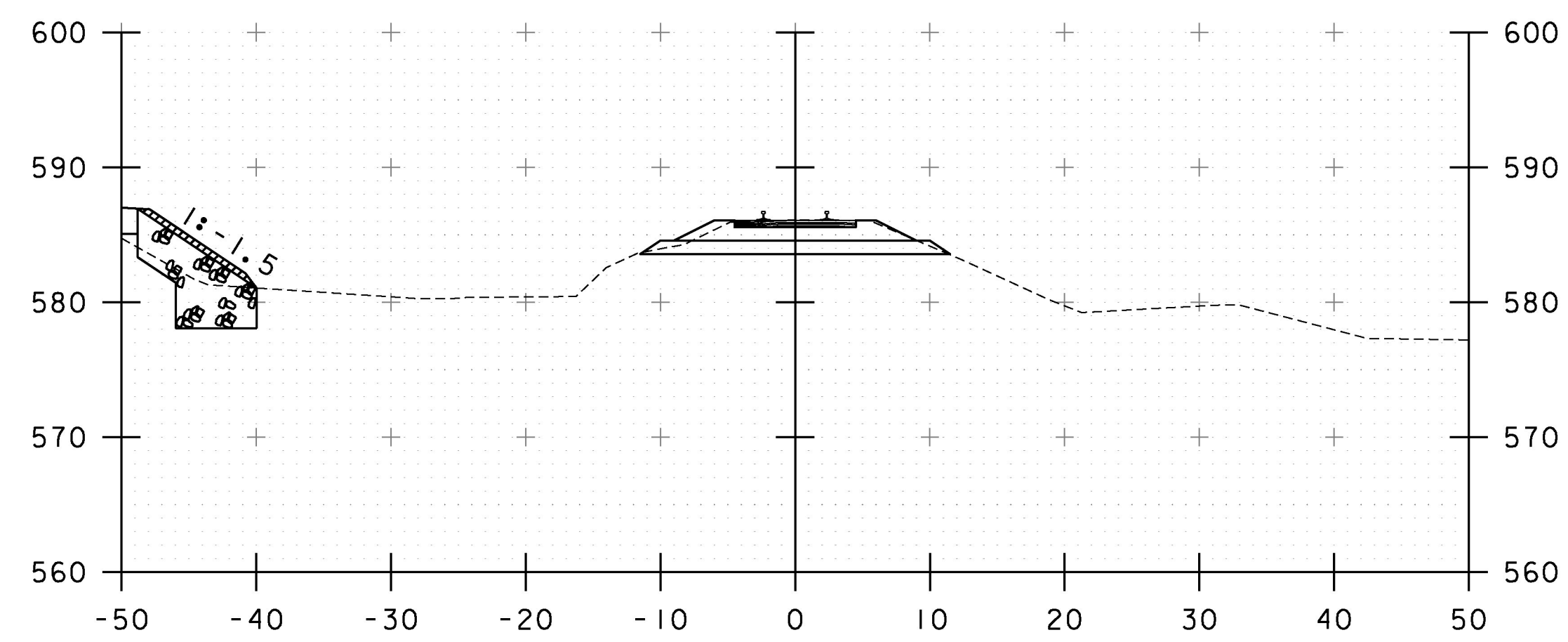
2207+50



2207+25

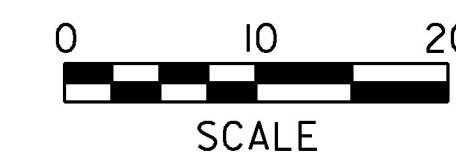


2208+25



2208+00

STA. 2207+25 TO STA. 2208+50



PROJECT NAME: WALLINGFORD	PLOT DATE: 6/16/2016
PROJECT NUMBER: ER CULV(39)	DRAWN BY: I. MAYNARD
FILE NAME: ...drawing\z12b380_xs.dgn	DESIGNED BY: T. KNIGHT
PROJECT LEADER: G. BOGUE	CHECKED BY: G. SANTY
RAILROAD CROSS SECTIONS	SHEET 26 OF 36