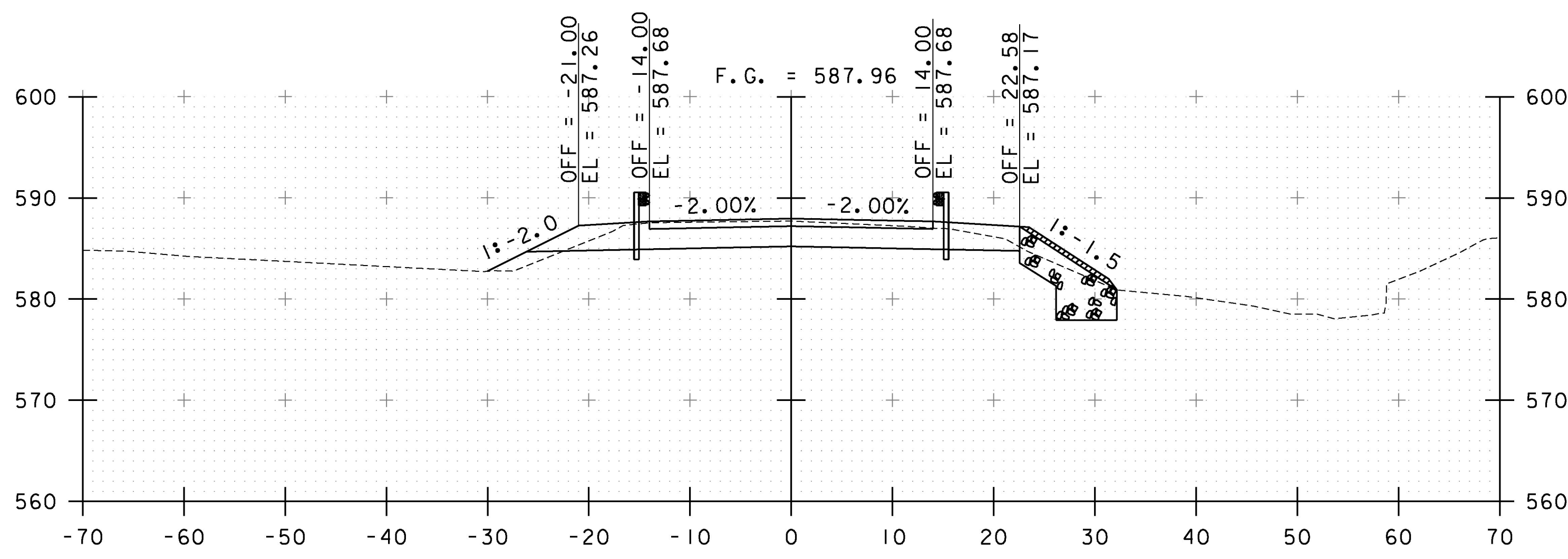


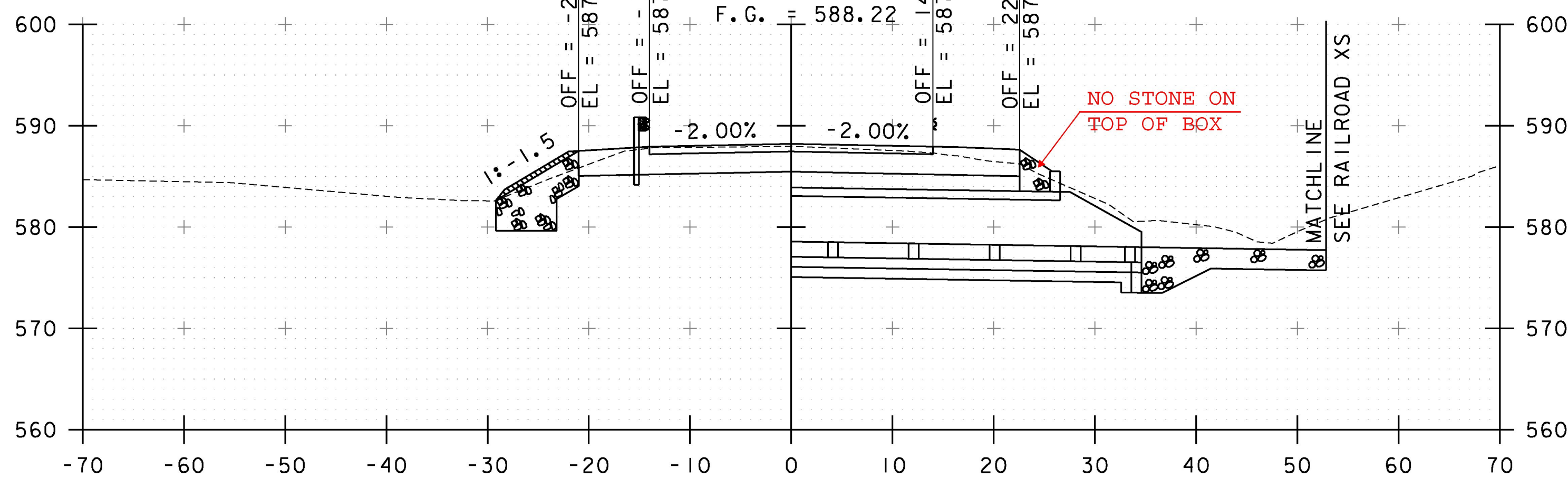
11+50

STA. 11+26.00
END PROJECT



11+25

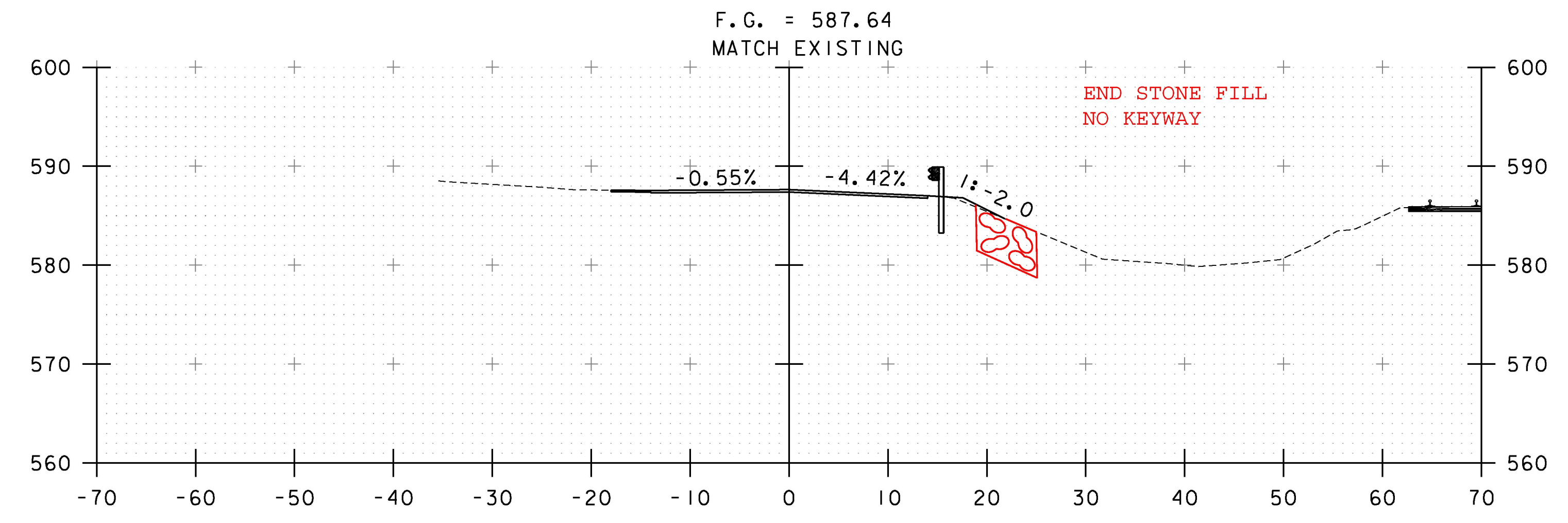
STA. 11+76.00
BEGIN COLD PLANING



11+06.62

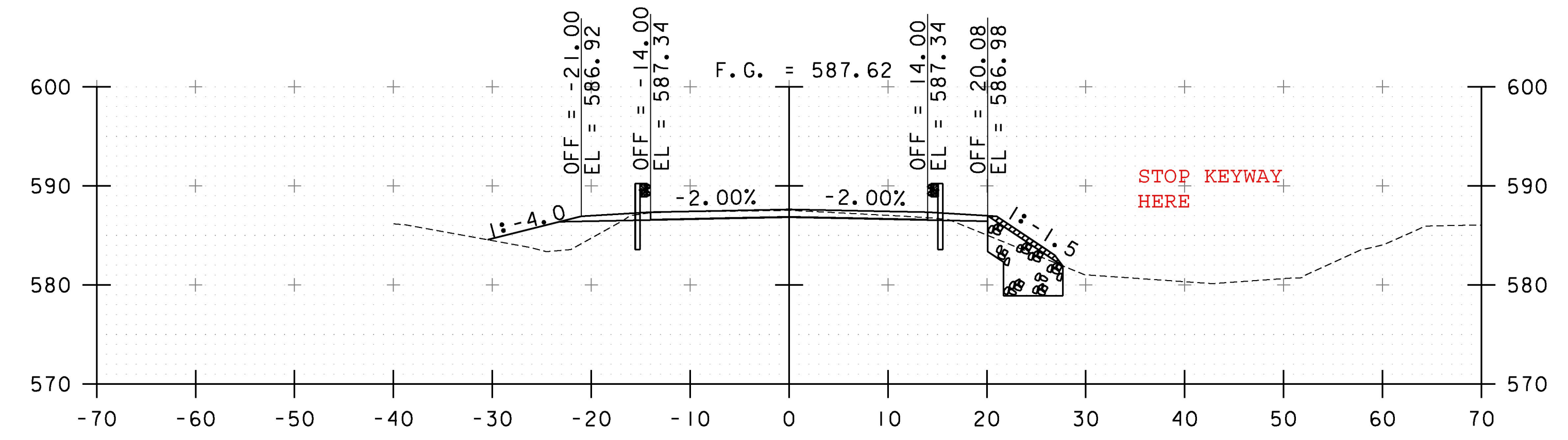
END BRIDGE

STA. 12+26.00
END COLD PLANING
END APPROACH



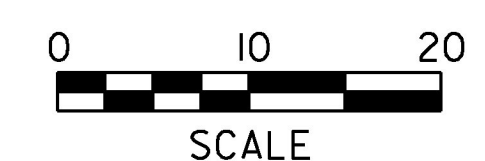
12+00

STA. 11+76.00
BEGIN COLD PLANING



11+75

STA. 11+07 TO STA. 12+00



PROJECT NAME:	WALLINGFORD	PLOT DATE:	6/16/2016
PROJECT NUMBER:	ER CULV(39)	DRAWN BY:	I. MAYNARD
FILE NAME:	...drawing\z12b380_xs.dgn	CHECKED BY:	G. SANTY
DESIGNED BY:	I. MAYNARD	US ROUTE 7 CROSS SECTIONS 2	SHEET 25 OF 36