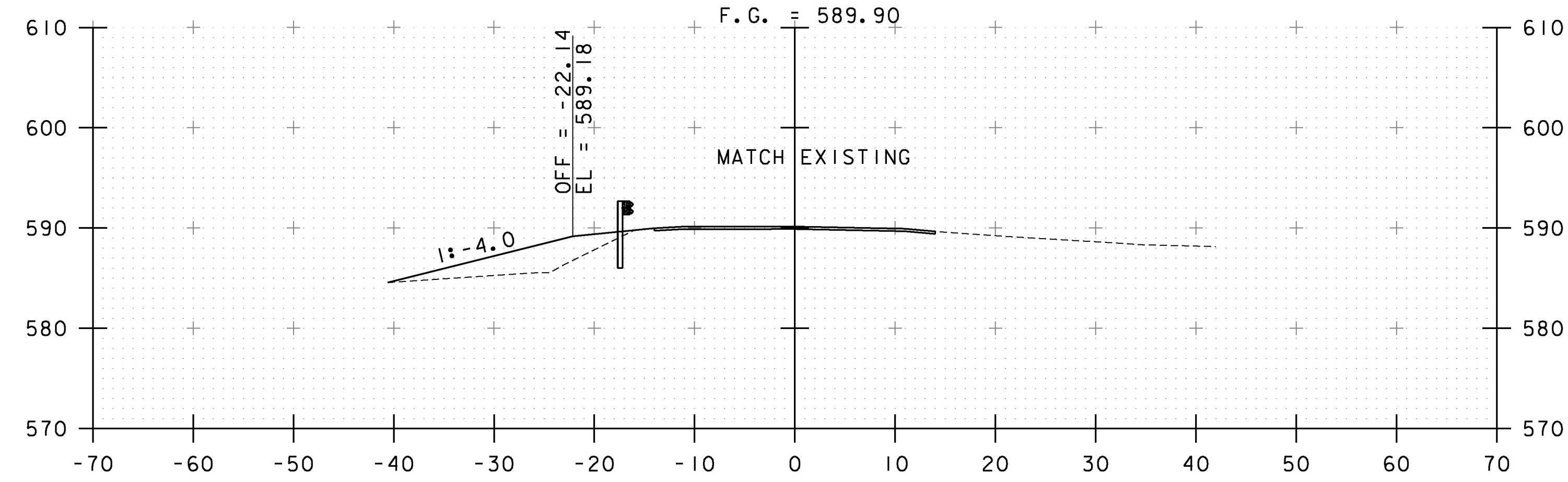
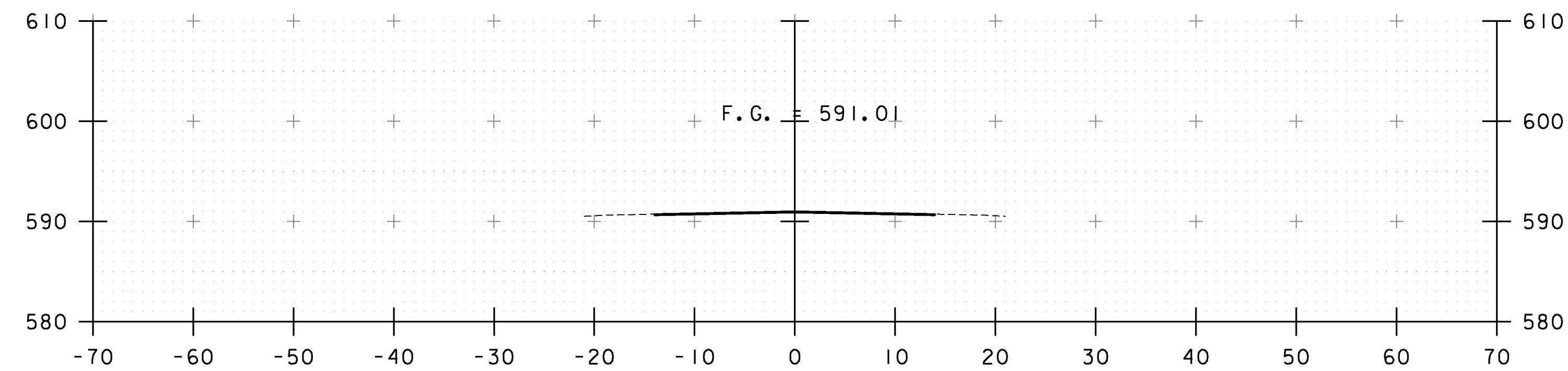


10+50



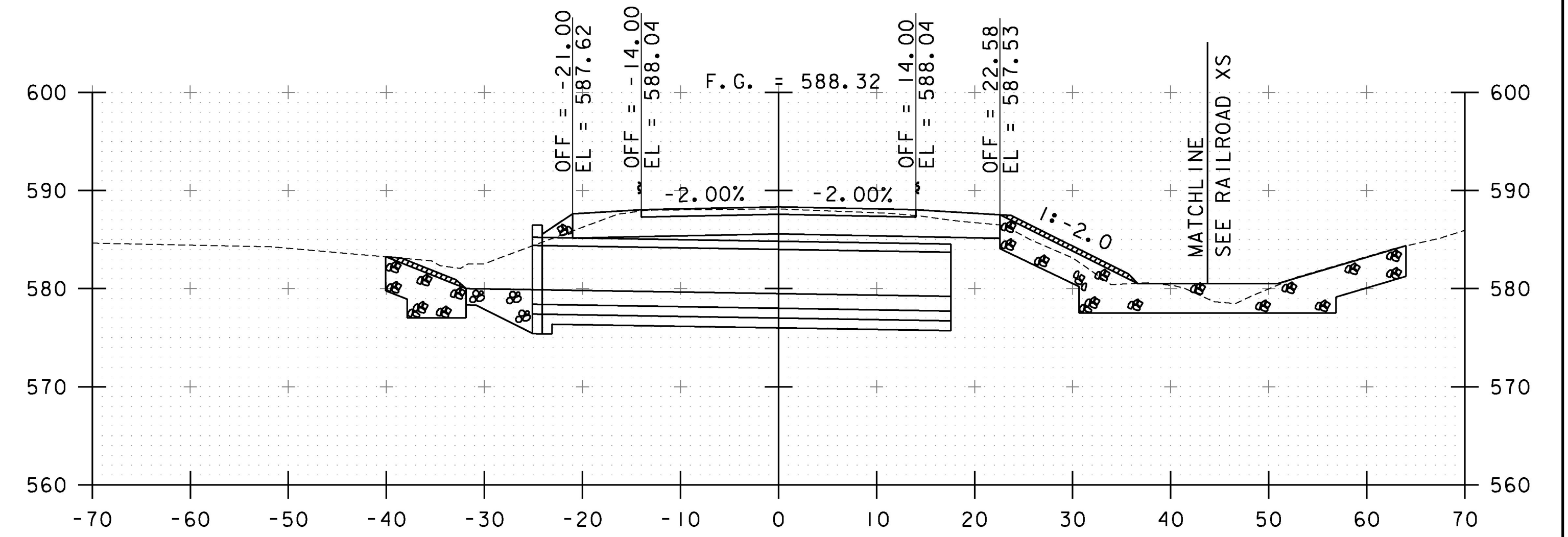
10+25

END COLD PLANING  
BEGIN SUBBASE TRANSITION

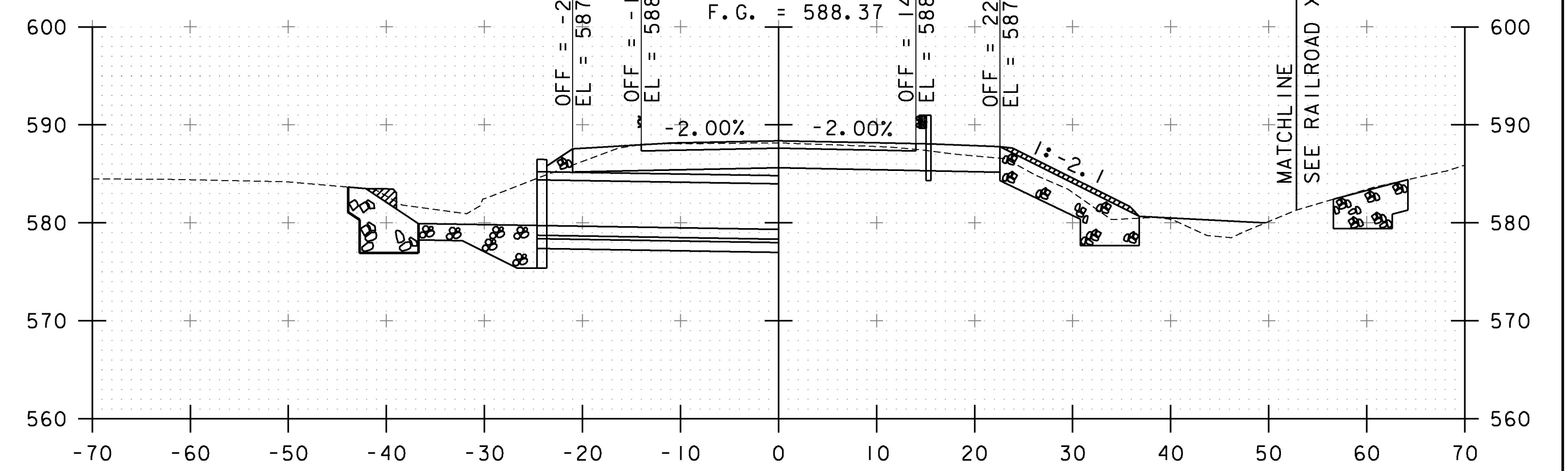


10+00

STA. 9+75.00  
BEGIN COLD PLANING  
BEGIN APPROACH  
MATCH EXISTING

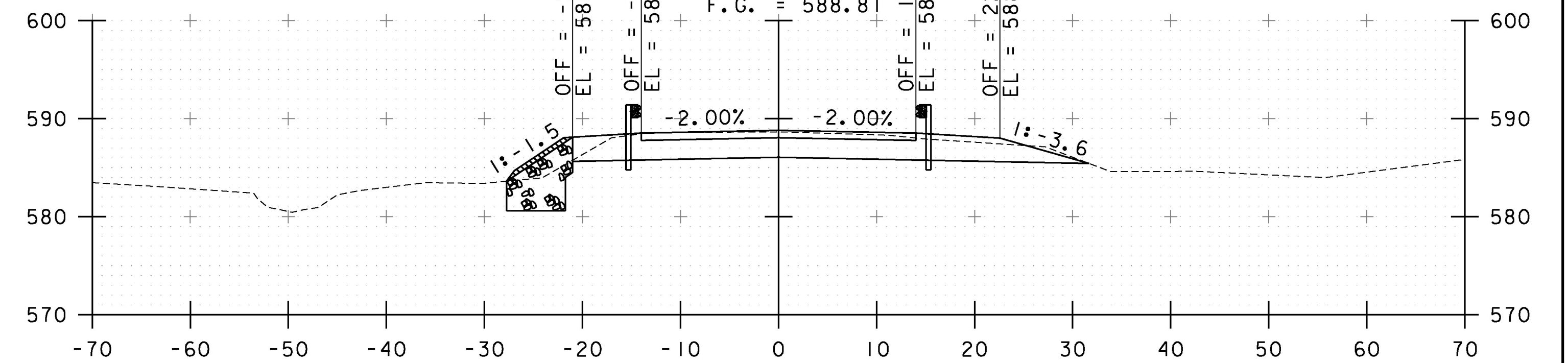


11+00



10+97.16

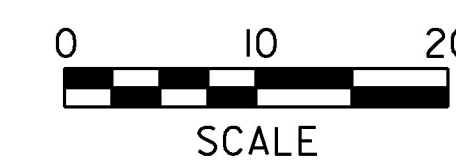
BEGIN BRIDGE



10+75

BEGIN PROJECT

STA. 10+00 TO STA. 11+00



PROJECT NAME: WALLINGFORD	PLOT DATE: 6/16/2016
PROJECT NUMBER: ER CULV(39)	DRAWN BY: I. MAYNARD
FILE NAME: ...drawing\z12b380_xs.dgn	CHECKED BY: G. SANTY
DESIGNED BY: I. MAYNARD	SHEET 24 OF 36
US ROUTE 7 CROSS SECTIONS I	