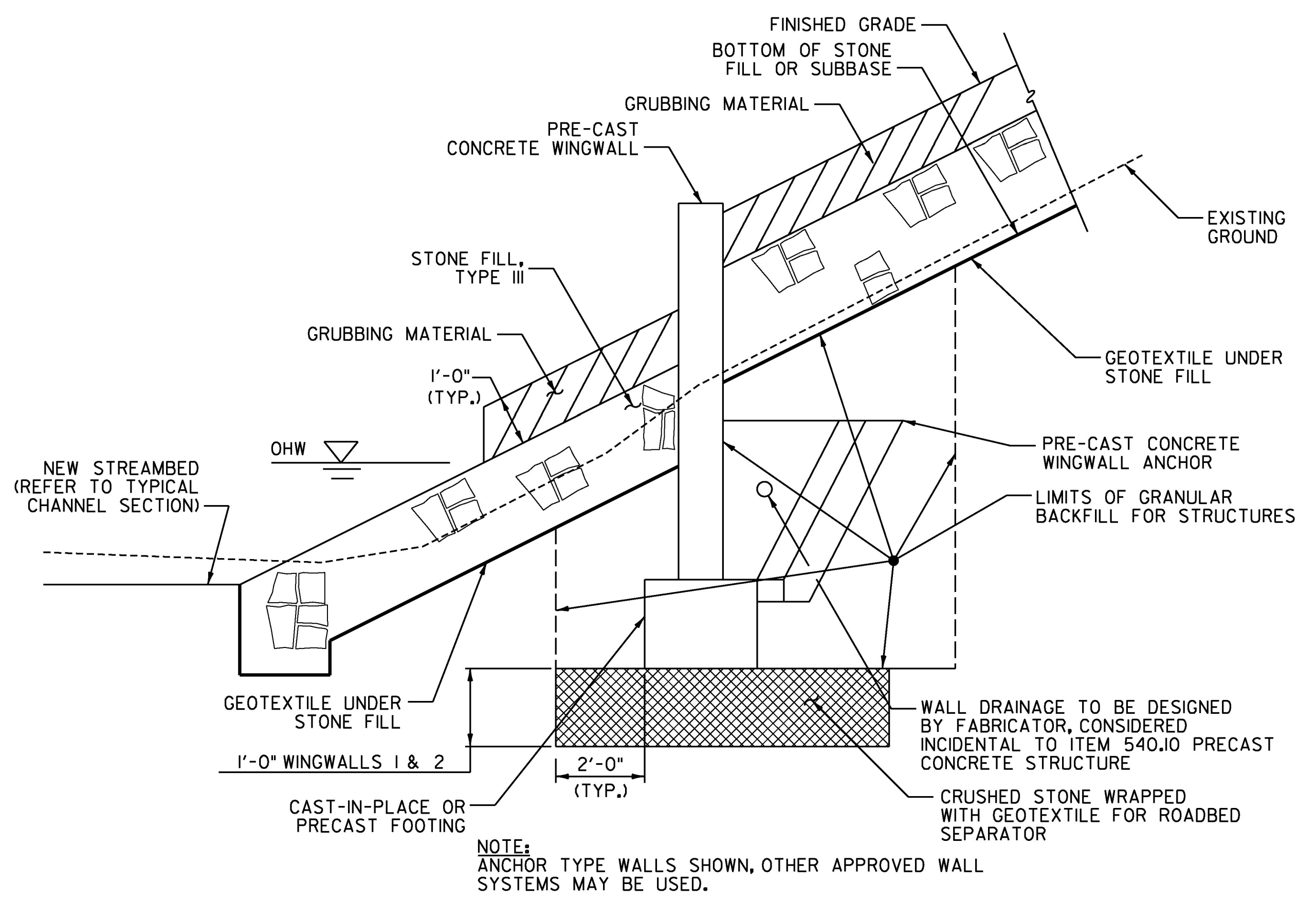
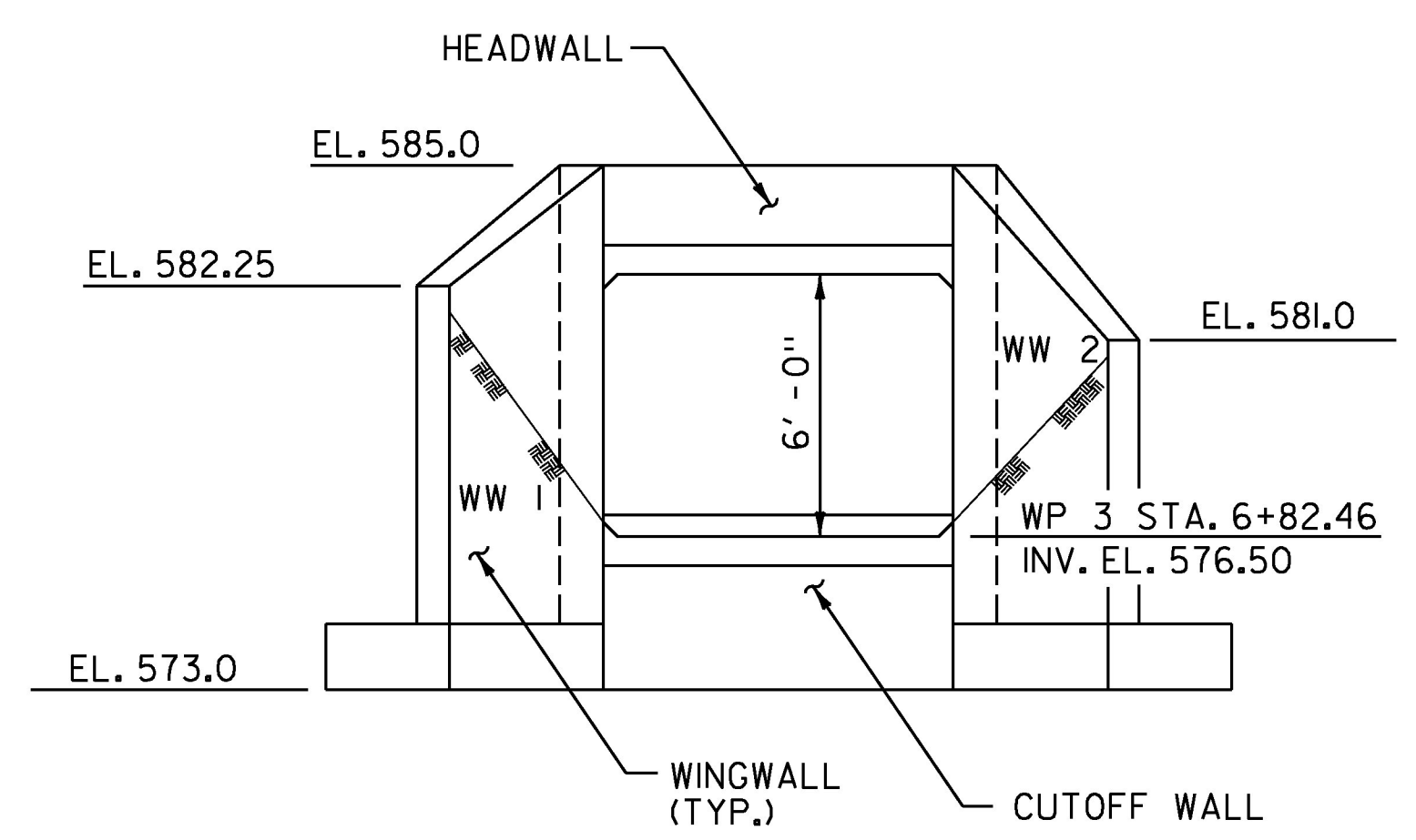


PRECAST CONCRETE STRUCTURE PLAN -RR CULV C06470  
SCALE: 1/4" = 1'-0"

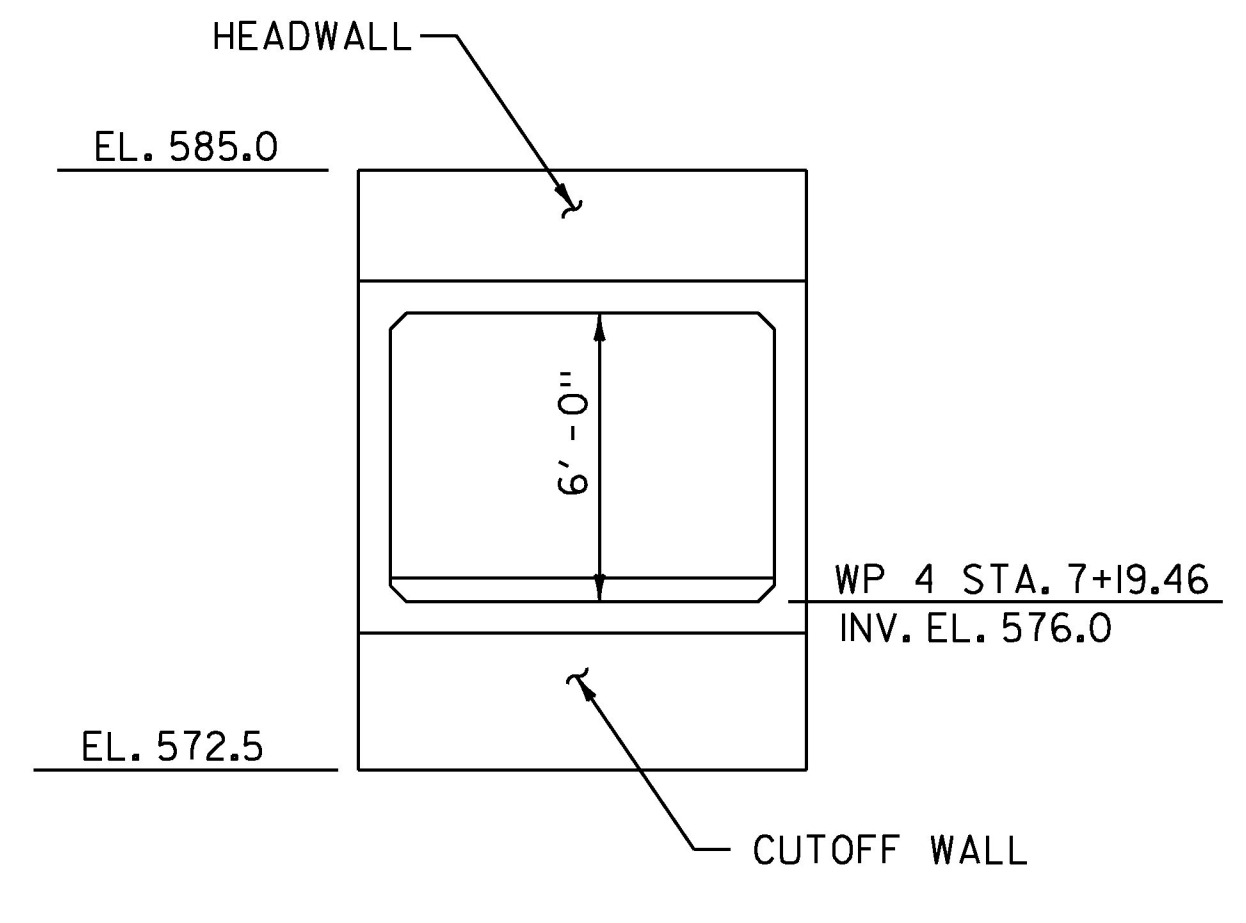


WINGWALL EARTHWORK SECTION  
NOT TO SCALE

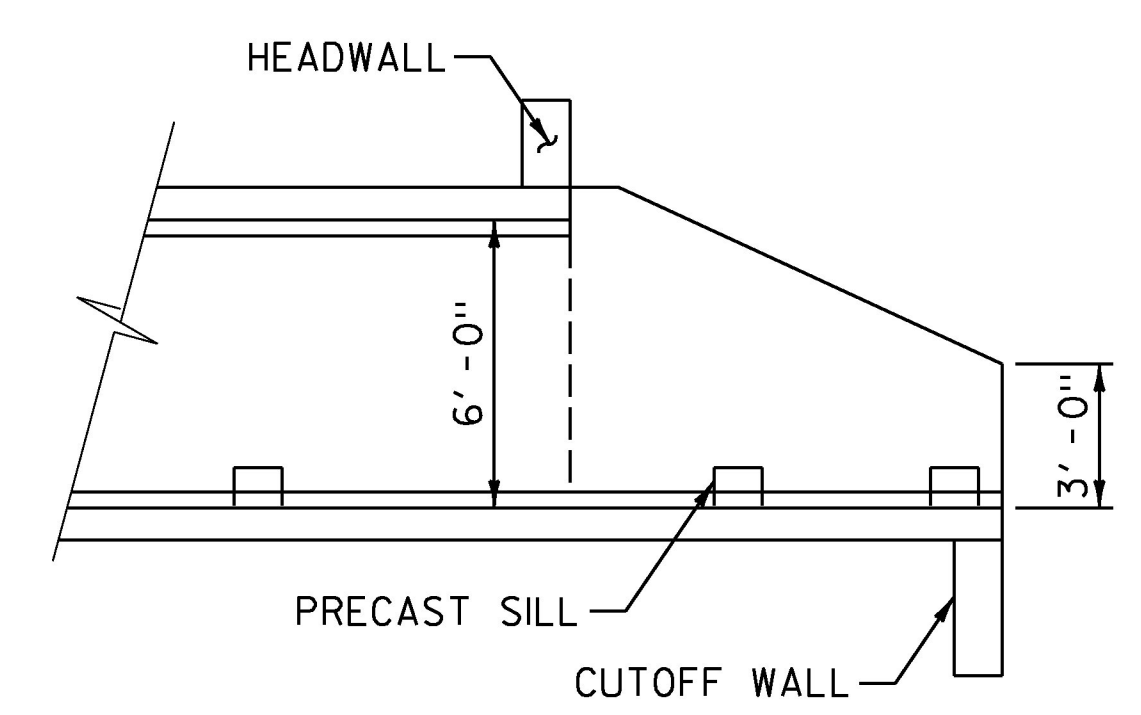
SEE SHOP DRAWINGS IN JOB RECORDS FOR DETAILS OF PRECAST AND WINGWALLS.



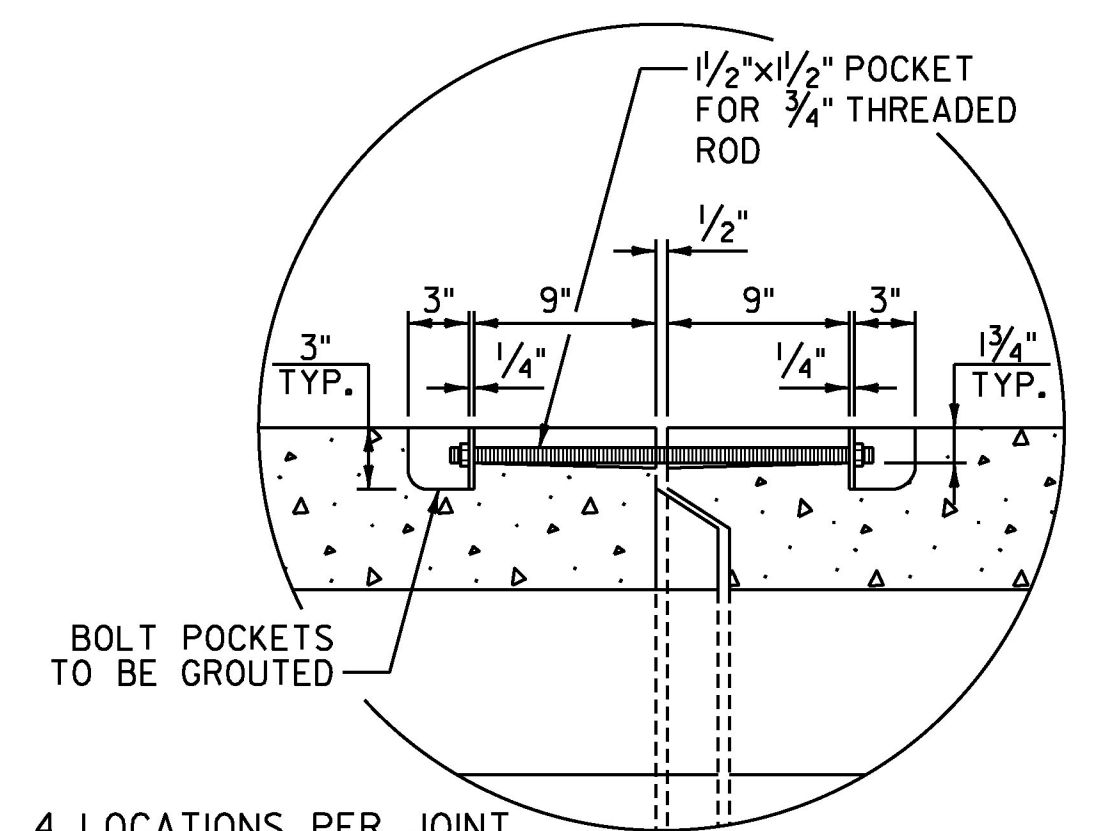
INLET ELEVATION  
SCALE: 1/4" = 1'-0"



OUTLET ELEVATION  
SCALE: 1/4" = 1'-0"



SECTION A-A  
SCALE: 1/4" = 1'-0"



PERMANENT CLOSURE DETAIL  
NOT TO SCALE

NOTE:  
FOR DETAILS NOT SHOWN SEE PRECAST CONCRETE BOX TYPICAL SECTION ON SHEET 3.



PROJECT NAME:	WALLINGFORD
PROJECT NUMBER:	ER CULV(39)
FILE NAME:	z12b380_RR_STRUCT_PLAN_DET.dgn
PROJECT LEADER:	G. BOGUE
DESIGNED BY:	J. HUNGERFORD
STRUCTURAL PLAN/DET. - RR CULV C06470	
PLOT DATE:	6/16/2016
DRAWN BY:	L. BUXTON
CHECKED BY:	T. KNIGHT
SHEET	17 OF 36