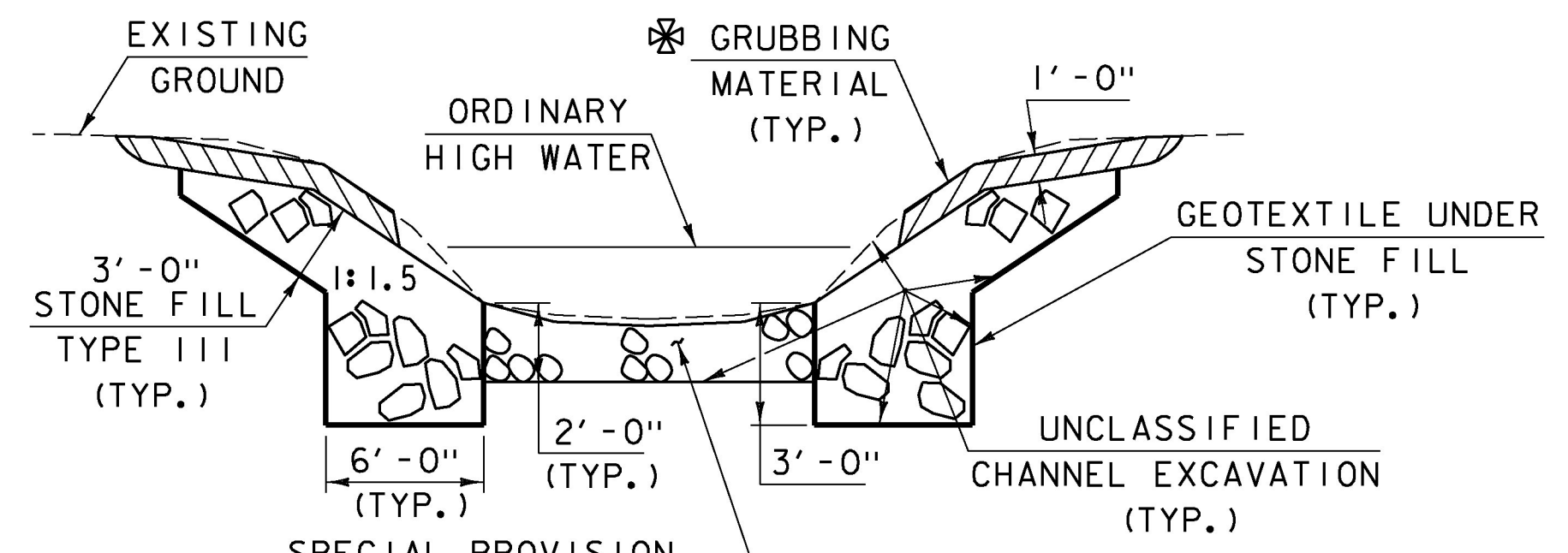


**RAILROAD TRACK SECTION**

SCALE 3/8" = 1'-0"

STA. 2207+18 TO STA. 2208+04

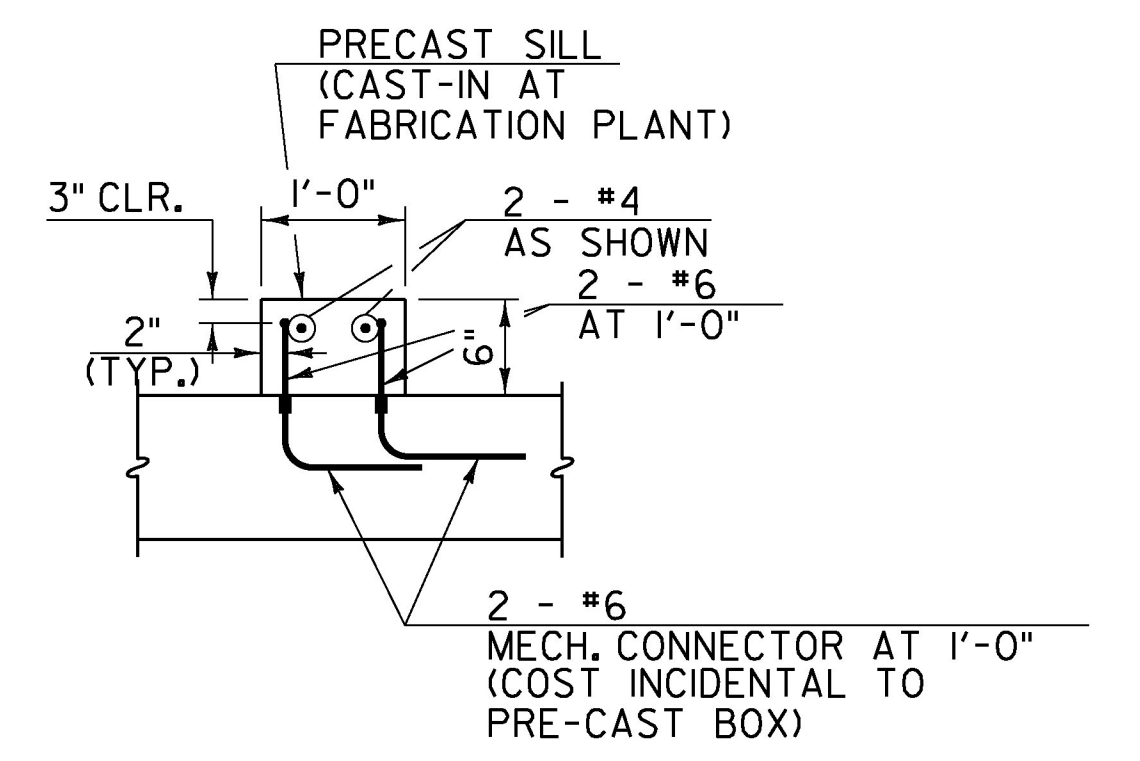


**CHANNEL TYPICAL SECTION**

NOT TO SCALE

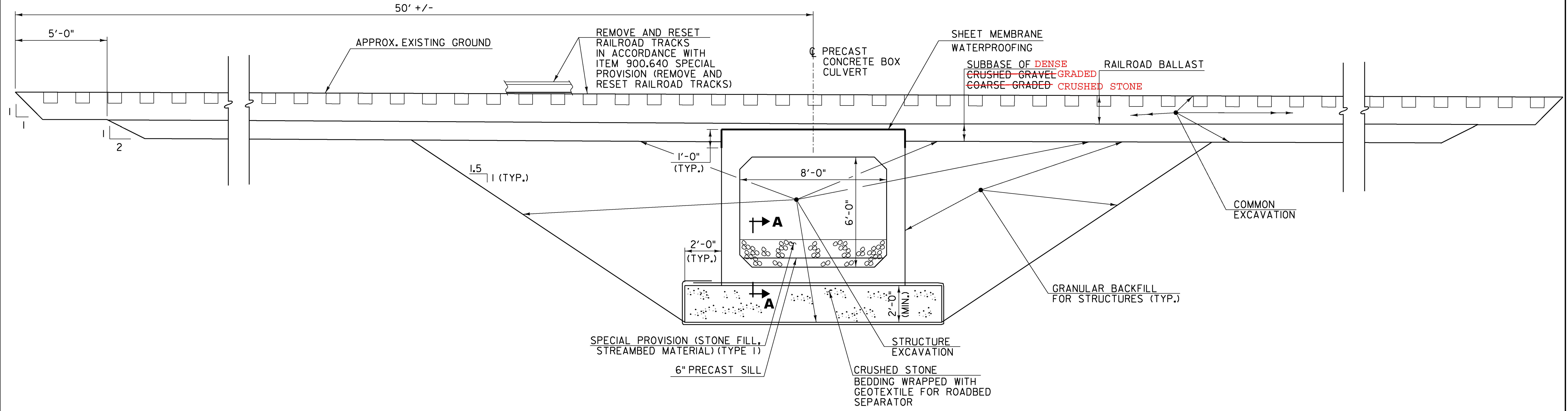
✱ WHENEVER CHANNEL SLOPE INTERSECTS ROADWAY SUBBASE, GRUBBING MATERIAL SHALL BEGIN AT THE BOTTOM OF SUBBASE.

TYPICAL SECTION MODIFIED IN SOME LOCATIONS TO SUIT FIELD CONDITIONS



**SECTION A-A**

NOT TO SCALE



**PRECAST CONCRETE BOX TYPICAL SECTION**

SCALE 3/8" = 1'-0"

PROJECT NAME:	WALLINGFORD
PROJECT NUMBER:	ER CULV(39)
FILE NAME:	z12b380_RR TYPICAL_SECTIONS.dgn
PLOT DATE:	6/16/2016
PROJECT LEADER:	G. BOGUE
DRAWN BY:	L. BUXTON
DESIGNED BY:	J. HUNGERFORD
CHECKED BY:	T. KNIGHT
TYPICAL SECTIONS - RR CULV C06470	SHEET 15 OF 36

