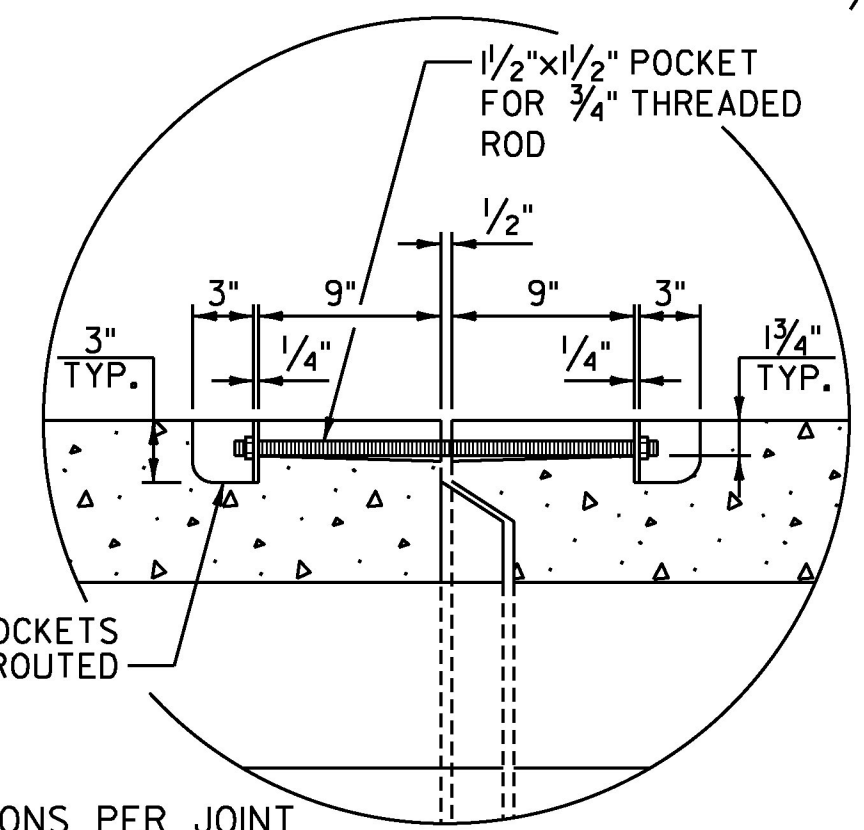


SEE SHOP DRAWINGS IN JOB RECORDS FOR DETAILS OF PRECAST BOX AND WINGWALLS.

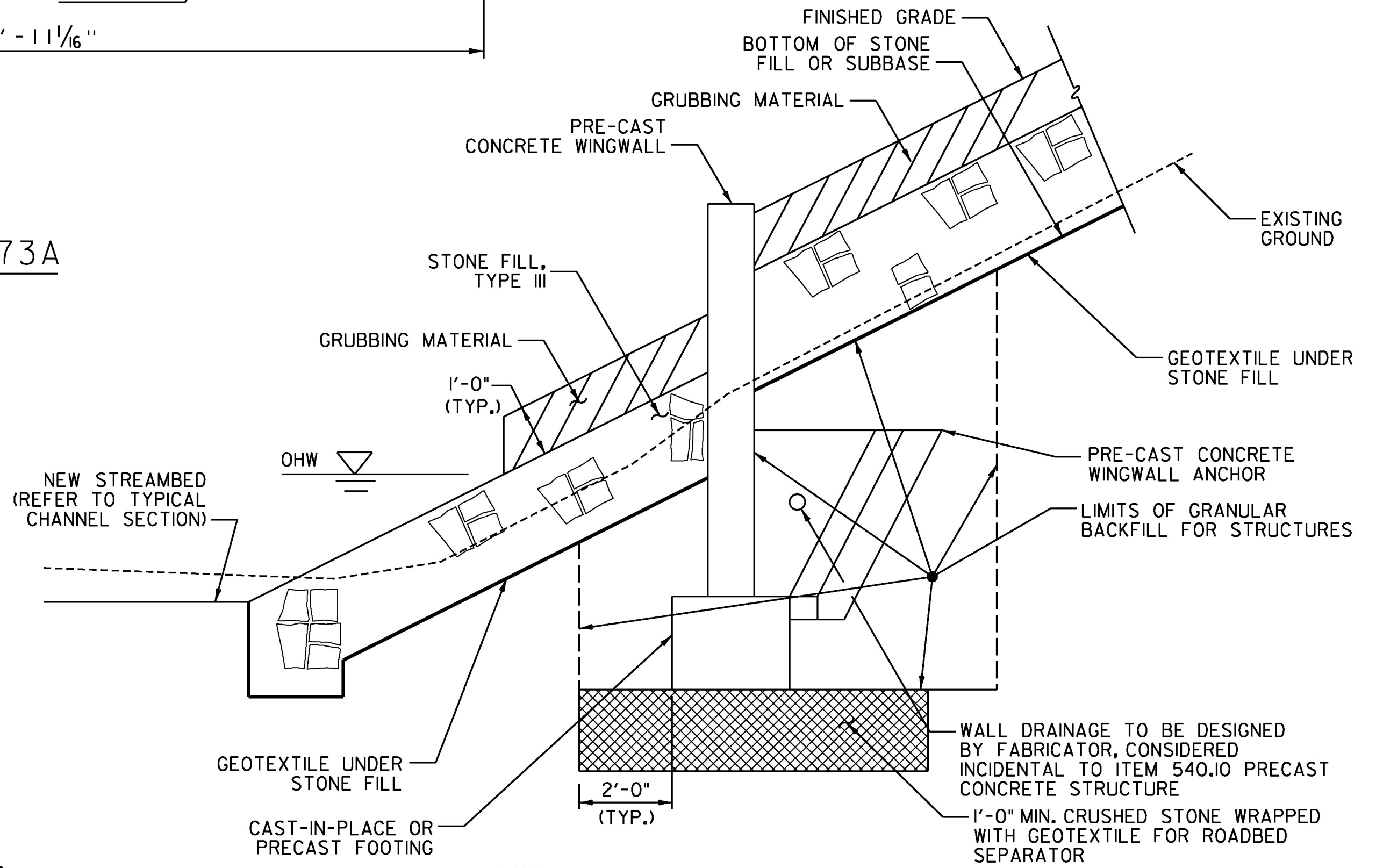
PRECAST CONCRETE STRUCTURE PLAN - BR73A

SCALE: 1/4" = 1'-0"

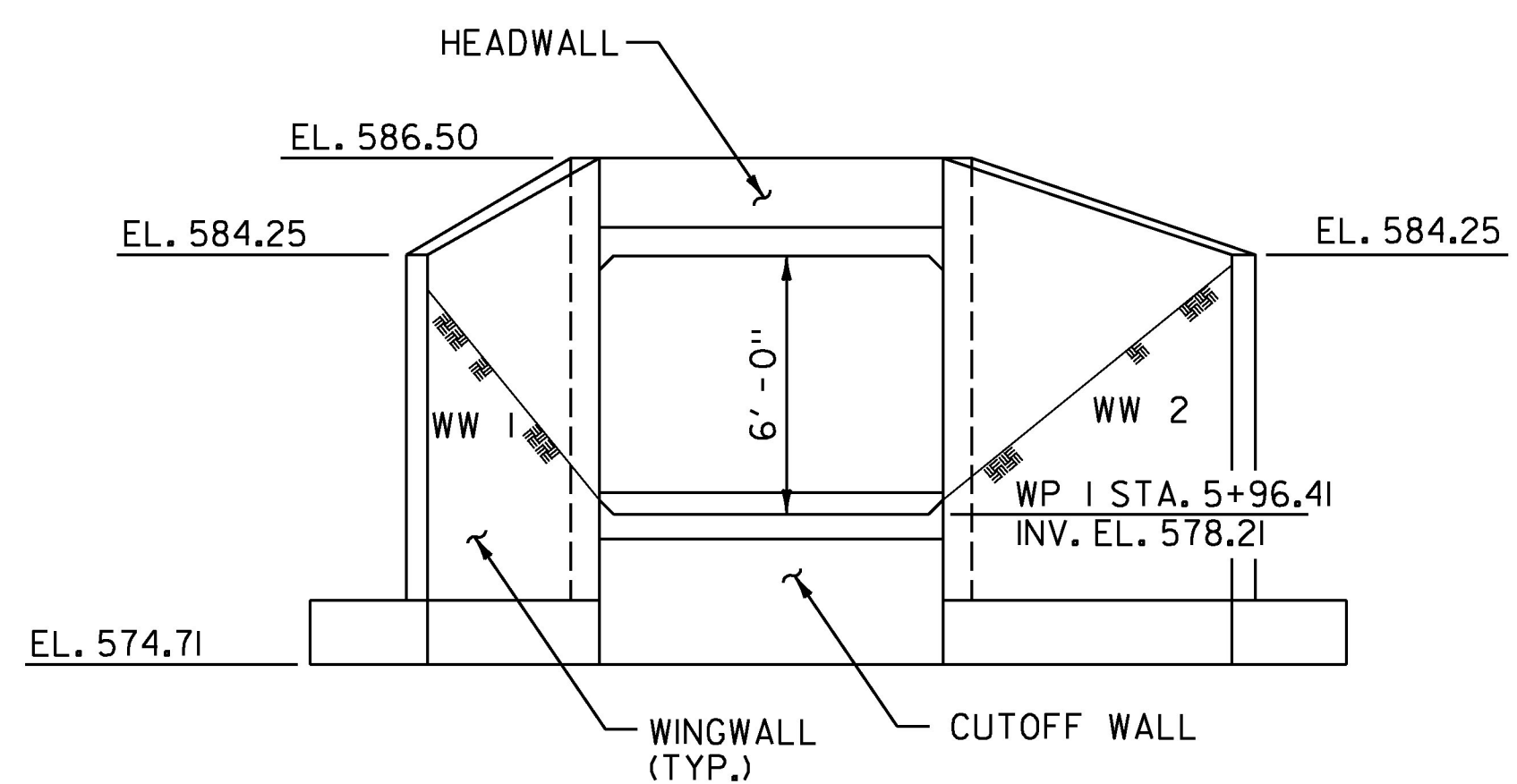


4 LOCATIONS PER JOINT  
2 PER WALL, EXACT  
LOCATION PER FABRICATOR

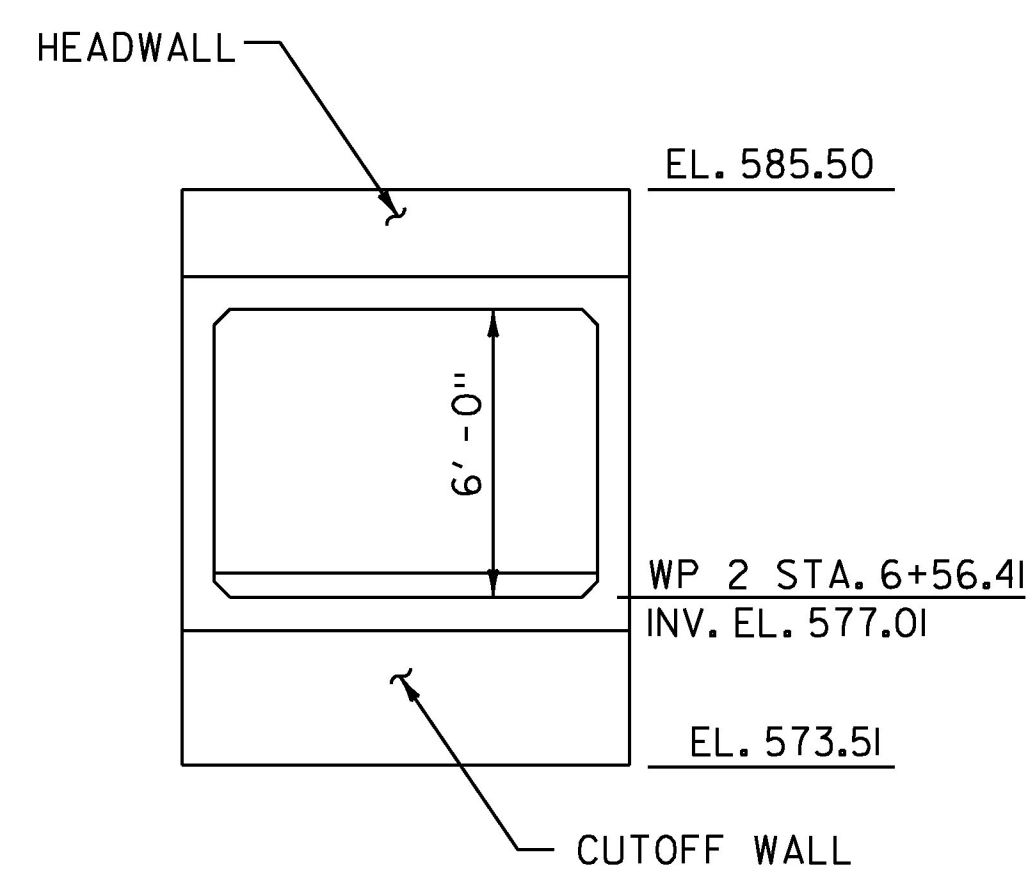
PERMANENT CLOSURE DETAIL  
NOT TO SCALE



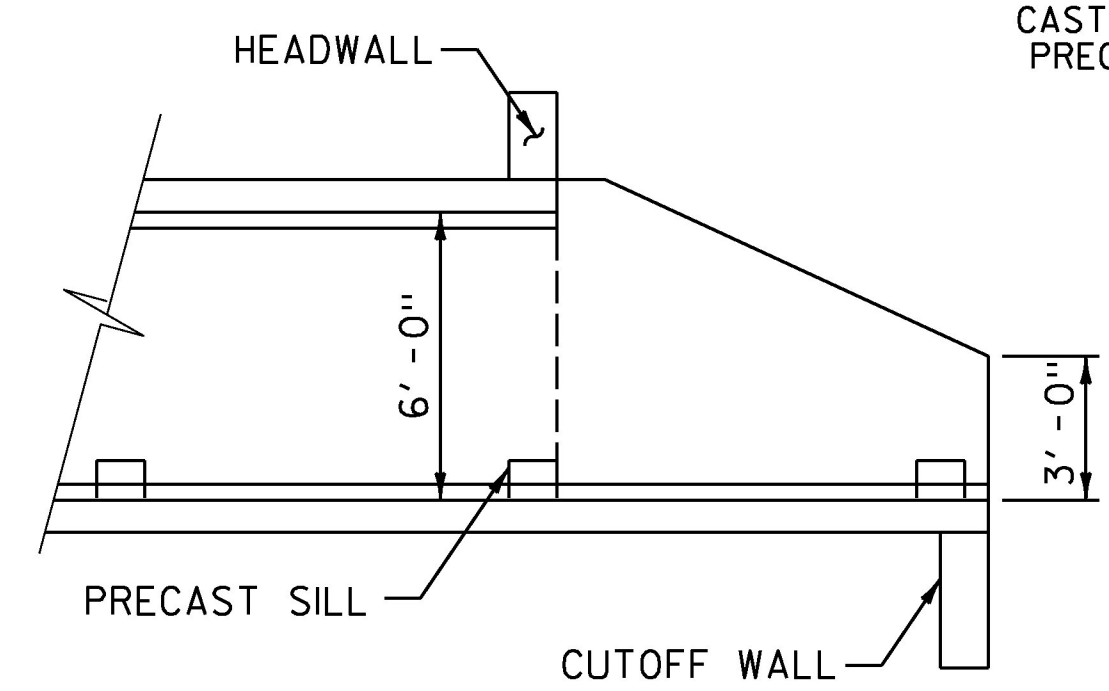
WINGWALL EARTHWORK SECTION  
NOT TO SCALE



INLET ELEVATION  
SCALE: 1/4" = 1'-0"



OUTLET ELEVATION  
SCALE: 1/4" = 1'-0"



SECTION A-A  
SCALE: 1/4" = 1'-0"

NOTE:  
FOR DETAILS NOT SHOWN SEE  
PRECAST CONCRETE BOX TYPICAL  
SECTION ON SHEET 8.



PROJECT NAME:	WALLINGFORD
PROJECT NUMBER:	ER CULV(39)
FILE NAME: z12b380_STRUCT.PLAN.DET.dgn	PLOT DATE: 6/16/2016
PROJECT LEADER: G. BOGUE	DRAWN BY: L. BUXTON
DESIGNED BY: J. HUNGERFORD	CHECKED BY: T. KNIGHT
STRUCTURAL PLAN & DETAILS - BR73A	SHEET 13 OF 36