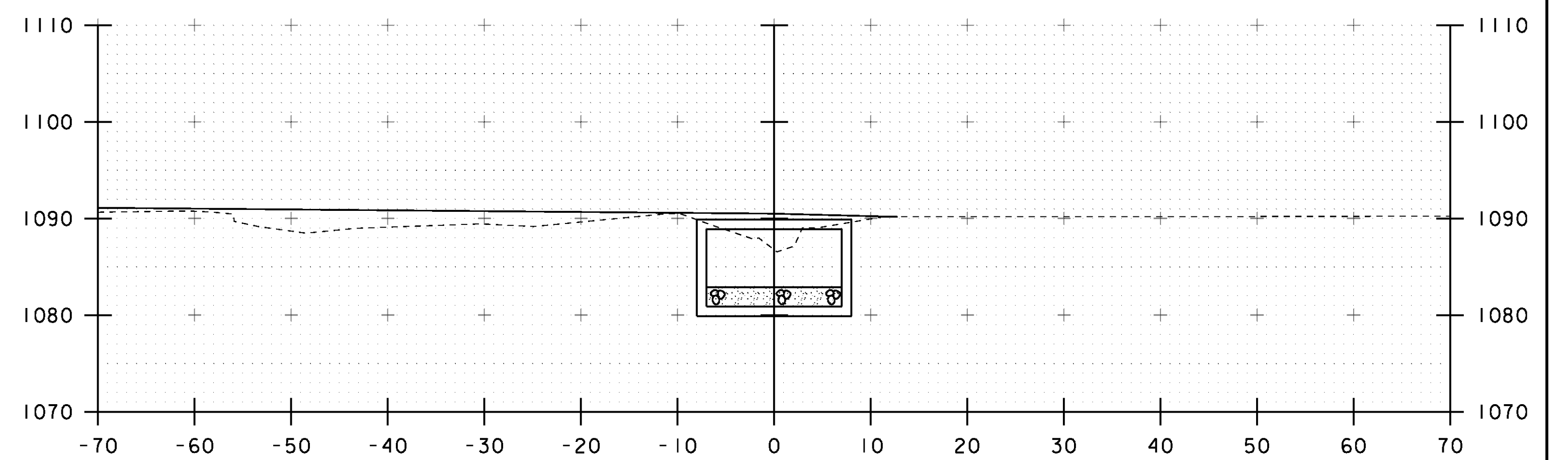
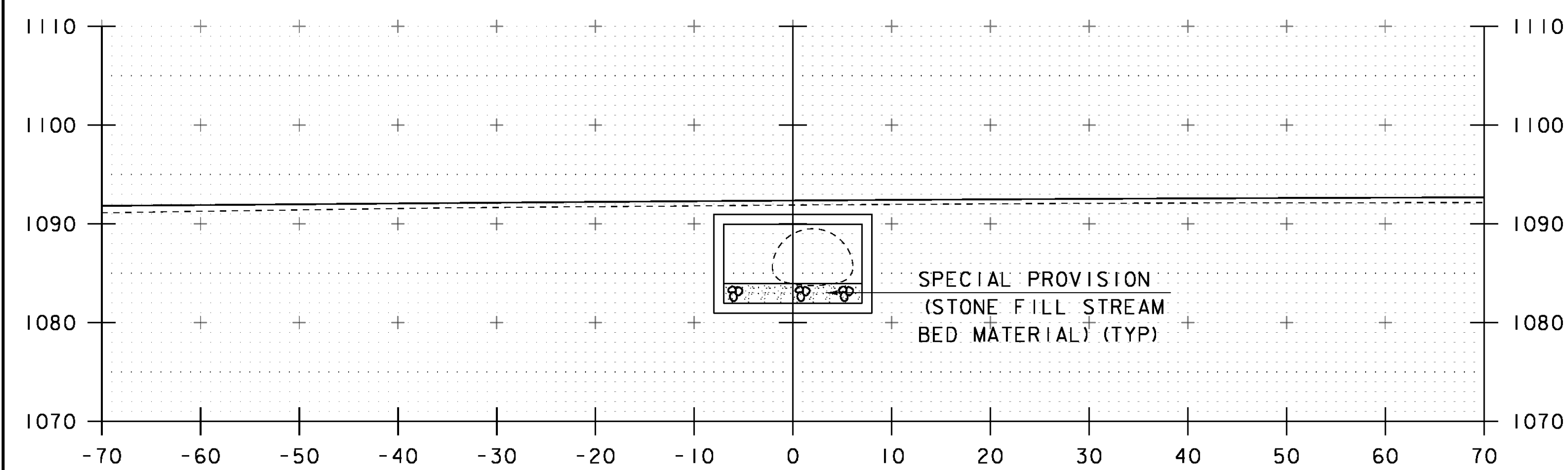


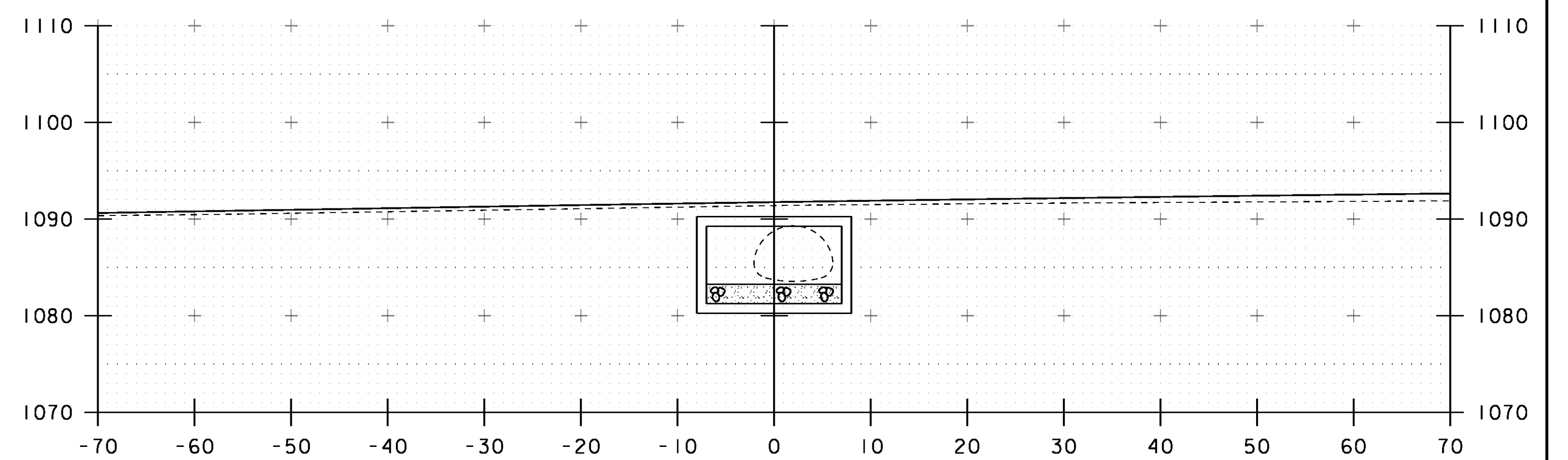
73+50



73+70



73+40



73+60

STA. 73+40 TO STA. 73+70

PROJECT NAME:	WARDSBORO	FILE NAME:	sl3b074xs.dgn	PLOT DATE:	26-FEB-2014
PROJECT NUMBER:	BF 013-1(22)	PROJECT LEADER:	K. HIGGINS	DRAWN BY:	J. SALVATORI
		DESIGNED BY:	J. SALVATORI	CHECKED BY:	G. LAROCHE
		CHANNEL SECTIONS		SHEET	441 OF 444