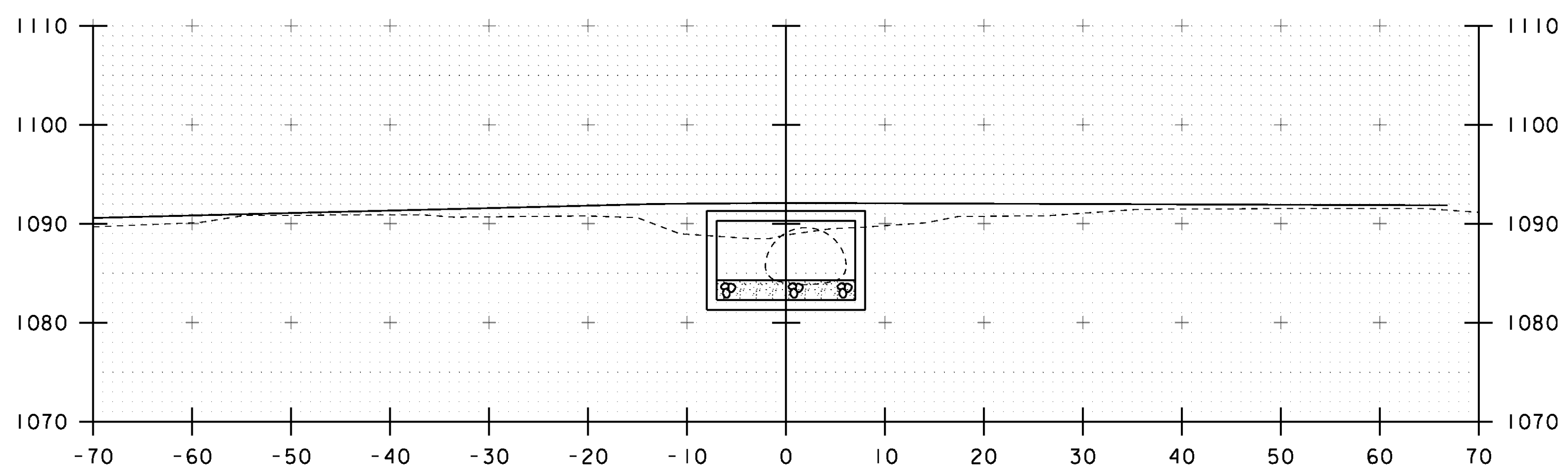
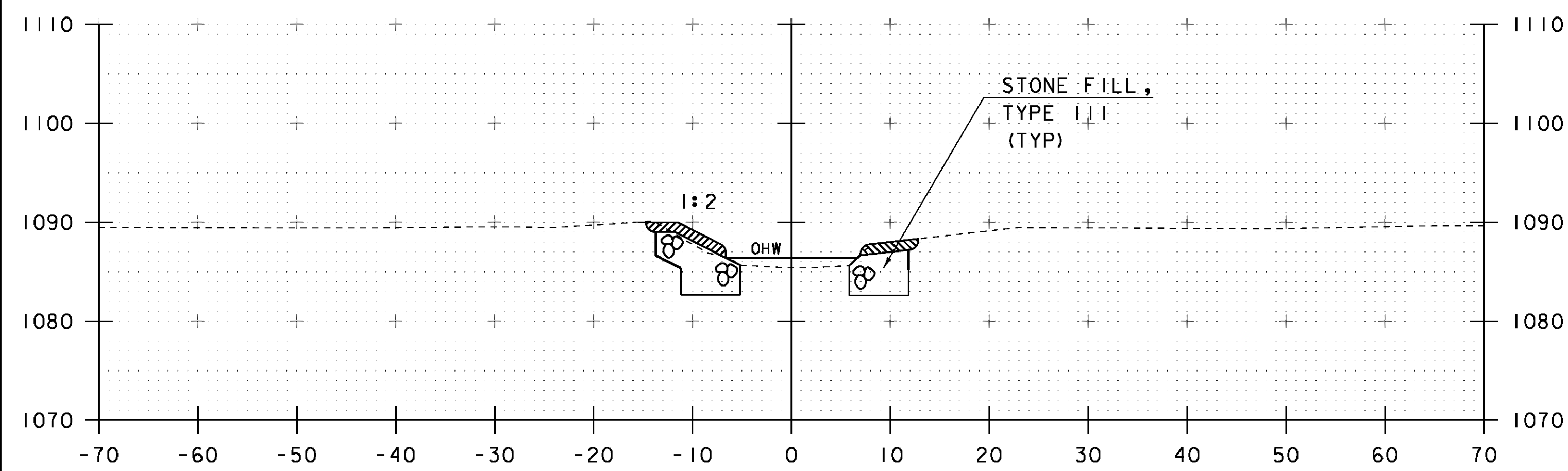


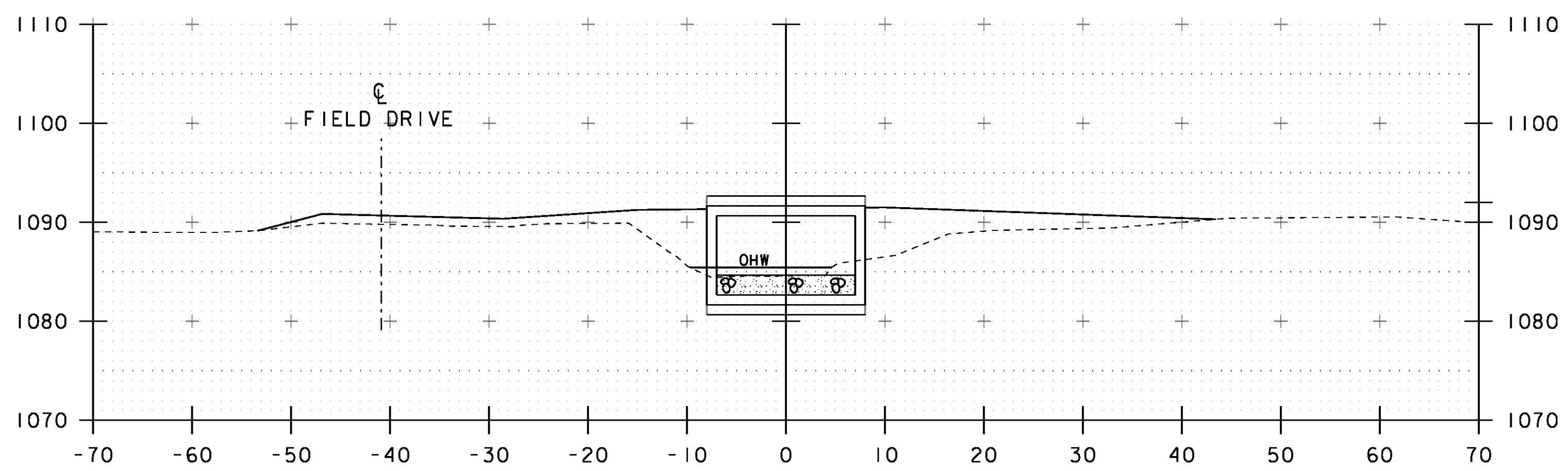
73+10



73+30



73+00



73+20

STA 73+00.00
 BEGIN UNCLASSIFIED CHANNEL EXCAVATION
 BEGIN GEOTEXTILE UNDER STONE FILL
 BEGIN STONE FILL, TYPE III
 BEGIN GRUBBING MATERIAL

STA 73+20.00
 END UNCLASSIFIED CHANNEL EXCAVATION
 END GEOTEXTILE UNDER STONE FILL
 END STONE FILL, TYPE III
 END GRUBBING MATERIAL

STA. 73+00 TO STA. 73+30

PROJECT NAME: WARDBORO
 PROJECT NUMBER: BF 013-1(22)

FILE NAME: sl3b074xs.dgn
 PROJECT LEADER: K. HIGGINS
 DESIGNED BY: J. SALVATORI
 CHANNEL SECTIONS

PLOT DATE: 26-FEB-2014
 DRAWN BY: J. SALVATORI
 CHECKED BY: G. LAROCHE
 SHEET 440 OF 444