

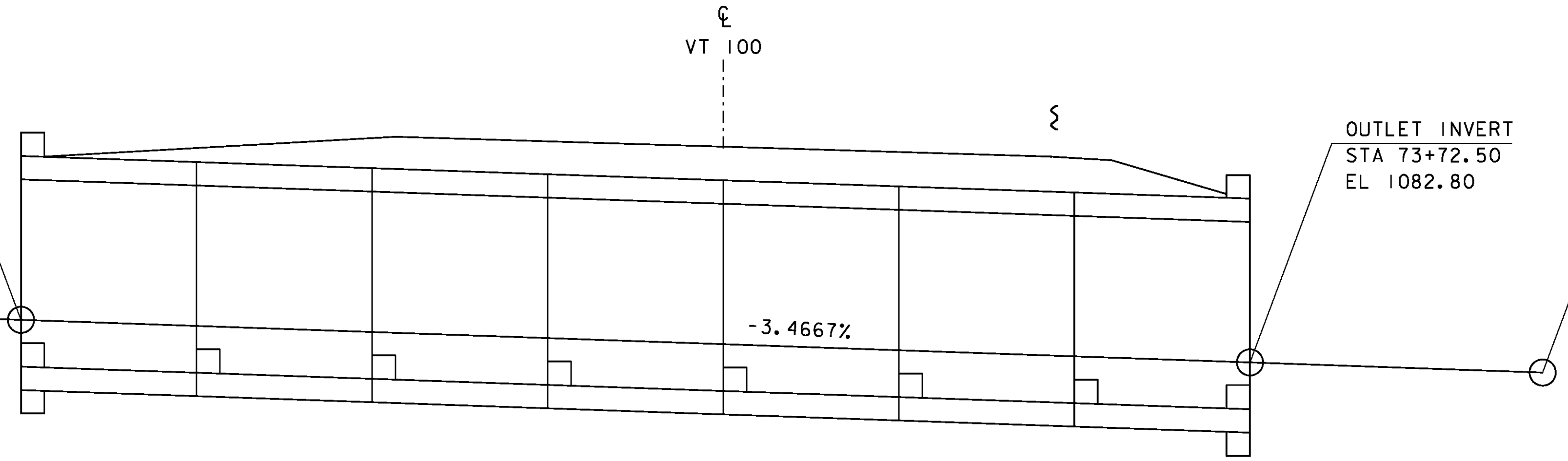
PVI 73+00.00
EL 1085.35

INLET INVERT
STA 73+20.00
EL 1084.65

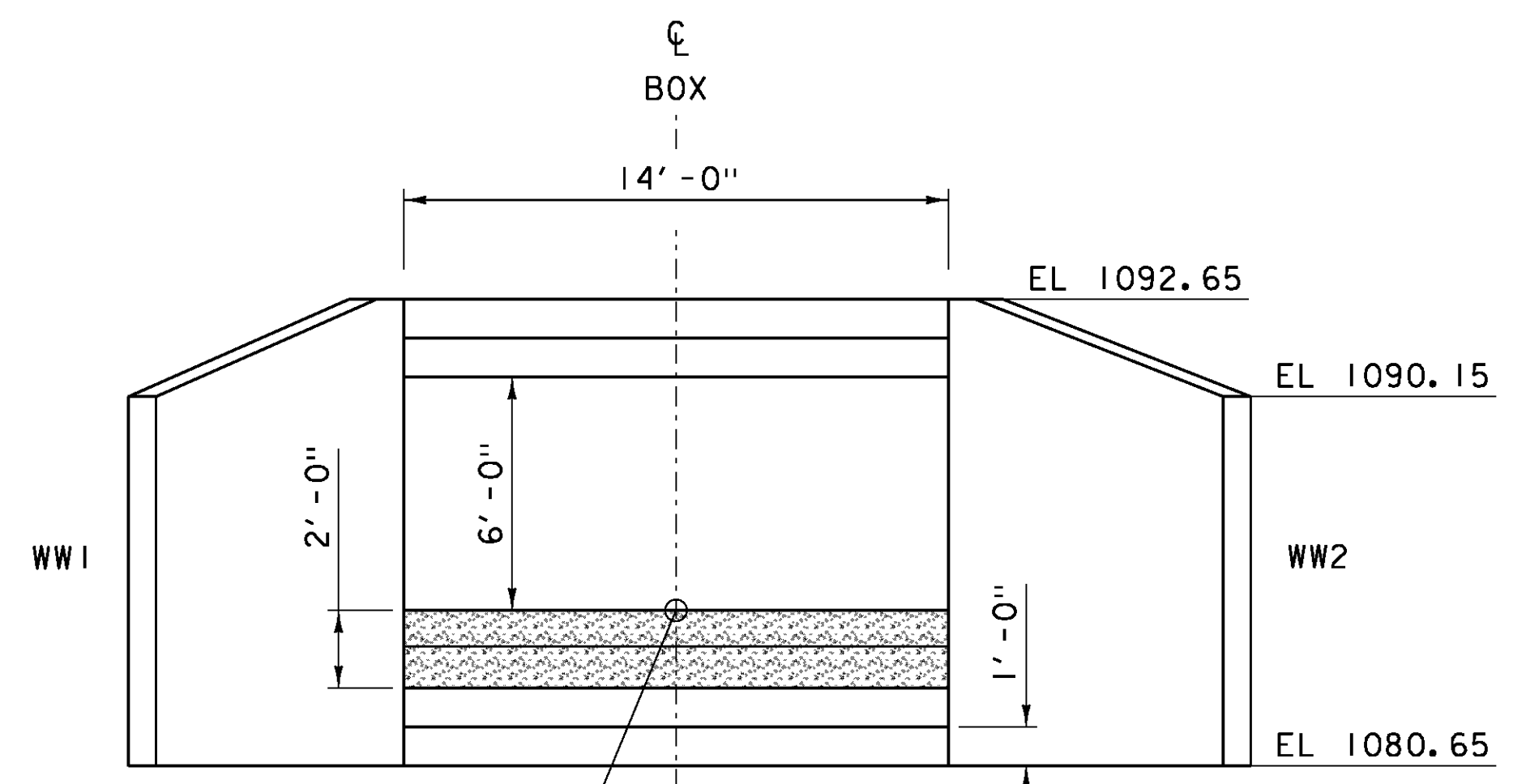
VT 100

OUTLET INVERT
STA 73+72.50
EL 1082.80

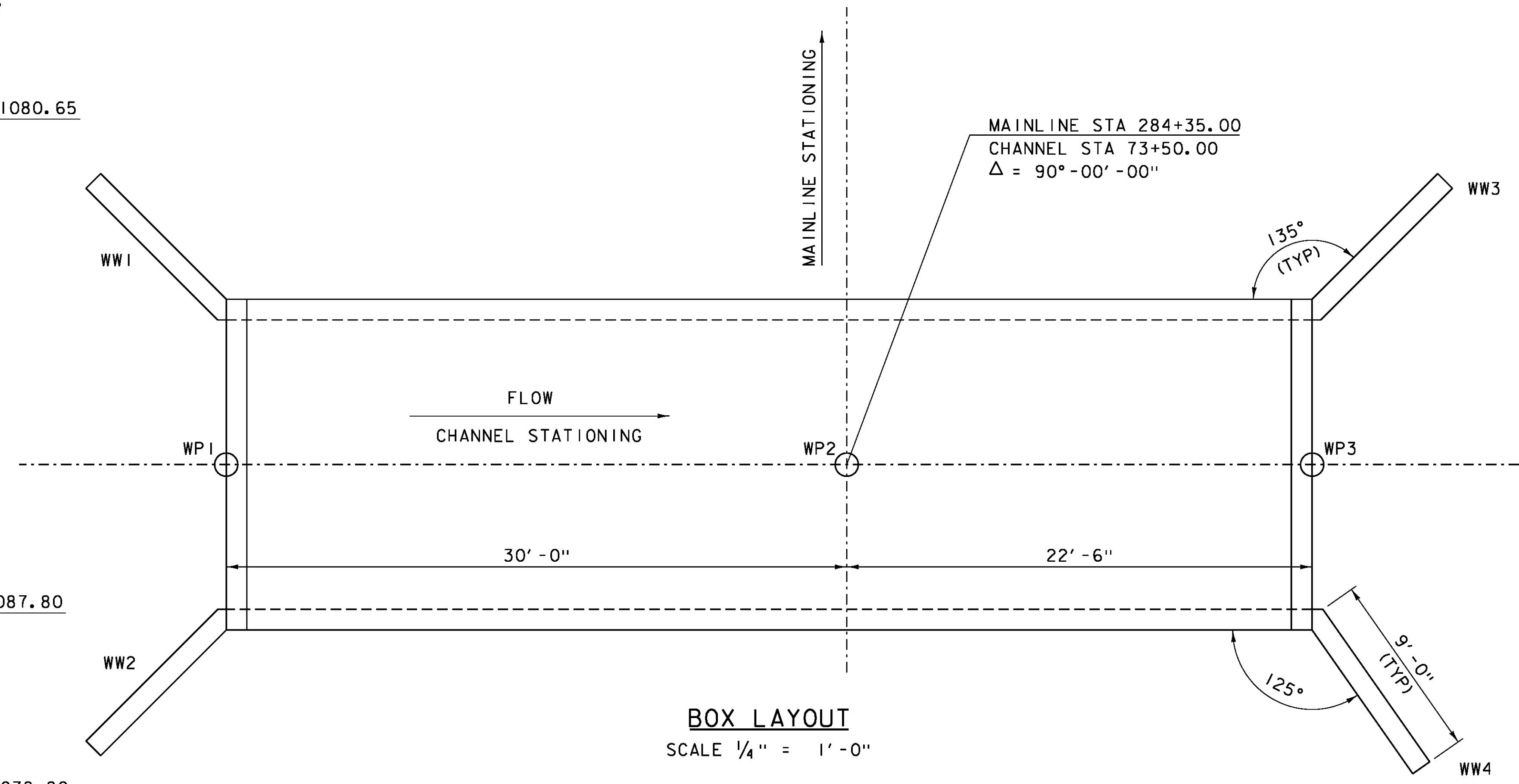
PVI 73+85.00
EL 1082.40



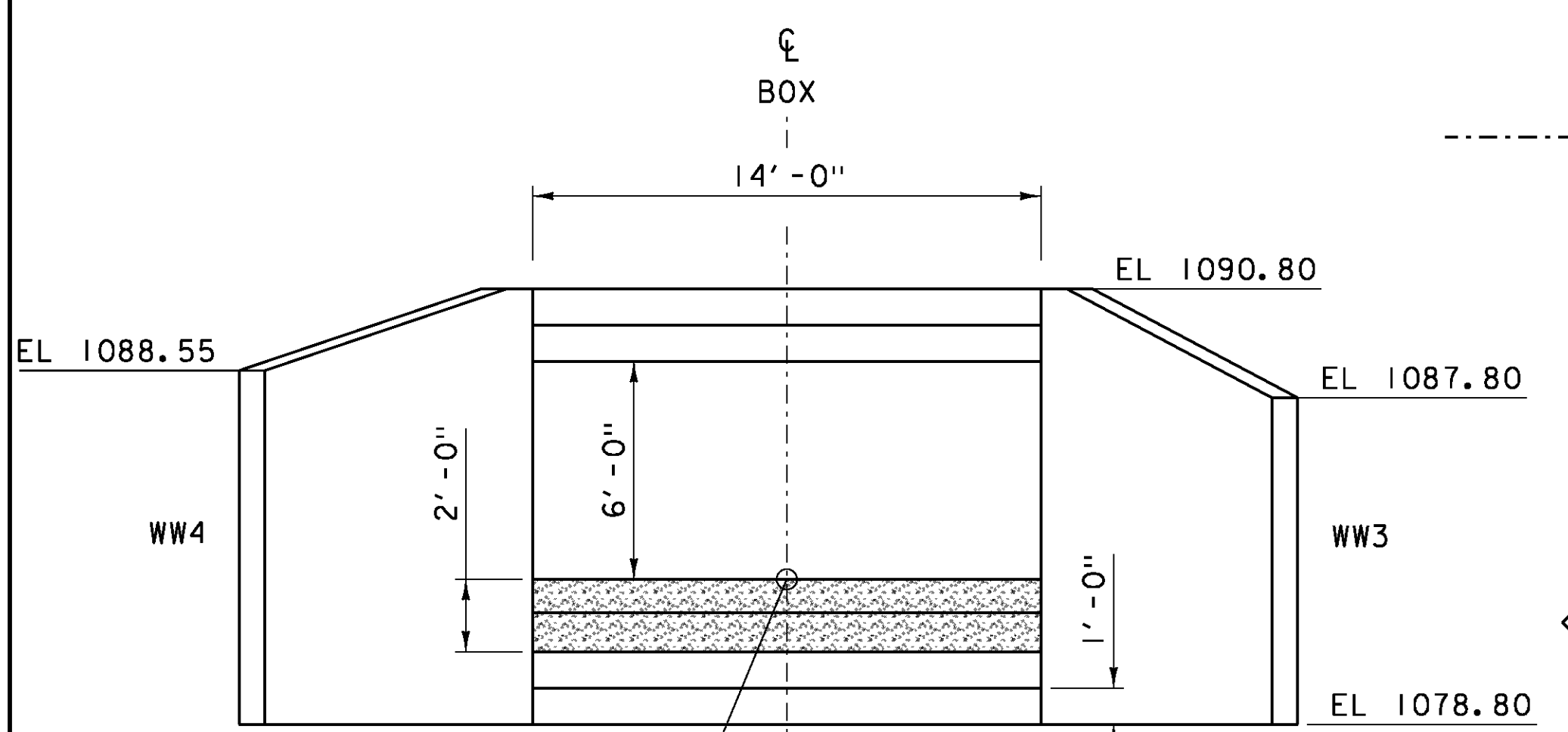
BOX PROFILE
SCALE 1/4" = 1'-0"



INLET ELEVATION
SCALE 1/4" = 1'-0"



BOX LAYOUT
SCALE 1/4" = 1'-0"



OUTLET ELEVATION
SCALE 1/4" = 1'-0"

NOTES:

1. DIMENSIONS SHOWN ARE BASED ON AN ASSUMED WALL THICKNESS OF 1'-0"
2. THE PRECAST BOX SECTIONS ARE SHOWN FOR REFERENCE ONLY. THE ACTUAL DIMENSIONS AND SHAPE WILL BE DEPENDENT ON THE FABRICATOR.

PROJECT NAME: WARDSBORO	PLOT DATE: 26-FEB-2014
PROJECT NUMBER: BF 013-1(22)	DRAWN BY: J. SALVATORI
FILE NAME: sl3b074box.dgn	CHECKED BY: G. LAROCHE
PROJECT LEADER: K. HIGGINS	SHEET 439 OF 444
DESIGNED BY: J. SALVATORI	
BOX LAYOUT	