

STATE OF VERMONT AGENCY OF TRANSPORTATION



PROPOSED IMPROVEMENT BRIDGE PROJECT

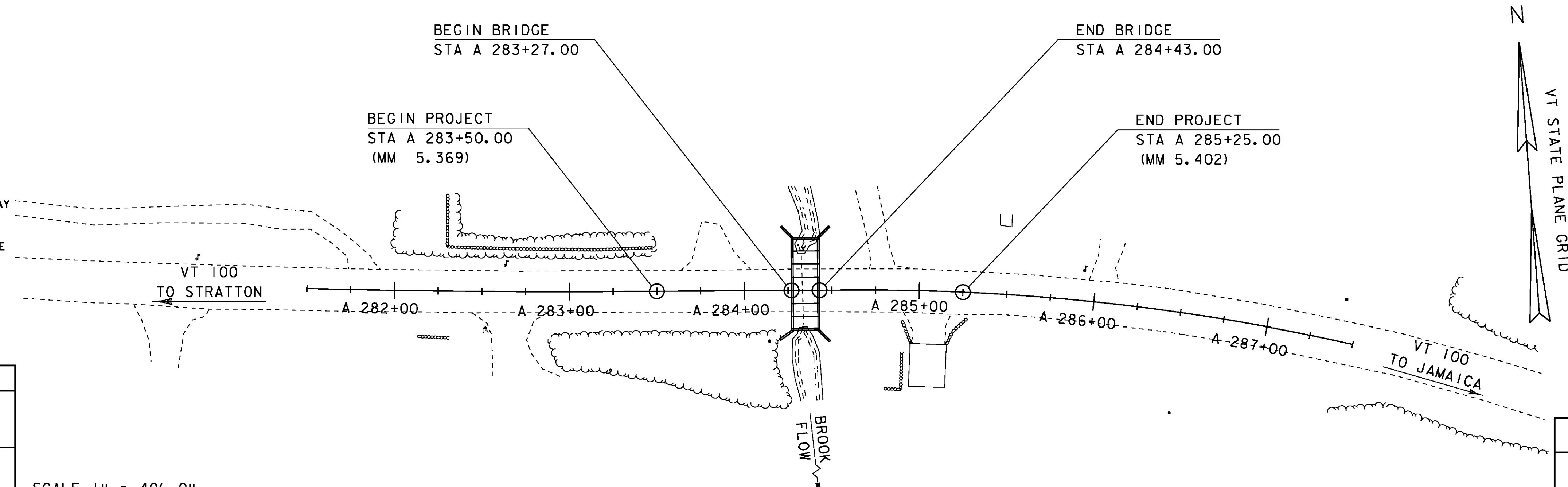
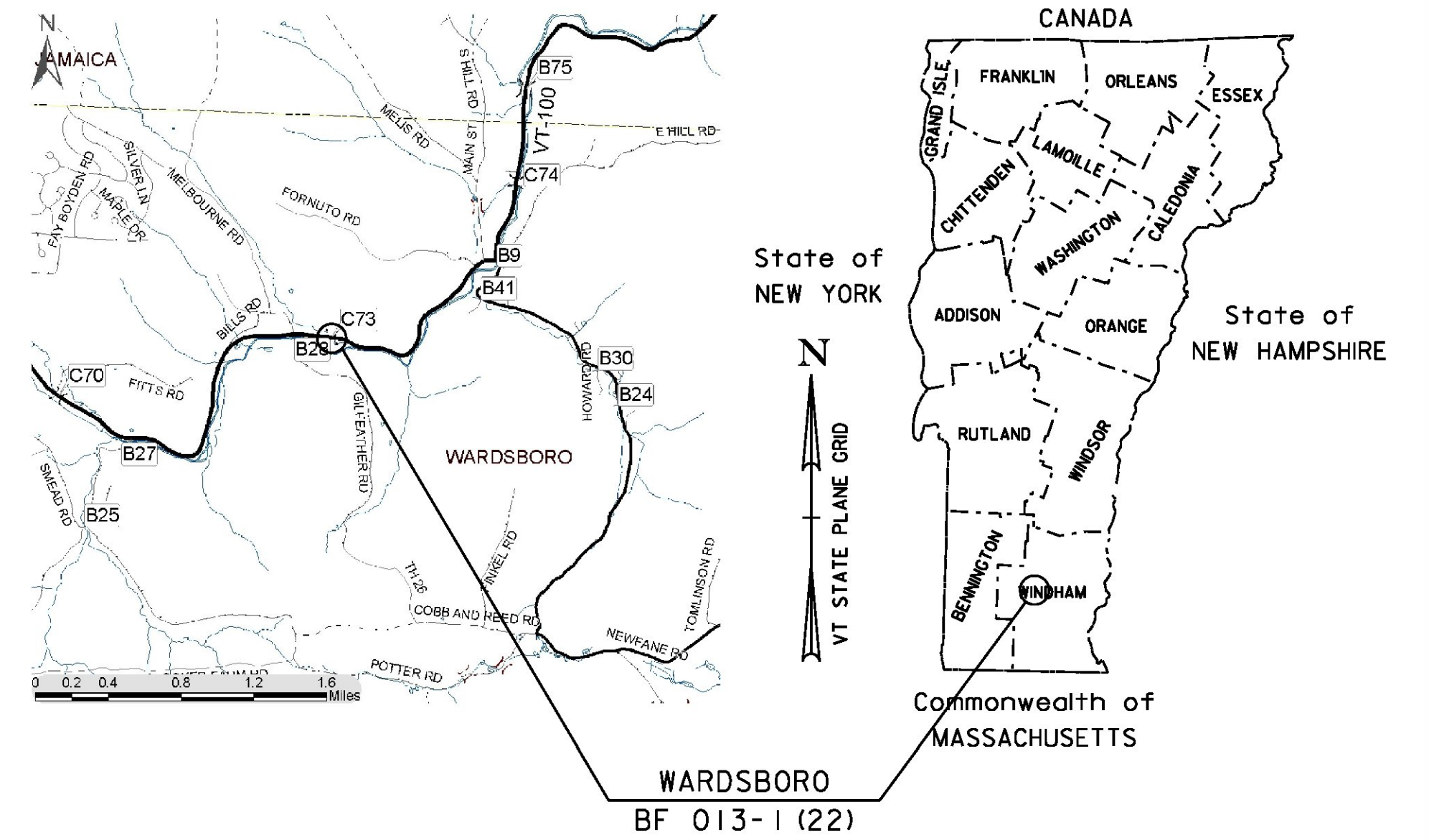
TOWN OF WARDSBORO
COUNTY OF WINDHAM

ROUTE NO : VT ROUTE 100, RURAL MINOR ARTERIAL. CULVERT NO : 73

PROJECT LOCATION: 5.6 MILES SOUTH OF THE JUNCTION OF VT ROUTE 100 AND VT ROUTE 30

PROJECT DESCRIPTION: REMOVAL OF EXISTING STRUCTURE AND REPLACEMENT WITH A NEW PRECAST STRUCTURE.

LENGTH OF STRUCTURE: 16.00 FEET
LENGTH OF ROADWAY: 159.00 FEET
LENGTH OF PROJECT: 175.00 FEET



THESE PLANS ARE SUBJECT TO SUCH ENGINEERING CHANGES AS MAY BE REQUIRED BY THE FEDERAL HIGHWAY ADMINISTRATION OR THE DIRECTOR OF PROGRAM DEVELOPMENT.

CONSTRUCTION IS TO BE CARRIED ON IN ACCORDANCE WITH THESE PLANS AND THE STANDARD SPECIFICATIONS FOR CONSTRUCTION DATED 2011, AS APPROVED BY THE FEDERAL HIGHWAY ADMINISTRATION ON JULY 20, 2011 FOR USE ON THIS PROJECT, INCLUDING ALL SUBSEQUENT REVISIONS AND SUCH REVISED SPECIFICATIONS AND SPECIAL PROVISIONS AS ARE INCORPORATED IN THESE PLANS.

QUALITY ASSURANCE PROGRAM : LEVEL 2

SURVEYED BY : L. ORVIS
SURVEYED DATE : 09/19/2012

DATUM
VERTICAL : NAVD88
HORIZONTAL : NAD 83 (2007)

SCALE 1" = 40'-0"
40 0 40

PROJECT MANAGER : K. HIGGINS, P.E.

PROJECT NAME : WARDSBORO
PROJECT NUMBER : BF 013-1 (22)

SHEET 424 OF 444 SHEETS