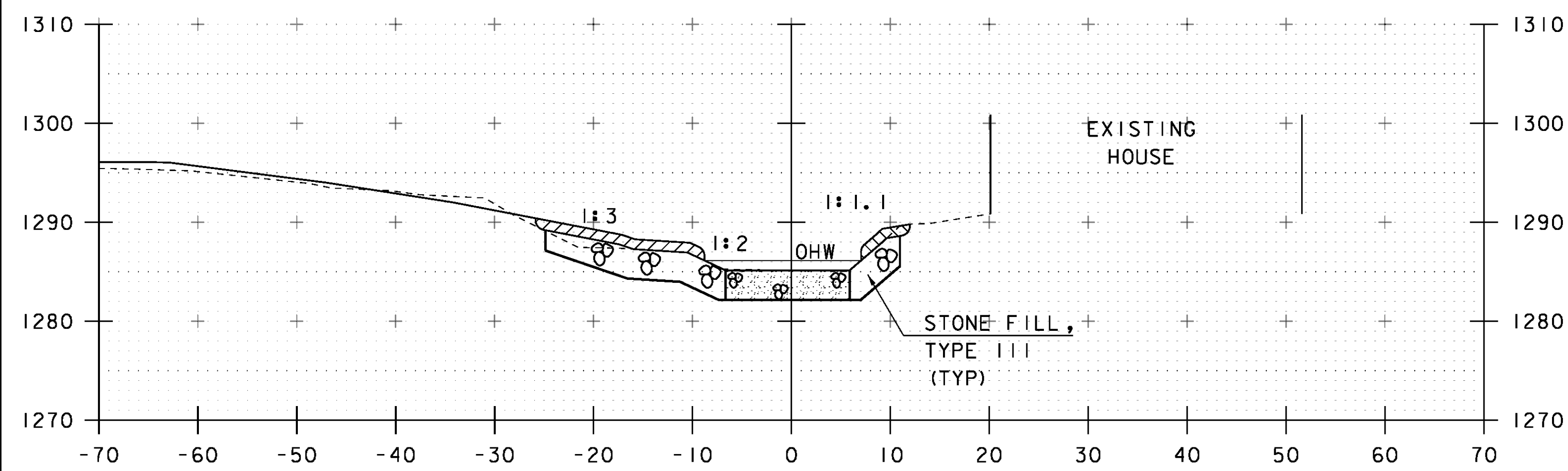


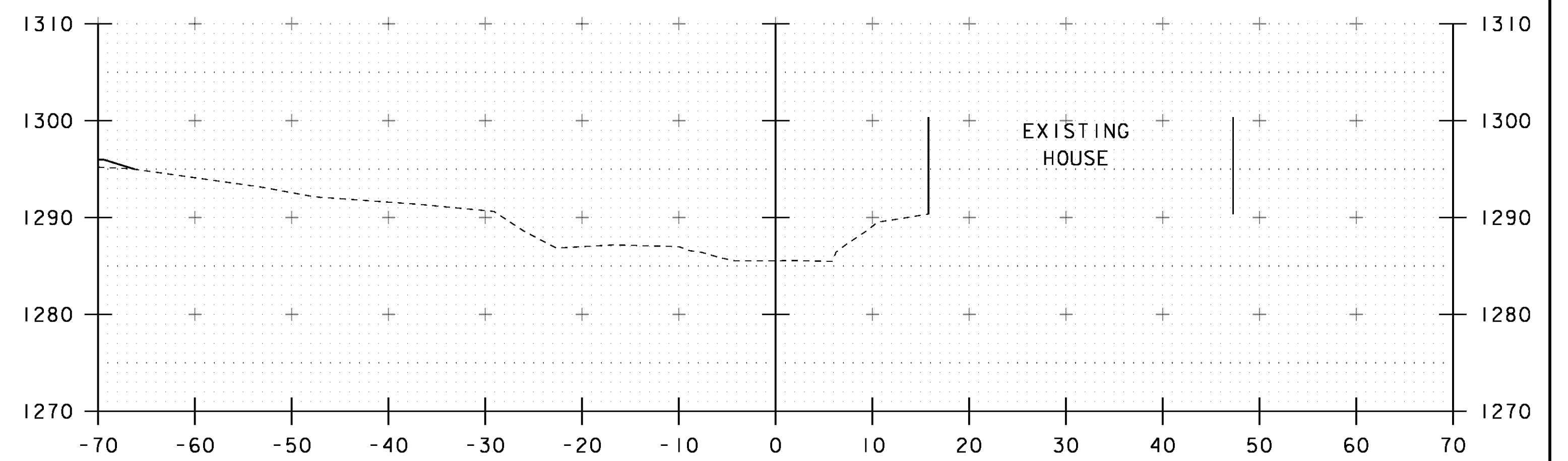
STA 71+37 LT
 END UNCLASSIFIED CHANNEL EXCAVATION
 END GEOTEXTILE UNDER STONE FILL
 END STONE FILL, TYPE III
 END GRUBBING MATERIAL

71+30

STA 71+30 RT
 END UNCLASSIFIED CHANNEL EXCAVATION
 END GEOTEXTILE UNDER STONE FILL
 END STONE FILL, TYPE III
 END GRUBBING MATERIAL



71+25



71+40

STA. 71+25 TO STA. 71+40

| | | |
|------------------------------|----------------------------|------------------------|
| PROJECT NAME: WARDBORO | FILE NAME: sl3b072xsl.dgn | PLOT DATE: 26-FEB-2014 |
| PROJECT NUMBER: BF 013-1(21) | PROJECT LEADER: K. HIGGINS | DRAWN BY: J. SALVATORI |
| | DESIGNED BY: J. SALVATORI | CHECKED BY: G. LAROCHE |
| | CHANNEL SECTIONS 4 | SHEET 421 OF 444 |