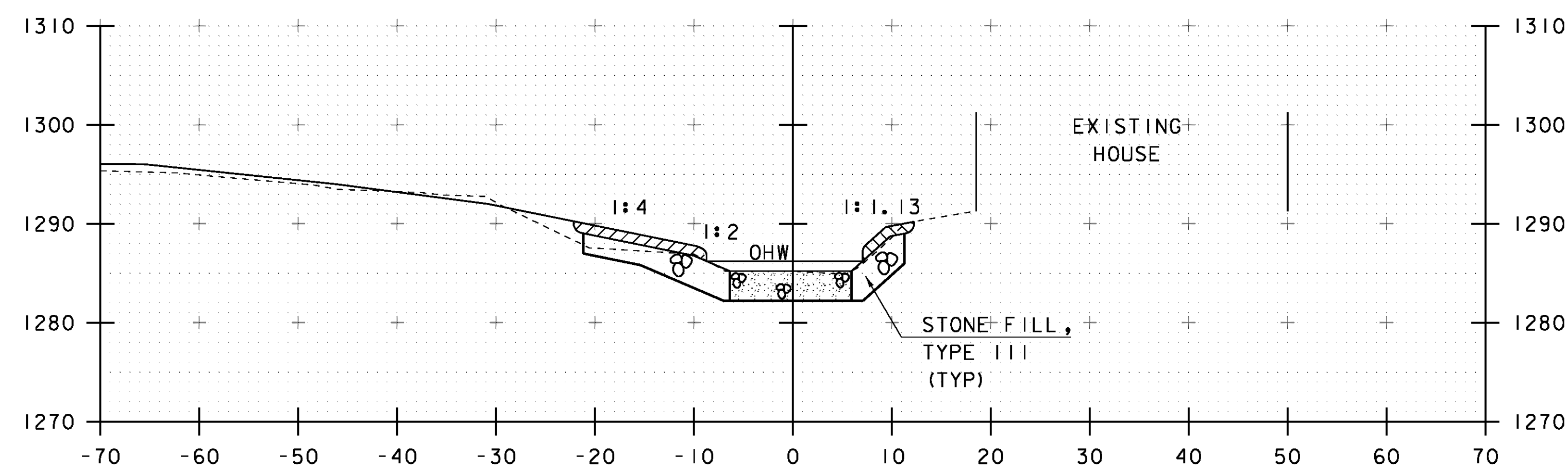
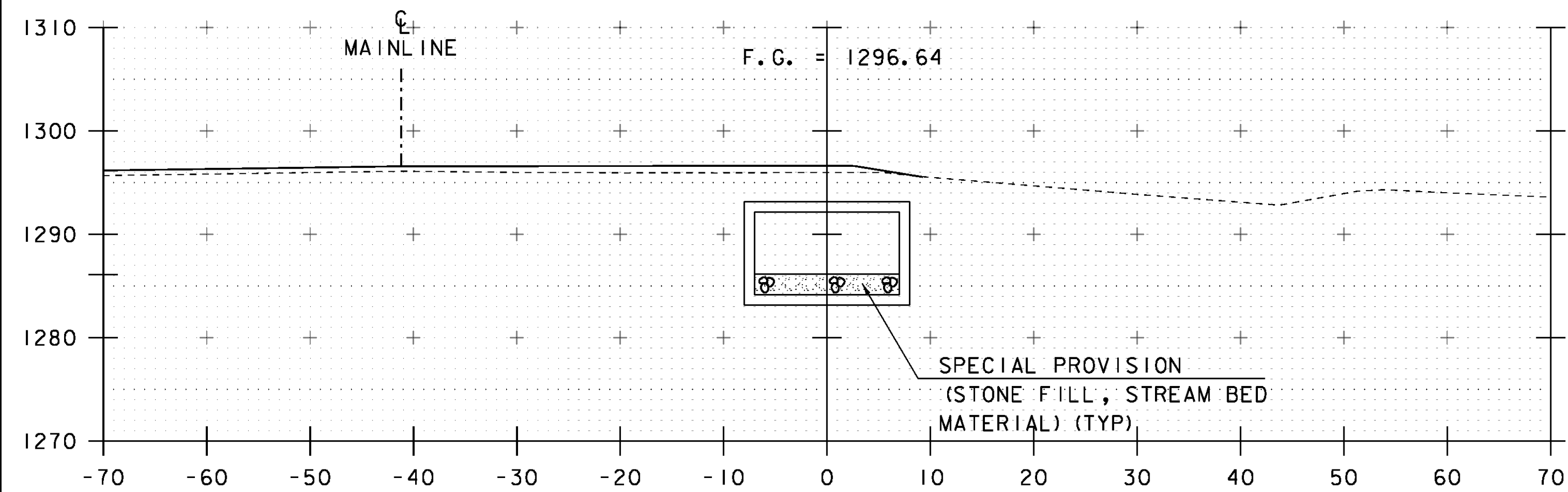


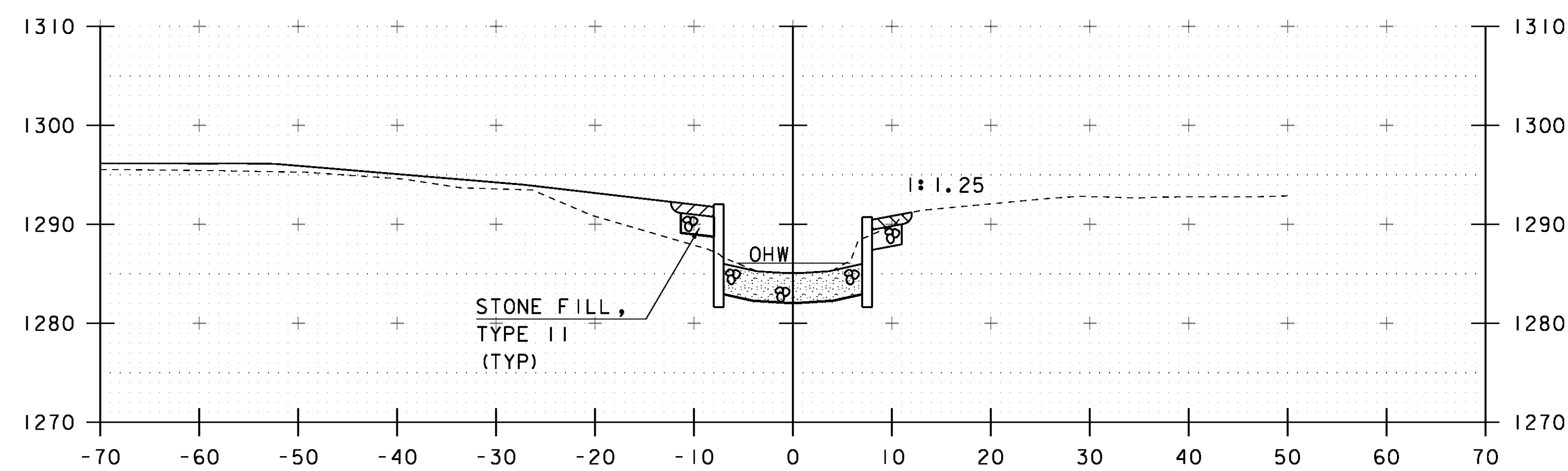
71+00



71+20



70+90



71+10

STA 71+10.00 LT/RT  
 BEGIN UNCLASSIFIED CHANNEL EXCAVATION  
 BEGIN GEOTEXTILE UNDER STONE FILL  
 BEGIN STONE FILL, TYPE III  
 BEGIN GRUBBING MATERIAL

STA. 70+90 TO STA. 71+20

PROJECT NAME: WARDBORO	PLOT DATE: 26-FEB-2014
PROJECT NUMBER: BF 013-1(21)	DRAWN BY: J. SALVATORI
FILE NAME: sl3b072xsl.dgn	CHECKED BY: G. LAROCHE
PROJECT LEADER: K. HIGGINS	SHEET 420 OF 444
DESIGNED BY: J. SALVATORI	
CHANNEL SECTIONS 3	