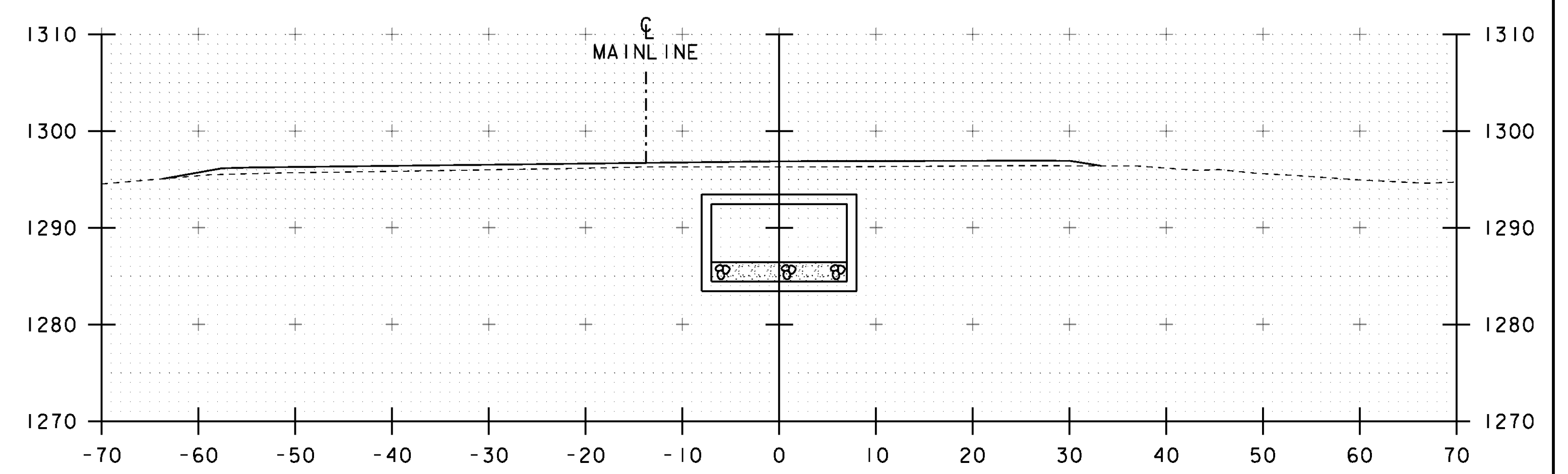
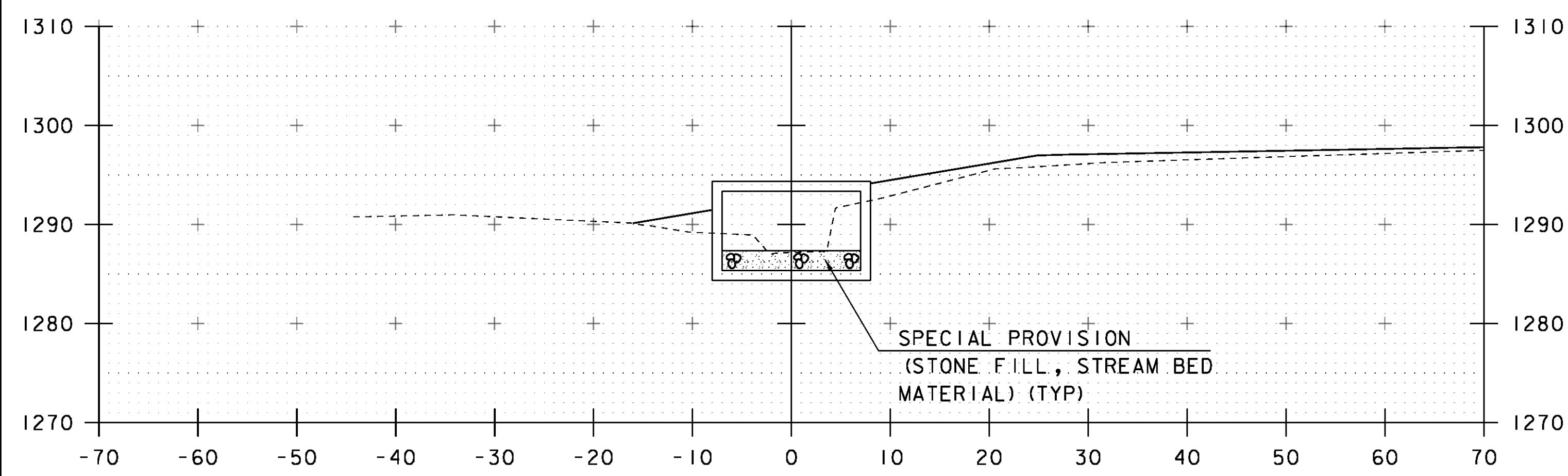


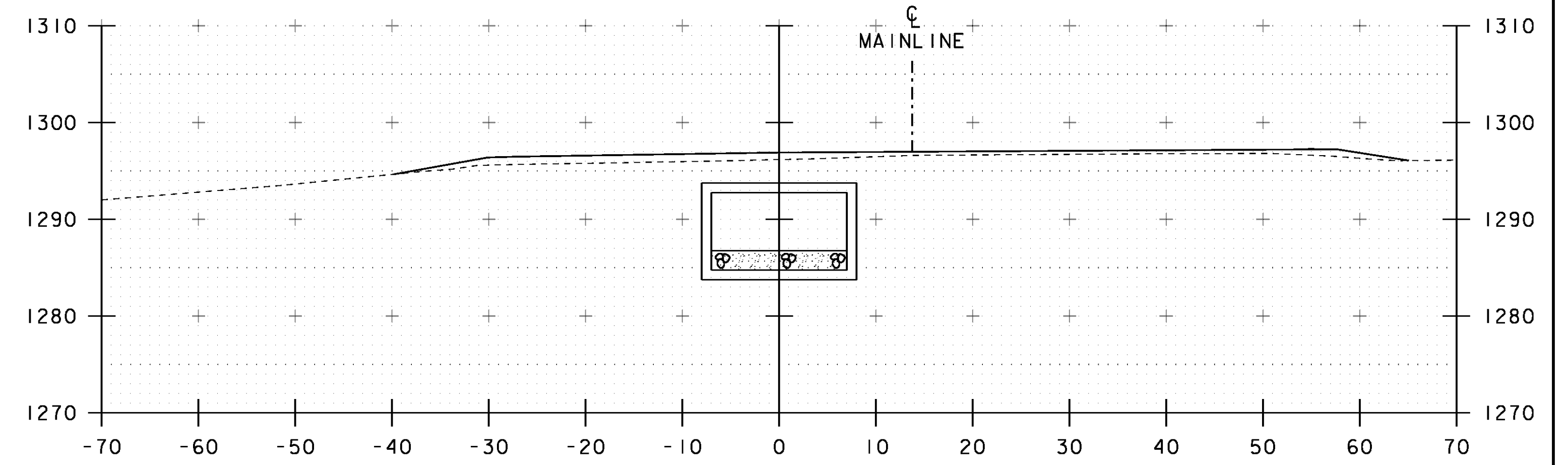
70+60



70+80



70+50



70+70

STA 70+50 LT/RT
 END UNCLASSIFIED CHANNEL EXCAVATION
 END GEOTEXTILE UNDER STONE FILL
 END STONE FILL, TYPE III
 END GRUBBING MATERIAL

STA. 70+50 TO STA. 70+80

PROJECT NAME: WARDBORO	
PROJECT NUMBER: BF 013-1(21)	
FILE NAME: sl3b072xsl.dgn	PLOT DATE: 26-FEB-2014
PROJECT LEADER: K. HIGGINS	DRAWN BY: J. SALVATORI
DESIGNED BY: J. SALVATORI	CHECKED BY: G. LAROCHE
CHANNEL SECTIONS 2	SHEET 419 OF 444