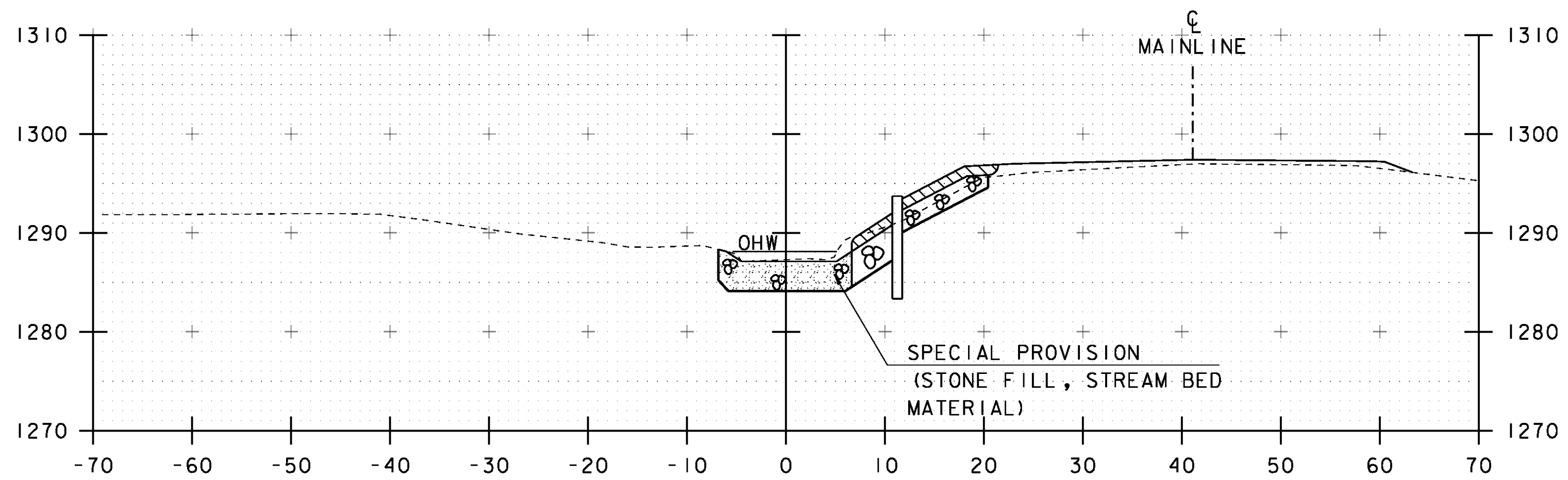
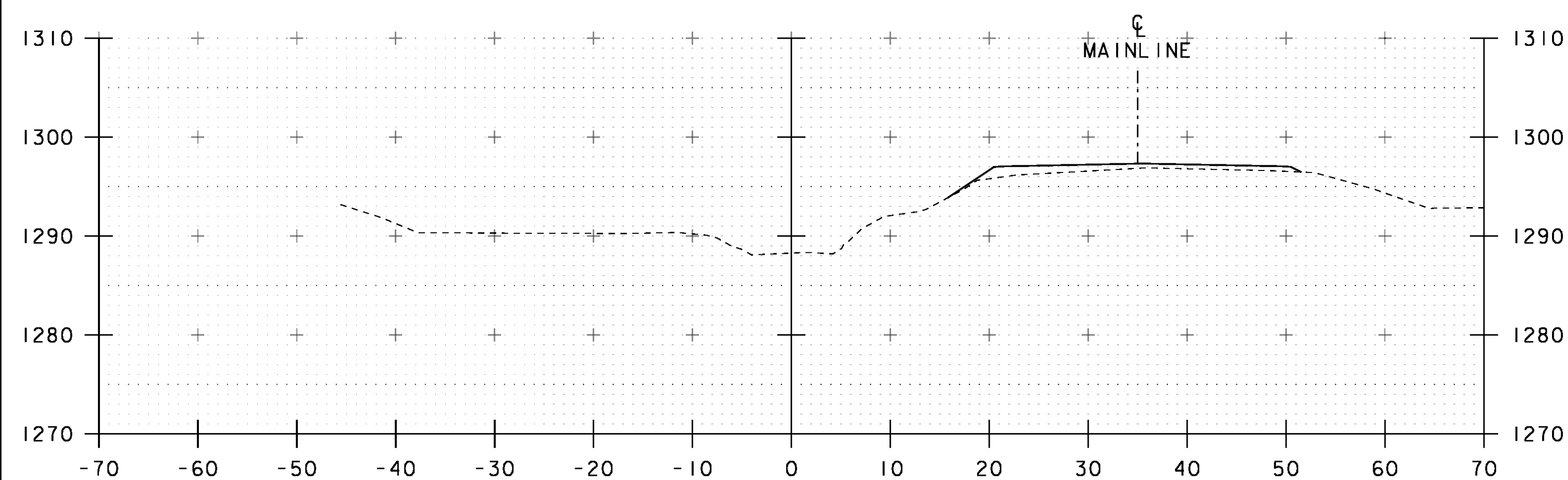


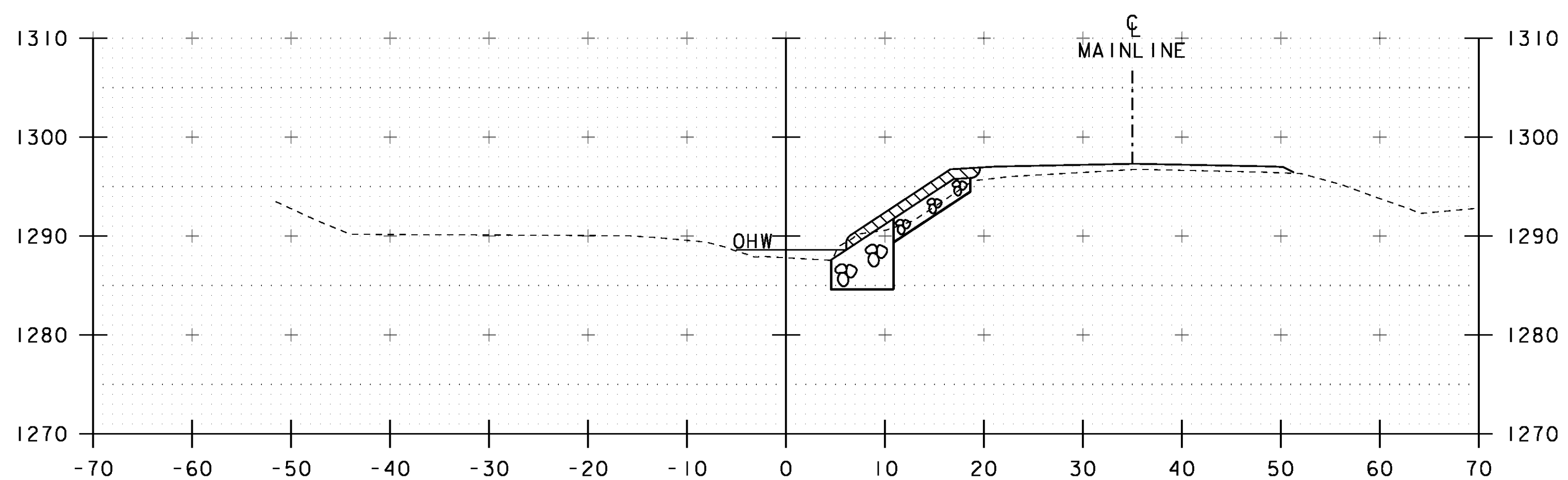
70+25 STA 70+25 RT
 BEGIN UNCLASSIFIED CHANNEL EXCAVATION
 BEGIN GEOTEXTILE UNDER STONE FILL
 BEGIN STONE FILL, TYPE III
 BEGIN GRUBBING MATERIAL



70+40 STA 70+40 LT
 BEGIN UNCLASSIFIED CHANNEL EXCAVATION
 BEGIN GEOTEXTILE UNDER STONE FILL
 BEGIN STONE FILL, TYPE III
 BEGIN GRUBBING MATERIAL



70+20



70+30

STA. 70+20 TO STA. 70+40

PROJECT NAME: WARDBORO	PLOT DATE: 26-FEB-2014
PROJECT NUMBER: BF 013-1(21)	DRAWN BY: J. SALVATORI
FILE NAME: sl3b072xsl.dgn	CHECKED BY: G. LAROCHE
PROJECT LEADER: K. HIGGINS	SHEET 418 OF 444
DESIGNED BY: J. SALVATORI	
CHANNEL SECTIONS 1	