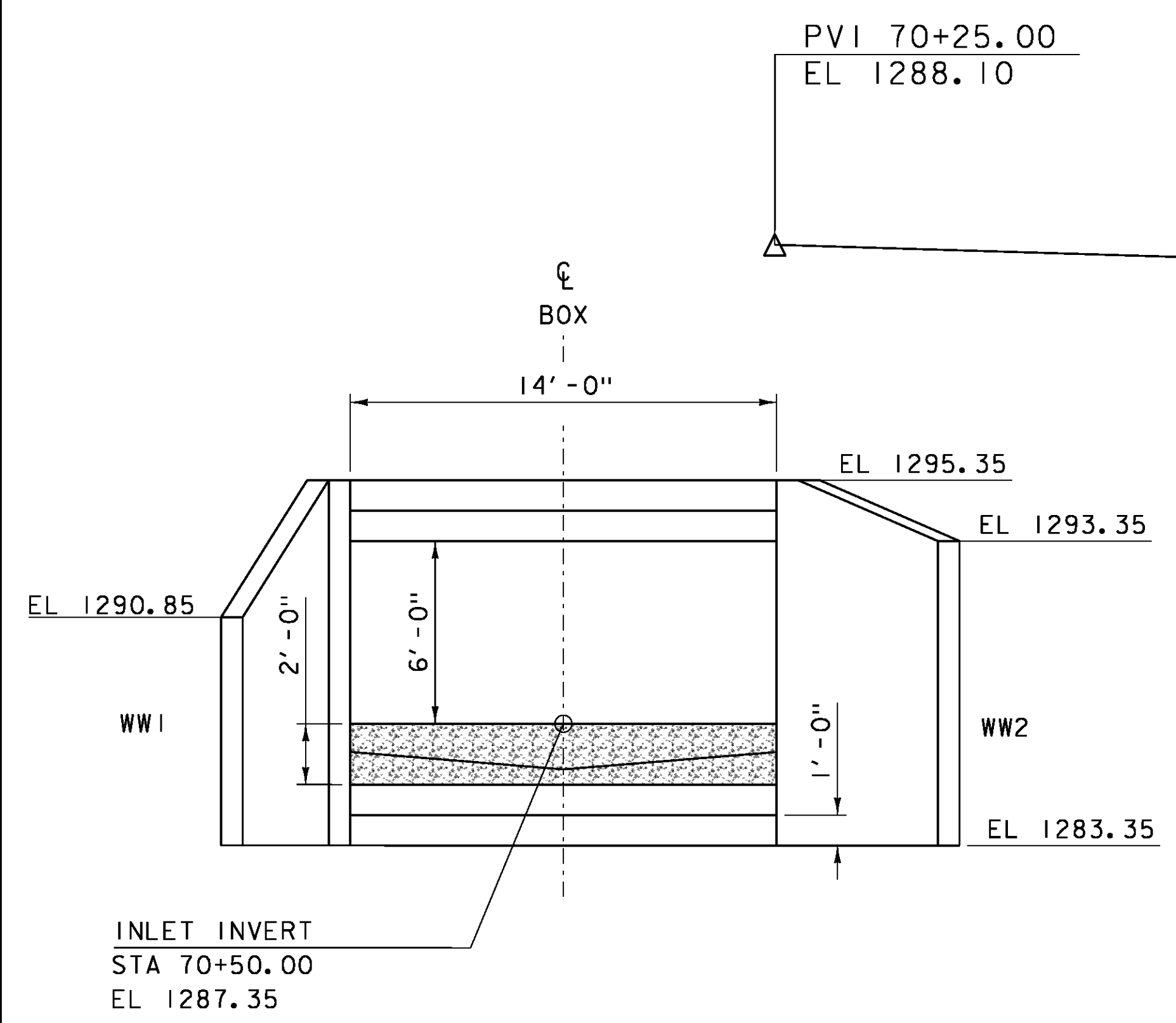
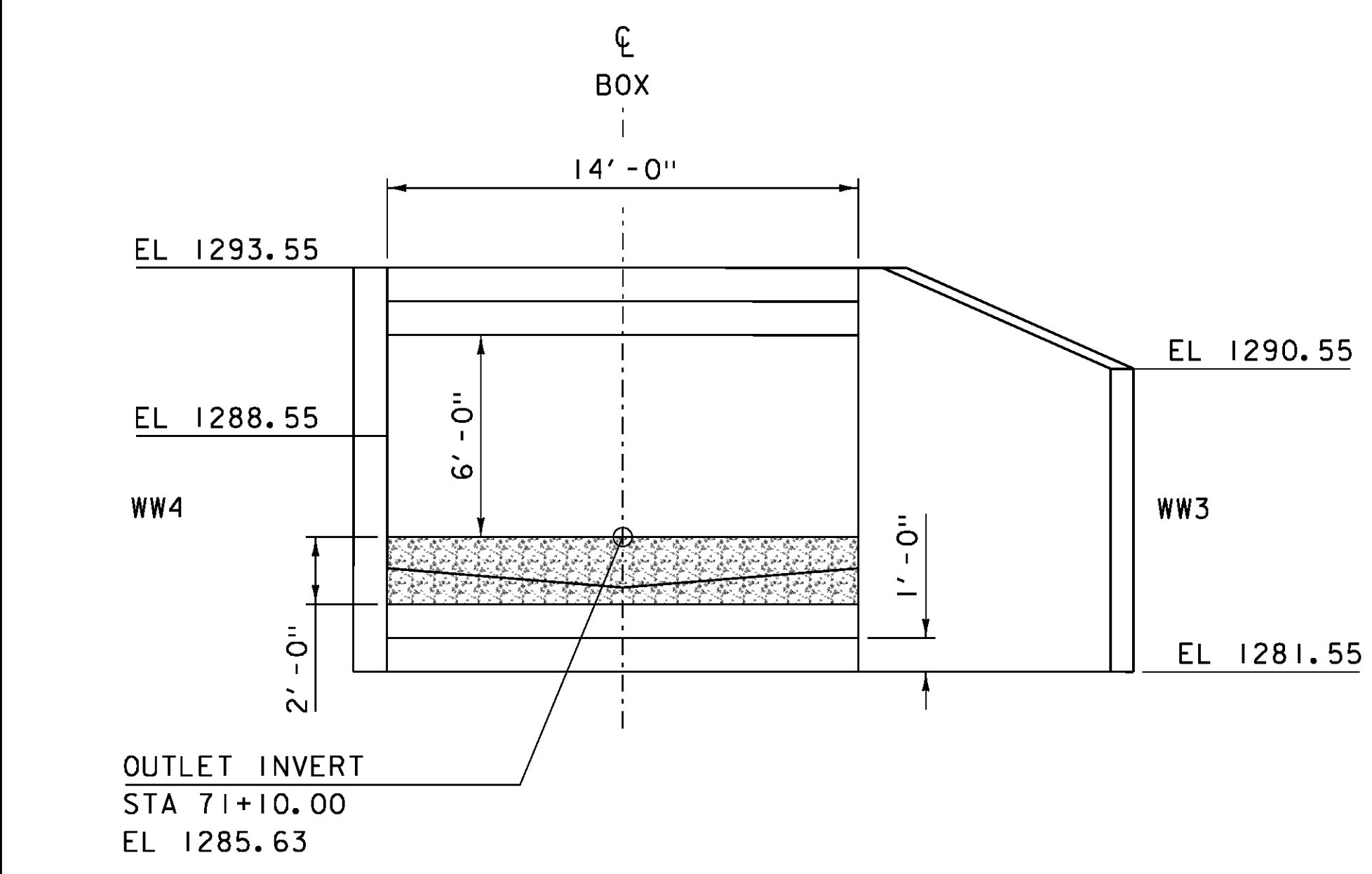


BOX PROFILE
SCALE 1/4" = 1'-0"

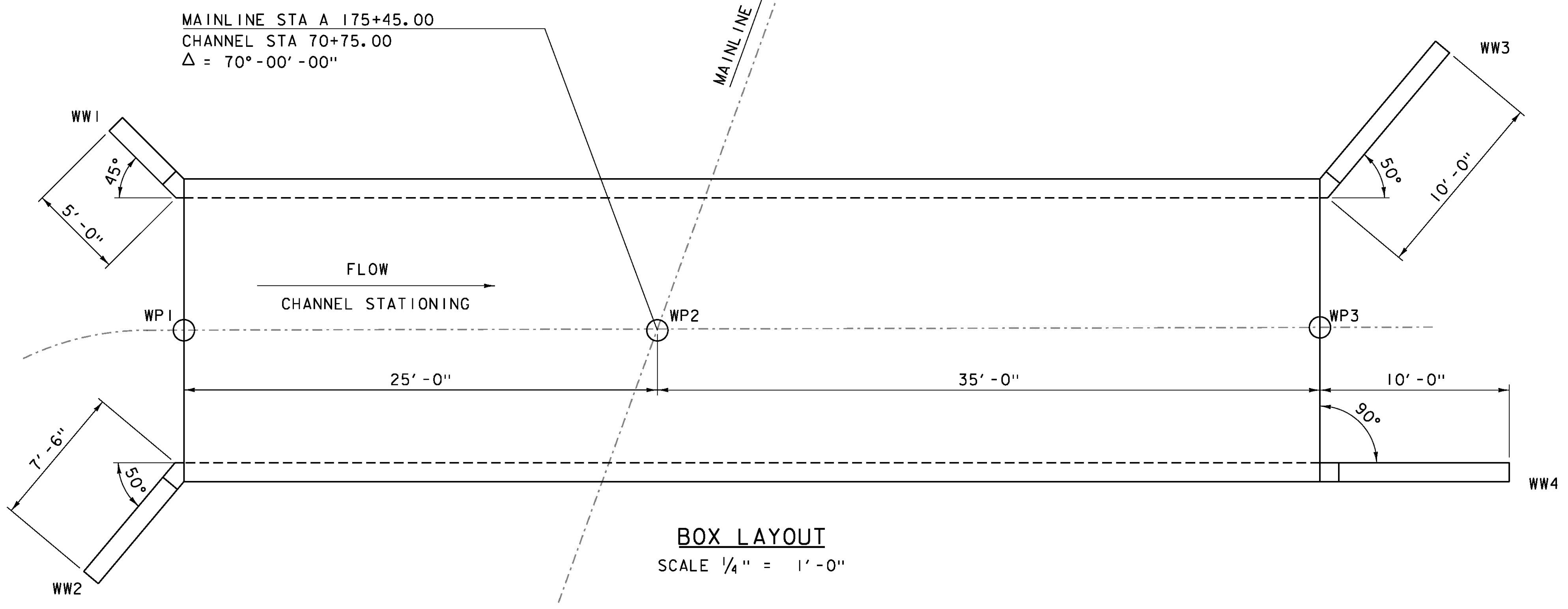


INLET ELEVATION
SCALE 1/4" = 1'-0"



OUTLET ELEVATION
SCALE 1/4" = 1'-0"

- NOTES:**
1. DIMENSIONS SHOWN ARE BASED ON AN ASSUMED WALL THICKNESS OF 1'-0"
 2. THE PRECAST BOX SECTIONS ARE SHOWN FOR REFERENCE ONLY. THE ACTUAL DIMENSIONS AND SHAPE WILL BE DEPENDENT ON THE FABRICATOR.



BOX LAYOUT
SCALE 1/4" = 1'-0"

PROJECT NAME: WARDBORO	PLOT DATE: 26-FEB-2014
PROJECT NUMBER: BF 013-1(21)	DRAWN BY: J. SALVATORI
FILE NAME: sl3b072box.dgn	CHECKED BY: G. LAROCHE
PROJECT LEADER: K. HIGGINS	SHEET 417 OF 444
DESIGNED BY: J. SALVATORI	
BOX LAYOUT	