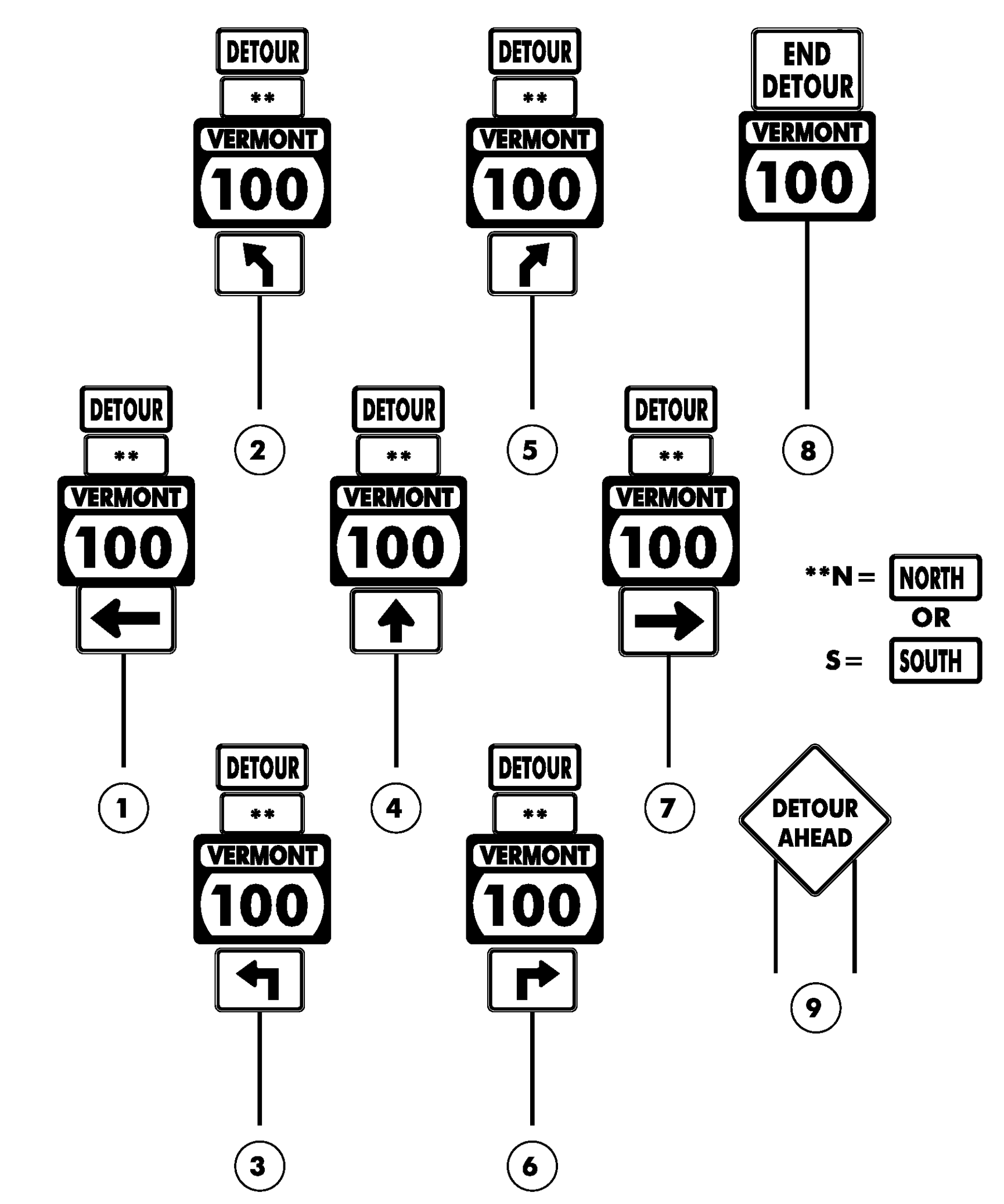


DETOUR PLAN I
NOT TO SCALE



V	T	1	0	0	
C	L	O	S	E	D

PHASE 1

S	O	U	T	H	O	F
W	A	R	D	S	-	
B	O	R	O			

PHASE 2

*	F	R	I		/	D	D	
*	6	P	M	-		M	O	N
	M	/	D	D		6	A	M

PHASE 3

B	R	I	D	G	E		
C	L	O	S	E	D		

PHASE 1

*	F	R	I		/	D	D	
*	6	P	M	-		M	O	N
	M	/	D	D		6	A	M

PHASE 2

M = MONTH
D = DAY
(S-1)

M = MONTH
D = DAY
(S-2)

ROAD CLOSED
XX MILES AHEAD
NO THRU TRAFFIC

10

PROJECT NAME: WARDSBORO
PROJECT NUMBER: BF 013-1(21)
FILE NAME: sl3b074detour.dgn
PROJECT LEADER: K. HIGGINS
DESIGNED BY: J. SALVATORI
DETOUR PLAN I
PLOT DATE: 26-FEB-2014
DRAWN BY: J. SALVATORI
CHECKED BY: M. MILLER
SHEET 408 OF 444