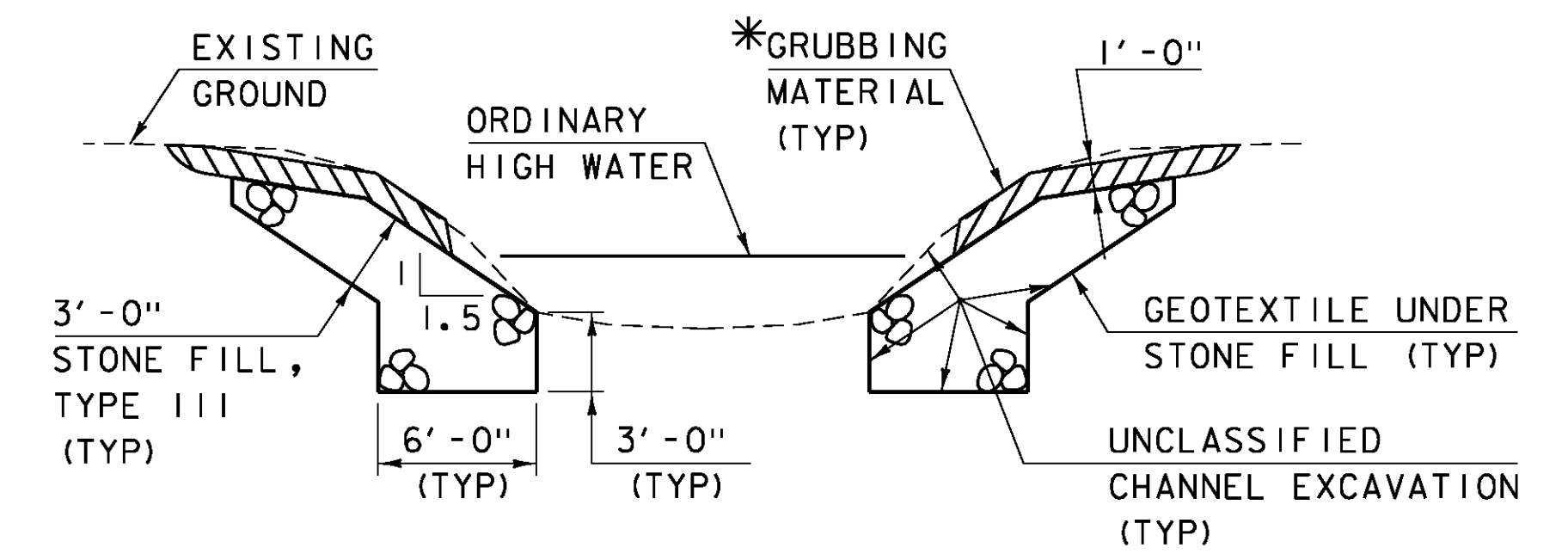
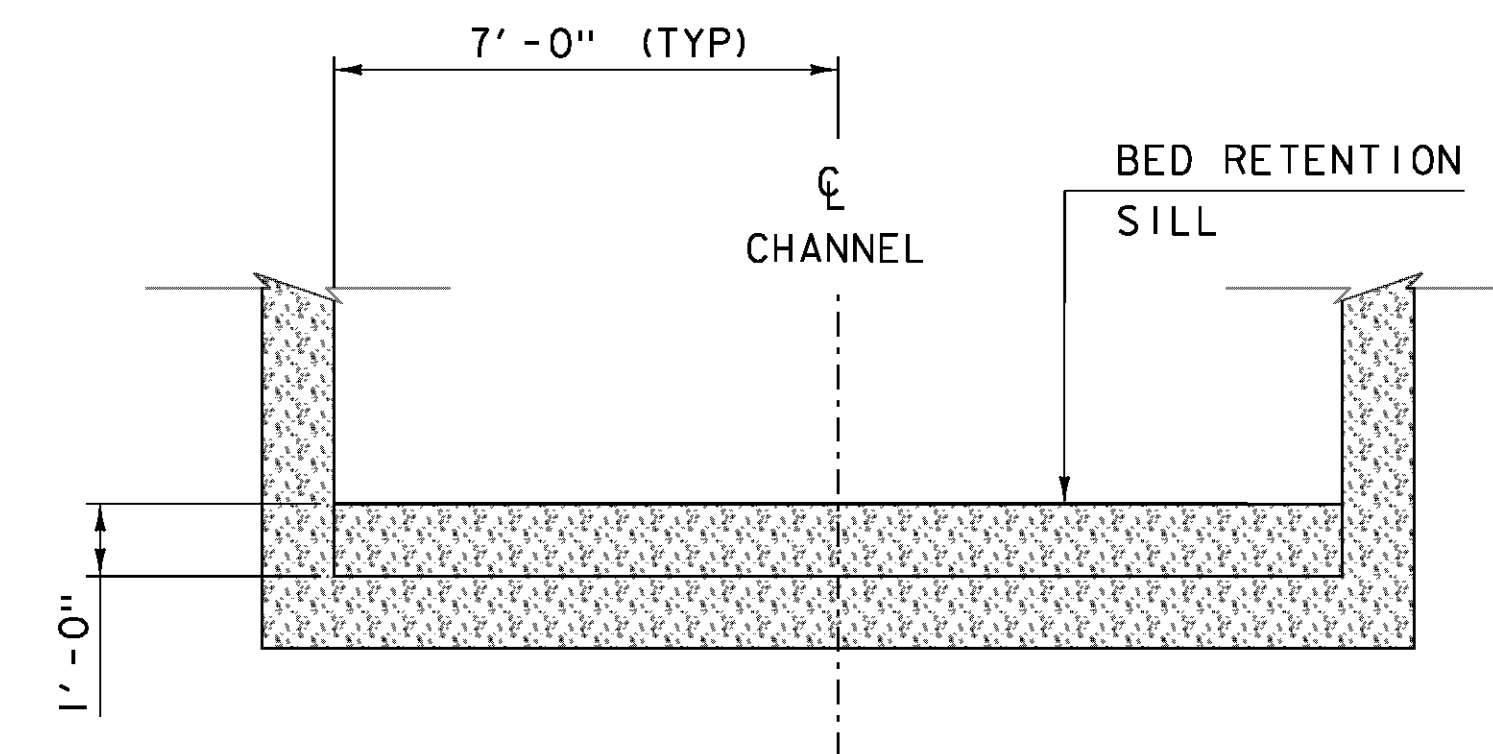


TYPICAL PRECAST BOX CULVERT SECTION
SCALE $\frac{3}{8}'' = 1'-0''$



TYPICAL CHANNEL SECTION
(NOT TO SCALE)

*GRUBBING MATERIAL SHALL NOT BE PLACED ON THE STONE FILL INSIDE THE BOX CULVERT. WHENEVER CHANNEL SLOPE INTERSECTS ROADWAY SUBBASE, GRUBBING MATERIAL SHALL BEGIN AT THE BOTTOM OF SUBBASE.



NOTES:

1. SILLS TO BE SPACED A MAXIMUM OF EVERY 8'-0" AND AT THE INLET AND OUTLET.
2. FABRICATOR TO DETAIL SILL CONNECTION.

BED RETENTION SILL DETAIL
NOT TO SCALE

PROJECT NAME: WARDBORO	PLOT DATE: 26-FEB-2014
PROJECT NUMBER: BF 013-1(21)	DRAWN BY: J. SALVATORI
FILE NAME: sl3b072+yp.dgn	CHECKED BY: G. LAROCHE
PROJECT LEADER: K. HIGGINS	SHEET 405 OF 444
DESIGNED BY: J. SALVATORI	
TYPICAL SECTIONS	