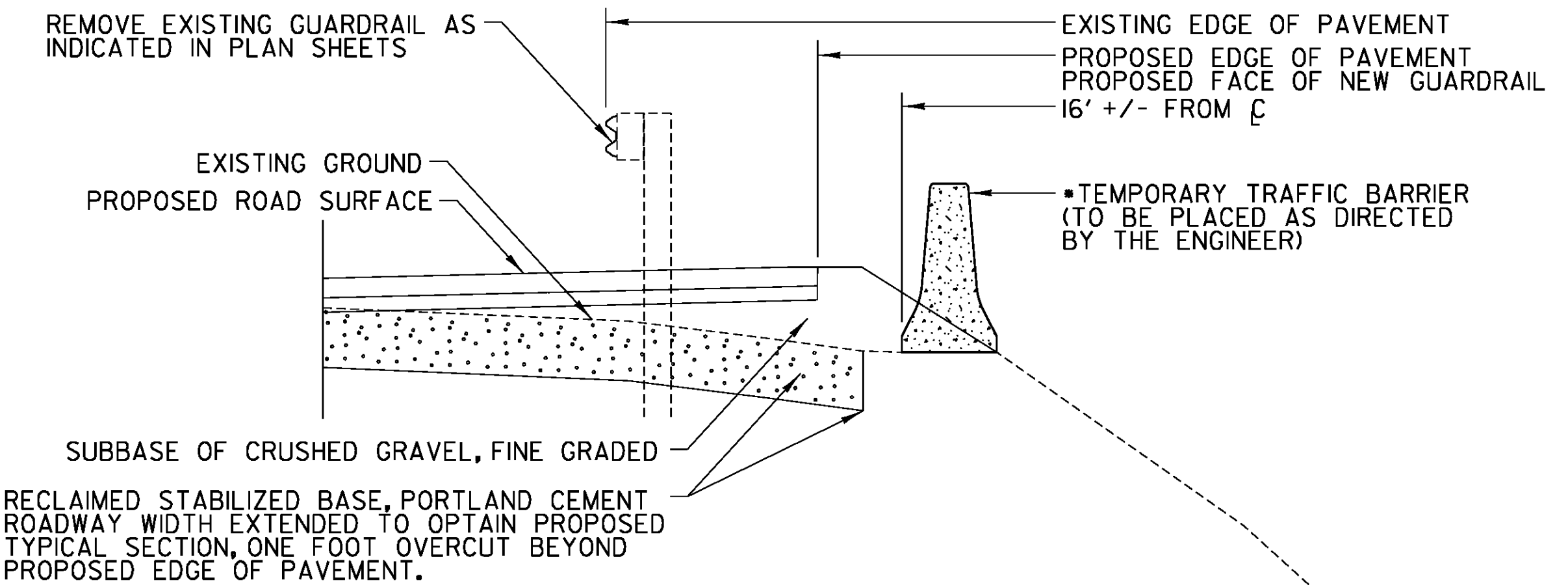
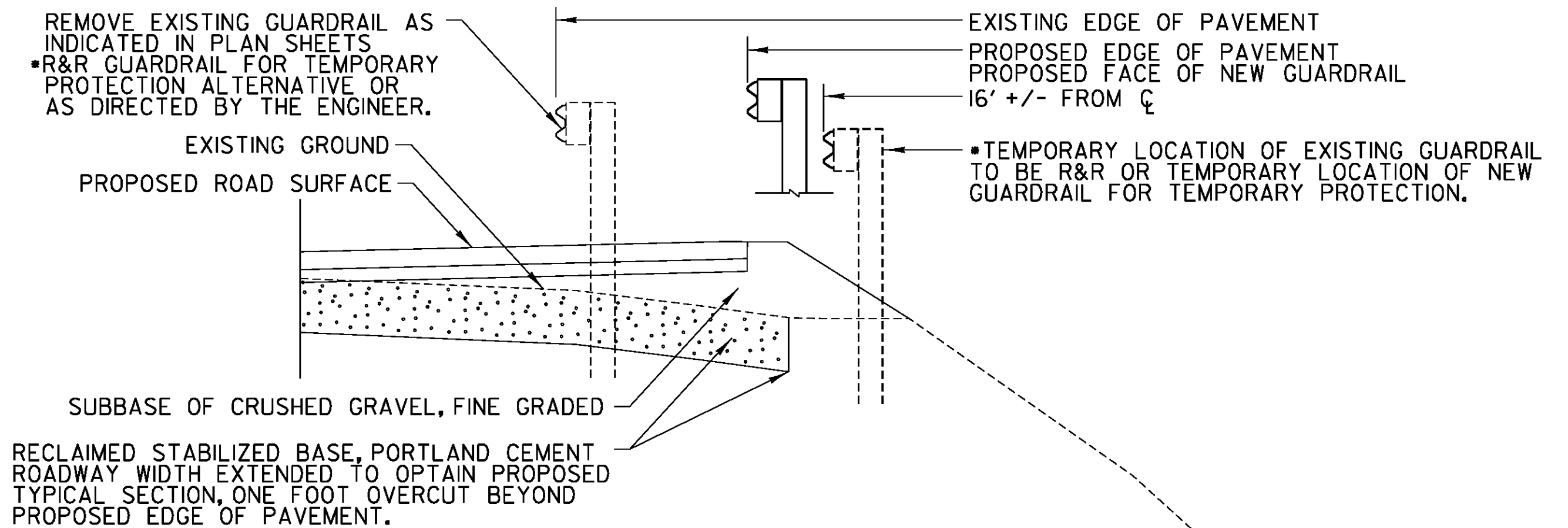


# CONSTRUCTION OPERATIONS TRAFFIC PROTECTION PLAN

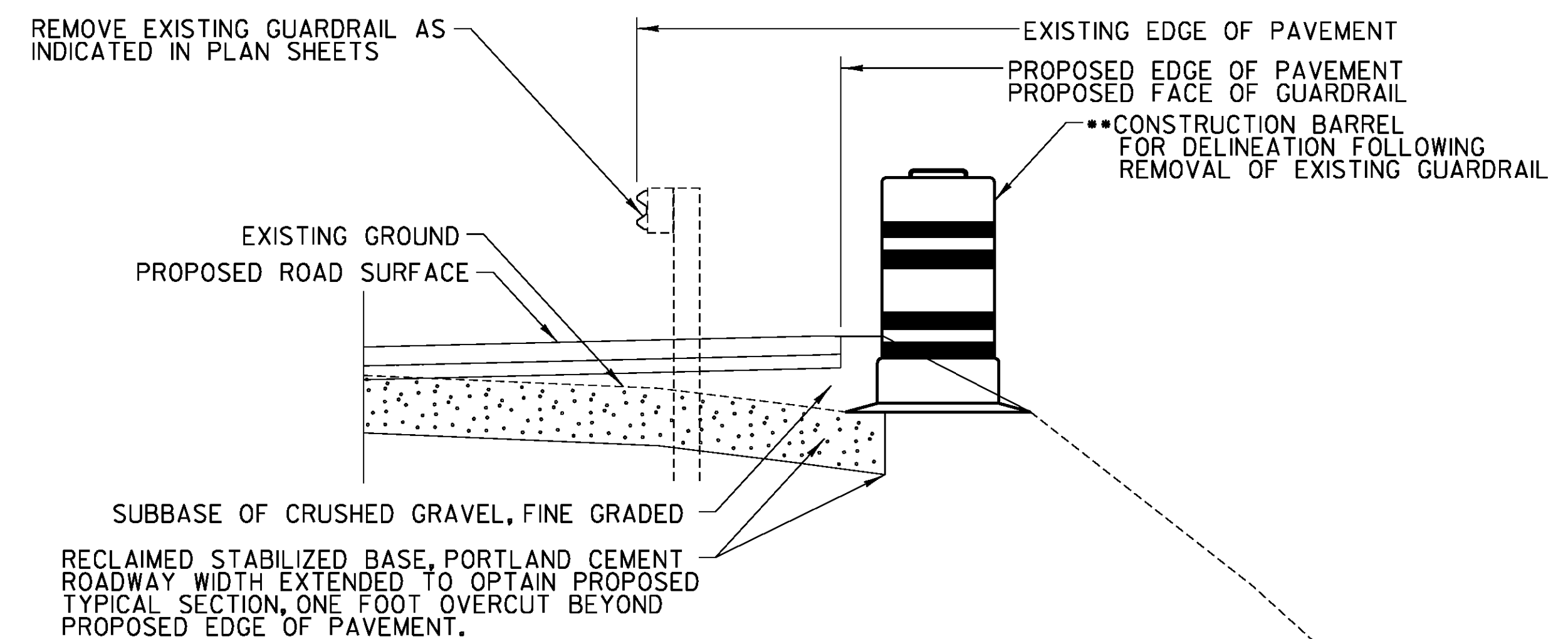
GUARDRAIL RUN NO.	BEGIN GUARDRAIL	END GUARDRAIL	POS.	RECOMMENDED TEMPORARY TRAFFIC PROTECTION	900.640 BARRIER FOR TEMPORARY TRAFFIC PROTECTION
<b>WARDSBORO</b>					(LF)
1	A 0+32	A 6+03	LT	DELINEATE WITH BARRELS DURING CONSTRUCTION	-
2	A 6+73	A 9+91	LT	DELINEATE WITH BARRELS DURING CONSTRUCTION	-
3	A 16+54	A 24+35	RT	DELINEATE WITH BARRELS DURING CONSTRUCTION	-
4	A 17+03	A 23+97	LT	DELINEATE WITH BARRELS DURING CONSTRUCTION	-
5	A 24+89	A 33+98	RT	DELINEATE WITH BARRELS DURING CONSTRUCTION	-
6	A 27+63	A 31+90	LT	DELINEATE WITH BARRELS DURING CONSTRUCTION	-
7	A 41+22	A 47+52	RT	INSTALL TEMPORARY BARRIER, R&R EXISTING GR OR TEMP. INSTALL NEW GR.	630
8	A 47+16	A 51+85	LT	DELINEATE WITH BARRELS DURING CONSTRUCTION	-
9	A 54+40	A 58+69	LT	DELINEATE WITH BARRELS DURING CONSTRUCTION	-
10	A 63+06	A 84+14	LT	DELINEATE WITH BARRELS DURING CONSTRUCTION	-
11	A 83+29	A 101+00	RT	DELINEATE WITH BARRELS DURING CONSTRUCTION	-
12	A 104+50	A 107+45	RT	DELINEATE WITH BARRELS DURING CONSTRUCTION	-
13	A 107+95	A 111+48	RT	DELINEATE WITH BARRELS DURING CONSTRUCTION	-
14	A 125+36	A 127+11	RT	DELINEATE WITH BARRELS DURING CONSTRUCTION	-
15	A 138+51	A 147+87	RT	DELINEATE WITH BARRELS DURING CONSTRUCTION	-
16	A 148+64	A 152+32	LT	DELINEATE WITH BARRELS DURING CONSTRUCTION	-
17	A 151+29	A 151+44	RT	DELINEATE WITH BARRELS DURING CONSTRUCTION	-
18	A 189+13	A 189+87	LT	DELINEATE WITH BARRELS DURING CONSTRUCTION	-
19	A 190+29	A 200+23	RT	DELINEATE WITH BARRELS DURING CONSTRUCTION	-
20	A 200+38	A 211+89	RT	DELINEATE WITH BARRELS DURING CONSTRUCTION	-
21	A 227+01	A 230+06	RT	DELINEATE WITH BARRELS DURING CONSTRUCTION	-
22	A 233+09	A 234+83	RT	DELINEATE WITH BARRELS DURING CONSTRUCTION	-
23	A 262+36	A 269+72	RT	DELINEATE WITH BARRELS DURING CONSTRUCTION	-
24	A 291+15	A 304+27	RT	DELINEATE WITH BARRELS DURING CONSTRUCTION	-
25	A 308+08	A 310+00	RT	INSTALL TEMPORARY BARRIER, R&R EXISTING GR OR TEMP. INSTALL NEW GR.	140
26	A 310+00	A 315+59	RT	DELINEATE WITH BARRELS DURING CONSTRUCTION	-
27	A 318+60	A 327+00	RT	INSTALL TEMPORARY BARRIER, R&R EXISTING GR OR TEMP. INSTALL NEW GR.	840
28	A 332+13	A 340+12	RT	DELINEATE WITH BARRELS DURING CONSTRUCTION	-
29	A 346+97	A 347+90	RT	DELINEATE WITH BARRELS DURING CONSTRUCTION	-
30	A 368+80	A 378+77	RT	INSTALL TEMPORARY BARRIER, R&R EXISTING GR OR TEMP. INSTALL NEW GR.	997
31	A 380+88	A 383+61	RT	DELINEATE WITH BARRELS DURING CONSTRUCTION	-
32	A 384+92	A 388+00	RT	DELINEATE WITH BARRELS DURING CONSTRUCTION	-
<b>JAMAICA</b>					
32	B 0+00	B 0+43	RT	DELINEATE WITH BARRELS DURING CONSTRUCTION	-
33	B 12+87	B 25+00	LT	INSTALL TEMPORARY BARRIER, R&R EXISTING GR OR TEMP. INSTALL NEW GR.	1213
34	B 39+17	B 50+12	LT	DELINEATE WITH BARRELS DURING CONSTRUCTION	-
35	B 58+19	B 58+83	RT	DELINEATE WITH BARRELS DURING CONSTRUCTION	-
36	B 58+19	B 60+00	LT	DELINEATE WITH BARRELS DURING CONSTRUCTION	-
36	B 60+00	B 62+72	LT	INSTALL TEMPORARY BARRIER, R&R EXISTING GR OR TEMP. INSTALL NEW GR.	272
37	B 69+92	B 73+00	LT	DELINEATE WITH BARRELS DURING CONSTRUCTION	-
37	B 73+00	B 77+44	LT	INSTALL TEMPORARY BARRIER, R&R EXISTING GR OR TEMP. INSTALL NEW GR.	444
38	B 133+25	B 140+15	RT	INSTALL TEMPORARY BARRIER, R&R EXISTING GR OR TEMP. INSTALL NEW GR.	690
39	B 144+19	B 148+76	RT	INSTALL TEMPORARY BARRIER, R&R EXISTING GR OR TEMP. INSTALL NEW GR.	457
40	B 153+10	B 155+39	RT	DELINEATE WITH BARRELS DURING CONSTRUCTION	-
41	B 154+13	B 155+39	LT	DELINEATE WITH BARRELS DURING CONSTRUCTION	-
42	B 159+80	B 161+24	RT	DELINEATE WITH BARRELS DURING CONSTRUCTION	-
43	B 161+89	B 163+38	RT	DELINEATE WITH BARRELS DURING CONSTRUCTION	-
44	B 171+27	B 174+75	RT	INSTALL TEMPORARY BARRIER, R&R EXISTING GR OR TEMP. INSTALL NEW GR.	348
44	B 174+75	B 176+25	RT	DELINEATE WITH BARRELS DURING CONSTRUCTION	-
45	B 173+78	B 179+61	LT	DELINEATE WITH BARRELS DURING CONSTRUCTION	-
46	B 176+54	B 179+55	RT	DELINEATE WITH BARRELS DURING CONSTRUCTION	-
<b>TOTALS</b>					<b>6031</b>



\*PAYMENT FOR THIS WORK SHALL BE MADE UNDER ITEM 900.640 SPECIAL PROVISION (BARRIER FOR TEMPORARY TRAFFIC PROTECTION)



\*PAYMENT FOR THIS WORK SHALL BE MADE UNDER ITEM 900.640 SPECIAL PROVISION (BARRIER FOR TEMPORARY TRAFFIC PROTECTION)



\*\*PAYMENT FOR THIS WORK WILL BE INCLUDED IN THE UNIT PRICE BID FOR ITEM 641.10

## TEMPORARY TRAFFIC PROTECTION AND DELINEATION DETAILS DURING CONSTRUCTION

NOT TO SCALE

PROJECT NAME:	WARDSBORO-JAMAICA
PROJECT NUMBER:	ER STP 013-1(17)
FILE NAME:	dl2b236_frm.dgn
PLOT DATE:	2/26/2014
PROJECT LEADER:	K. UPMAL
DRAWN BY:	B. KIPP
DESIGNED BY:	B. KIPP
CHECKED BY:	A. KEMPTON
CONS. OPERATIONS TRAFFIC PROTECTION PLAN SHEET 400 OF 444	