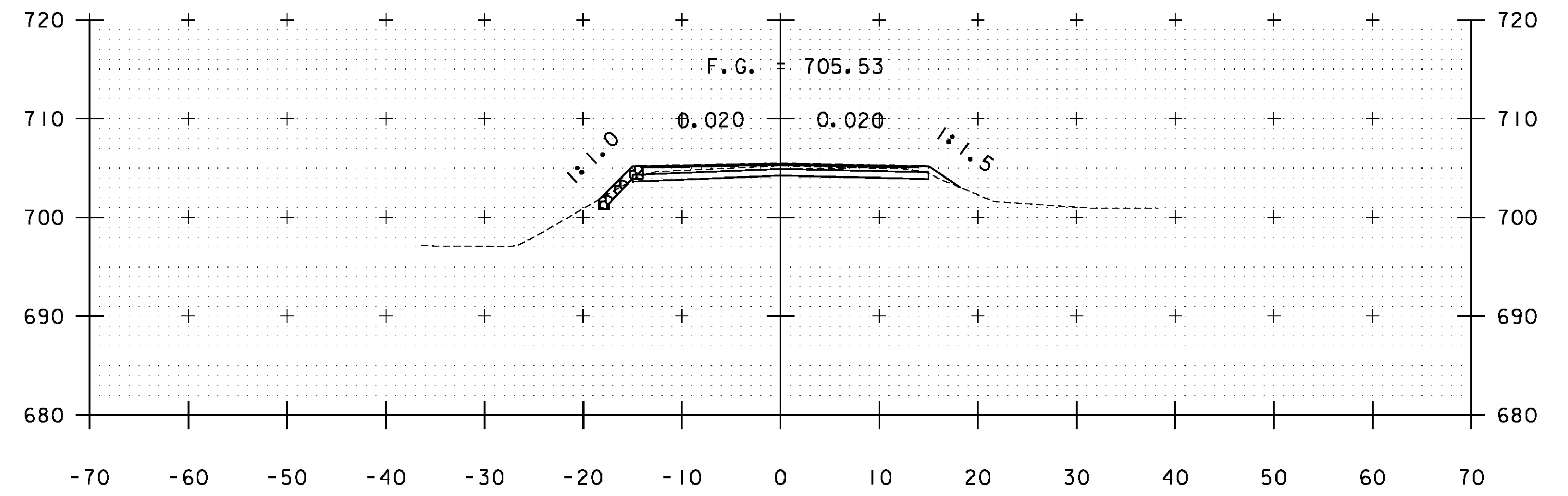
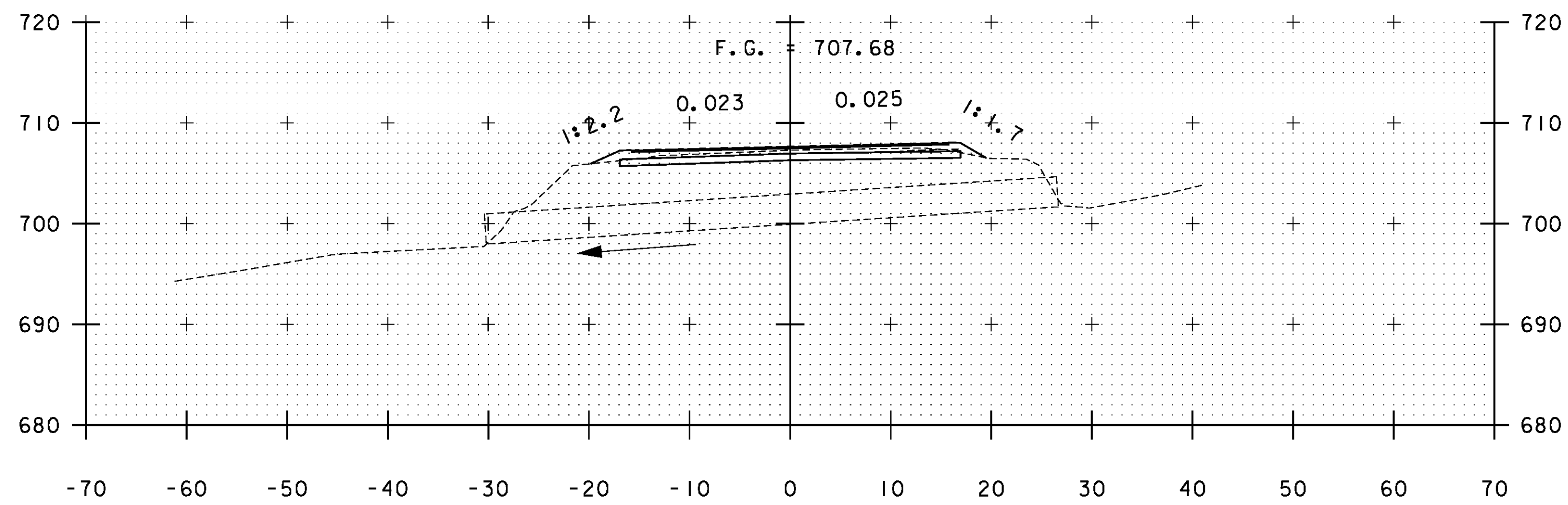


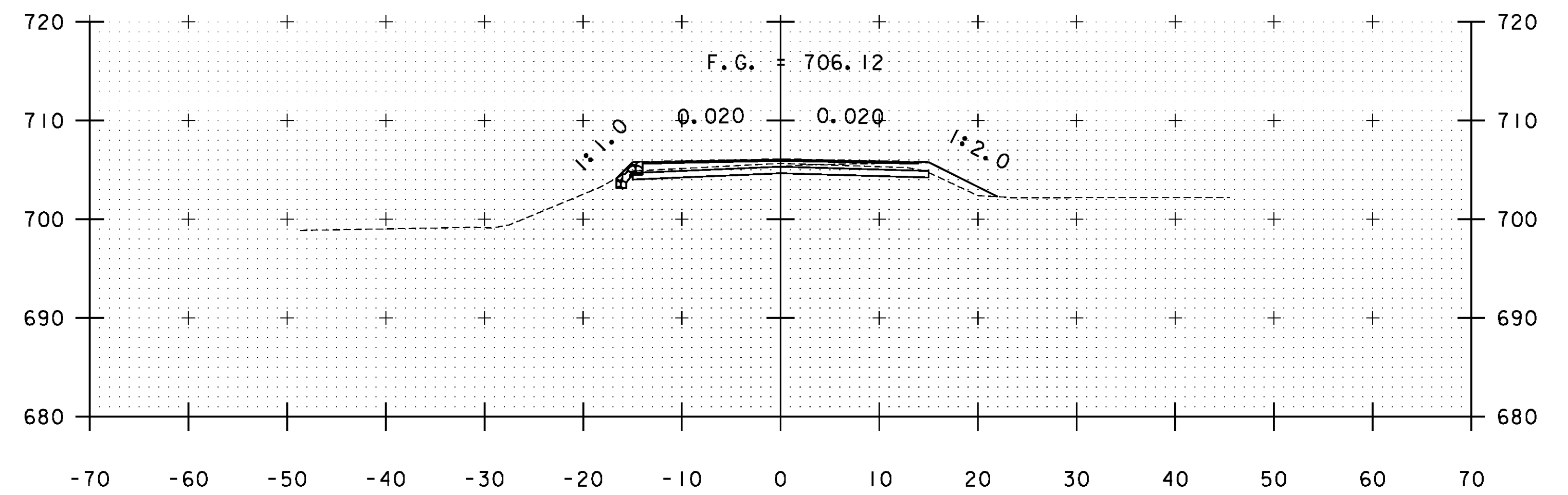
B 110+50



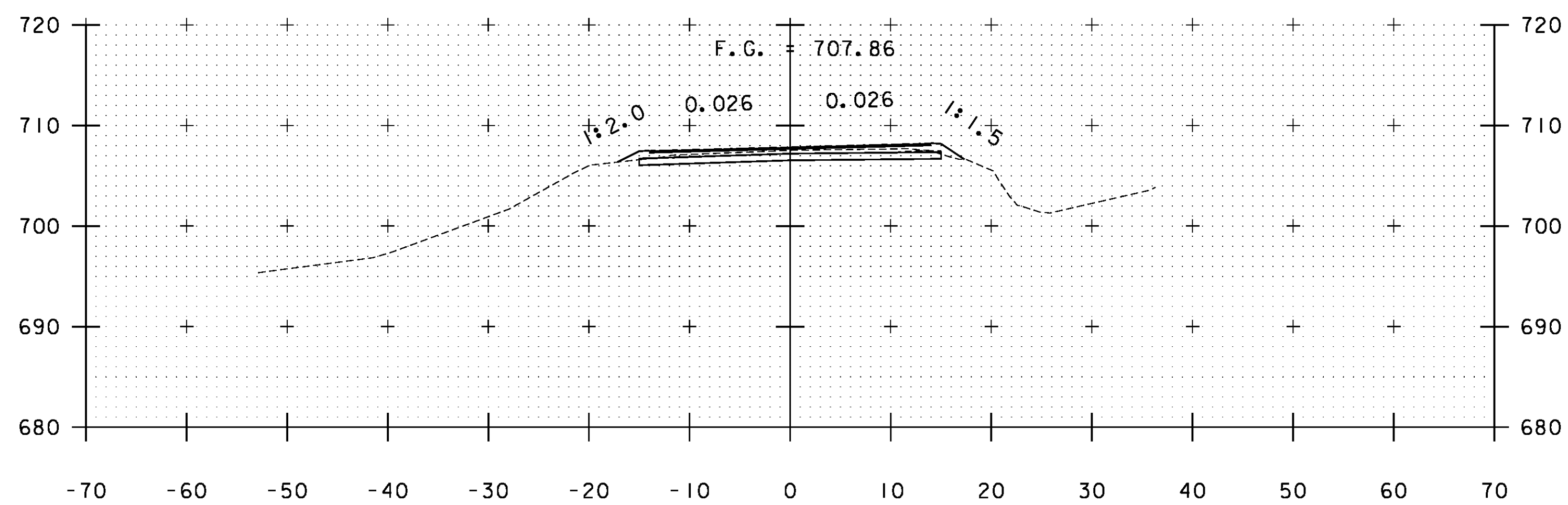
B 112+00



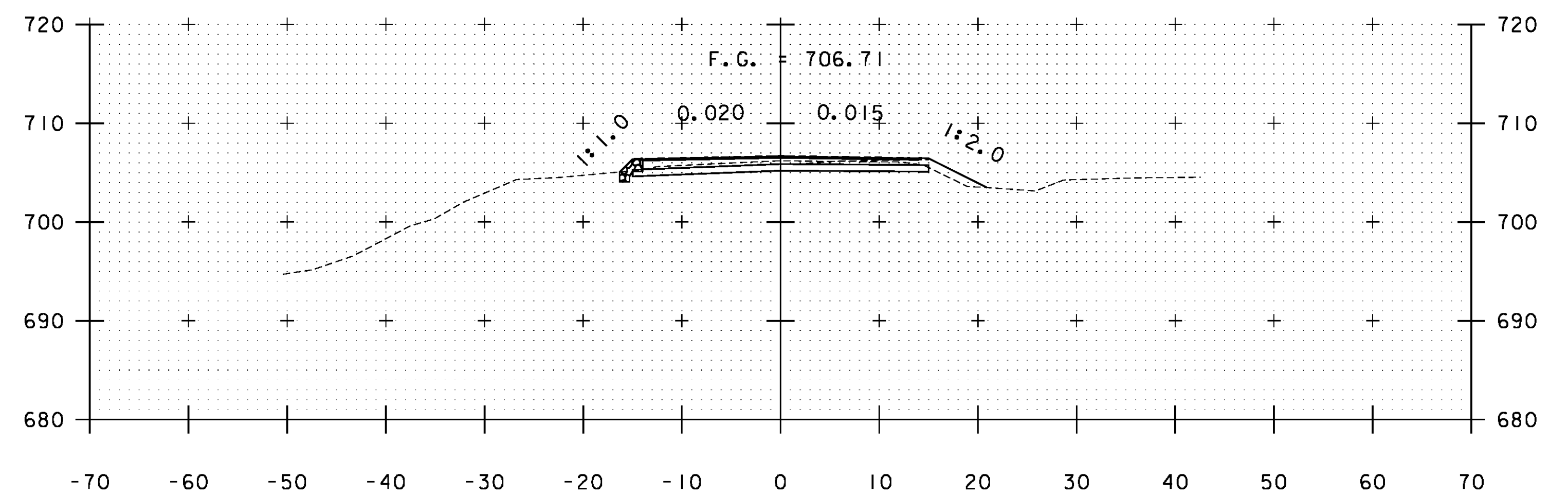
B 110+17



B 111+50



B 110+00



B 111+00

STA. B 110+00 TO STA. B 112+00

PROJECT NAME: WARDBORO-JAMAICA	
PROJECT NUMBER: ER STP 013-1(17)	
FILE NAME: xs.dgn	PLOT DATE: 2/26/2014
PROJECT LEADER: K. UPMAL	DRAWN BY: B. KIPP
DESIGNED BY: B. KIPP	CHECKED BY: HSD
CROSS SECTIONS	SHEET 369 OF 444