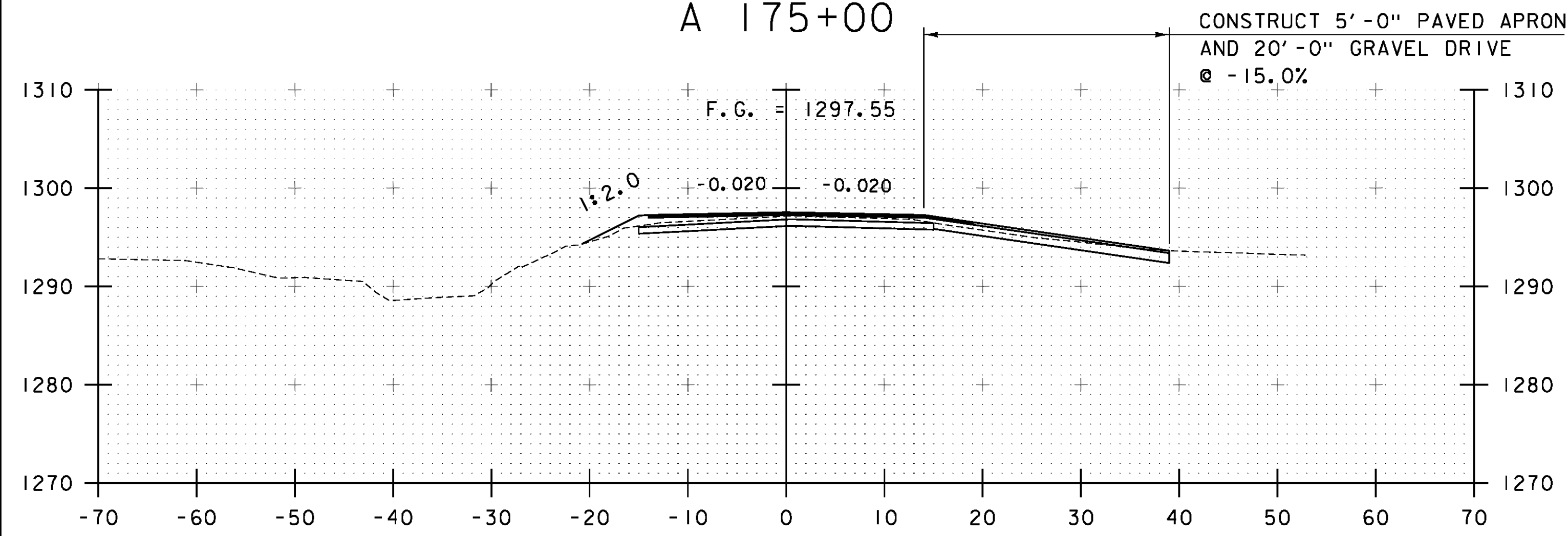
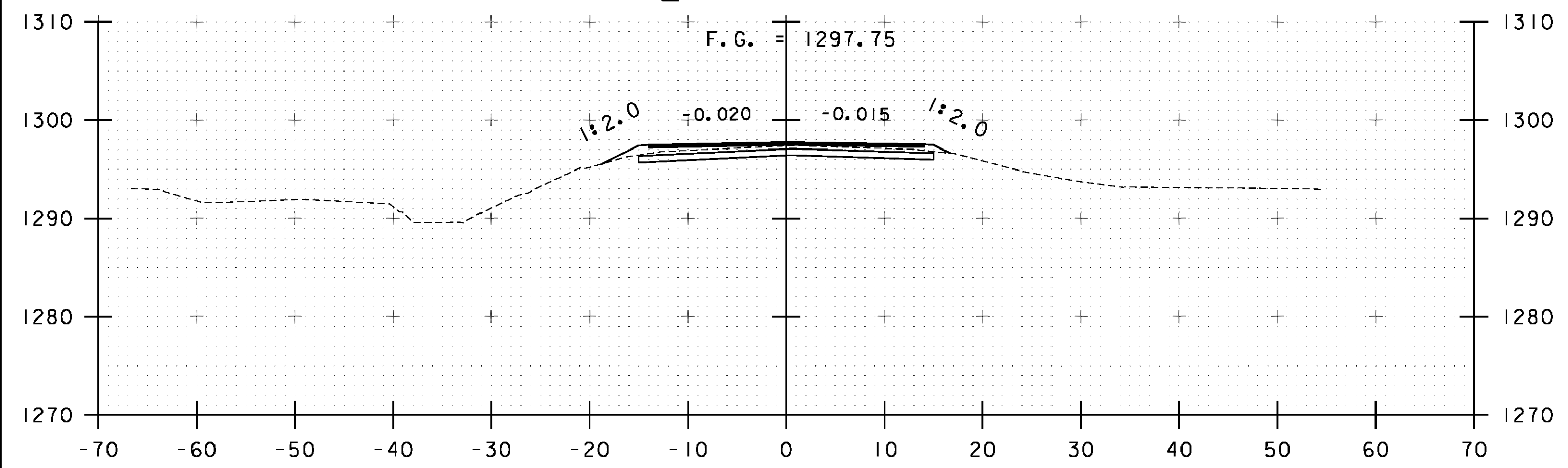


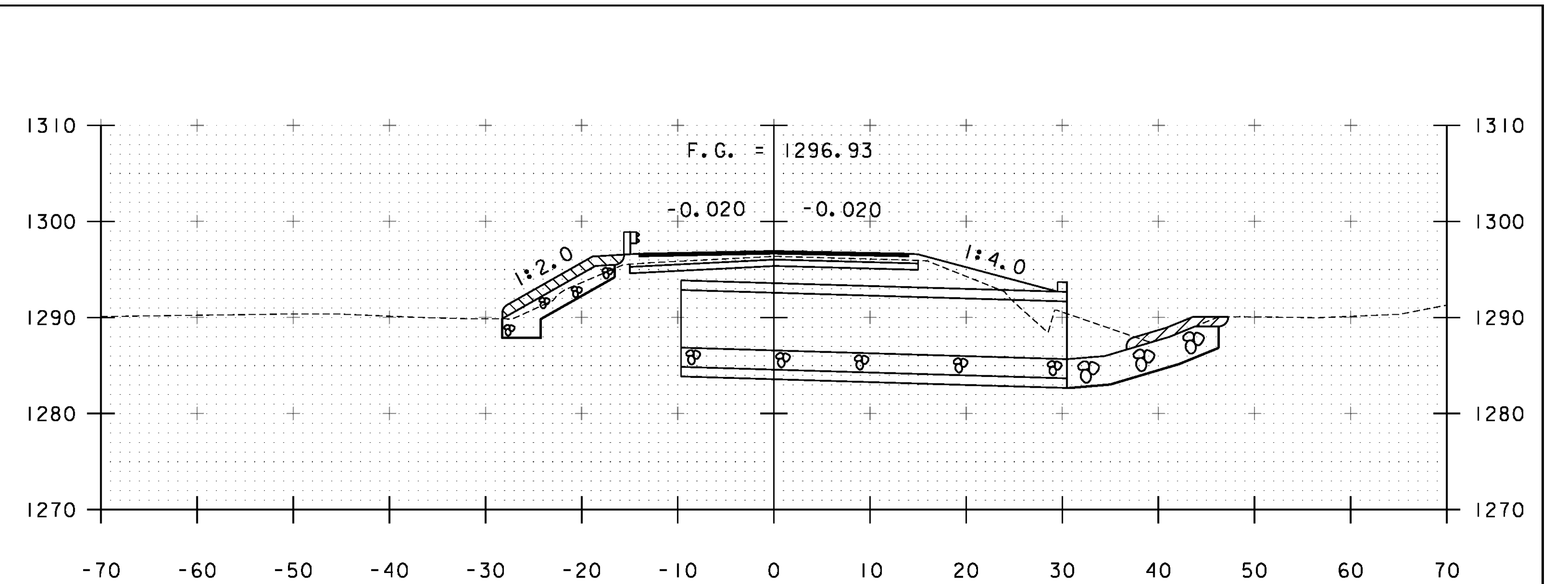
A 175+00



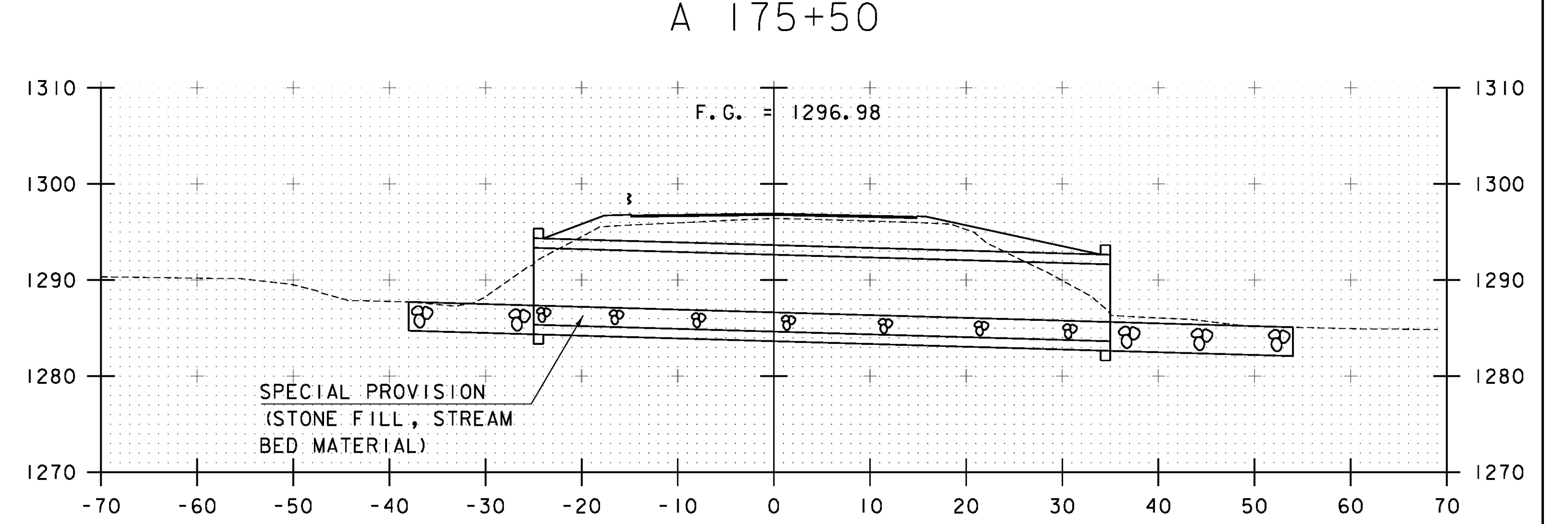
A 174+92  
CL DRIVEWAY



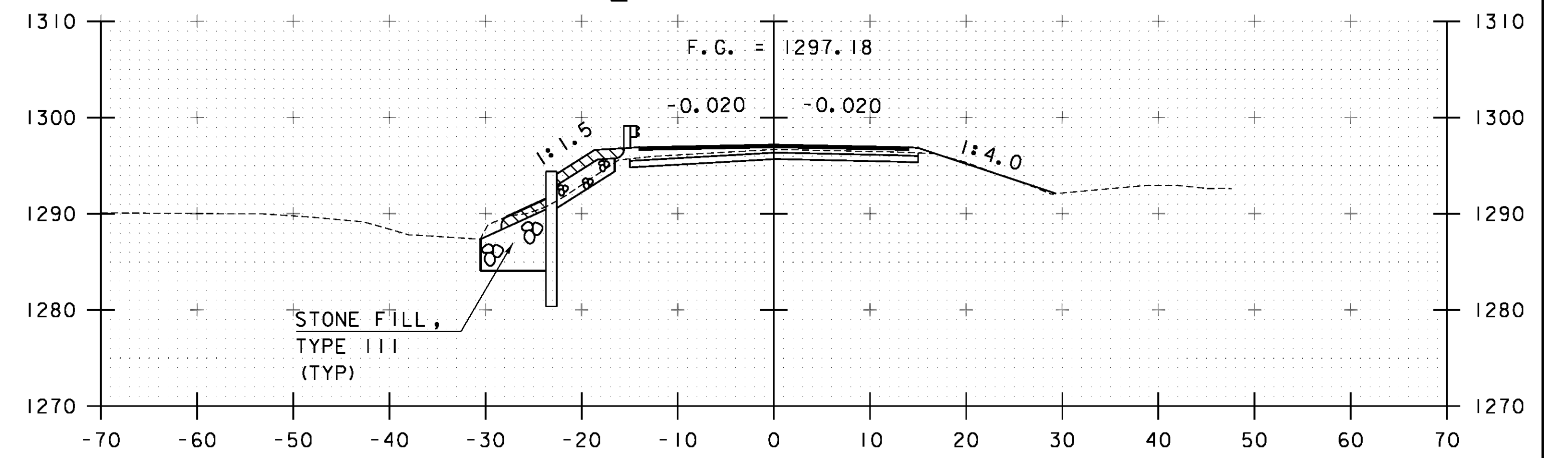
A 174+75



A 175+50



A 175+45 SKEWED @ 30°  
CL BRIDGE #70



A 175+25

STA. A 174+75 TO STA. A 175+50

PROJECT NAME: WARDBORO-JAMAICA	PLOT DATE: 2/26/2014
PROJECT NUMBER: ER STP 013-1(17)	DRAWN BY: B. KIPP
FILE NAME: xs_C70.dgn	CHECKED BY: HSD
PROJECT LEADER: K. UPMAL	SHEET 241 OF 444
DESIGNED BY: B. KIPP	
CROSS SECTIONS	