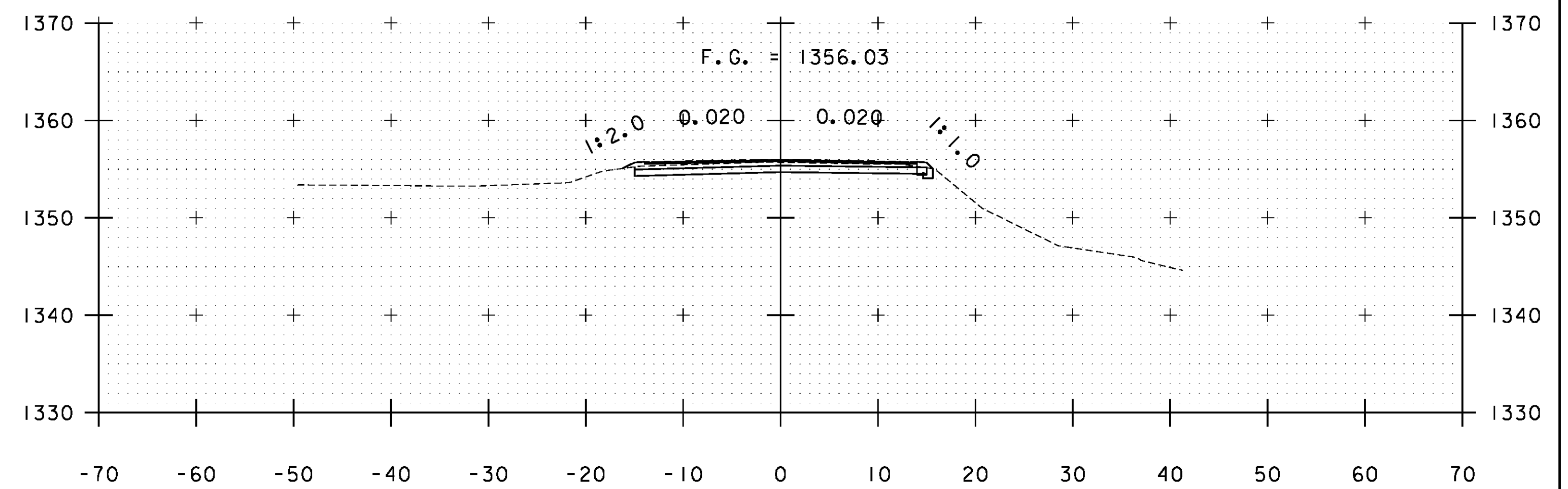
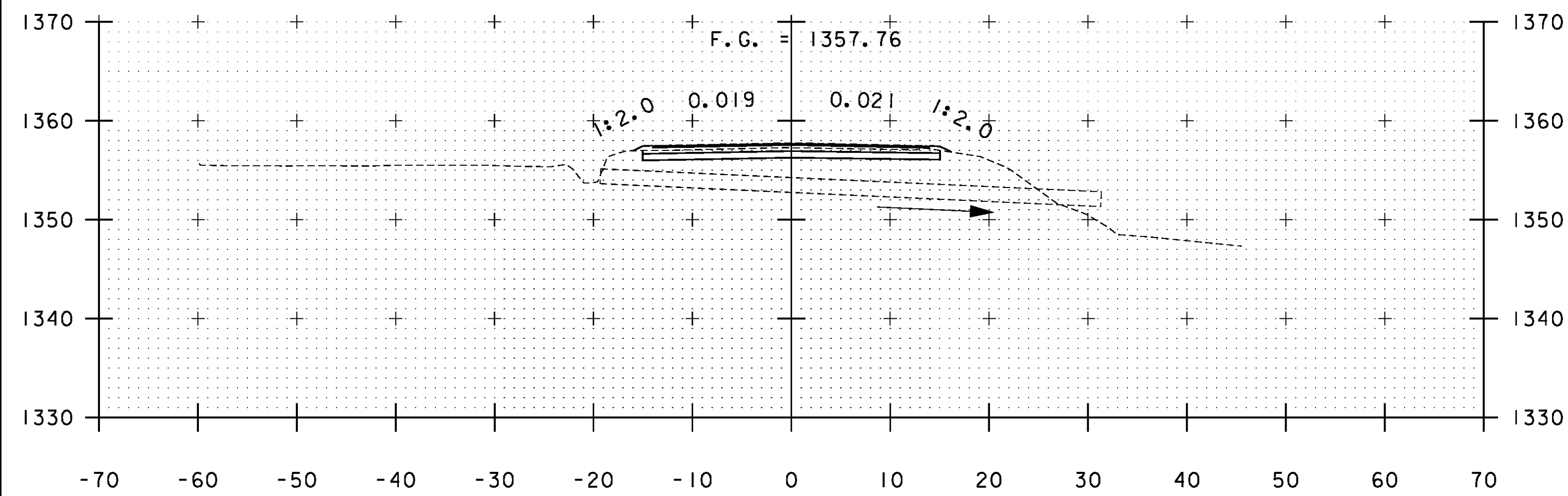


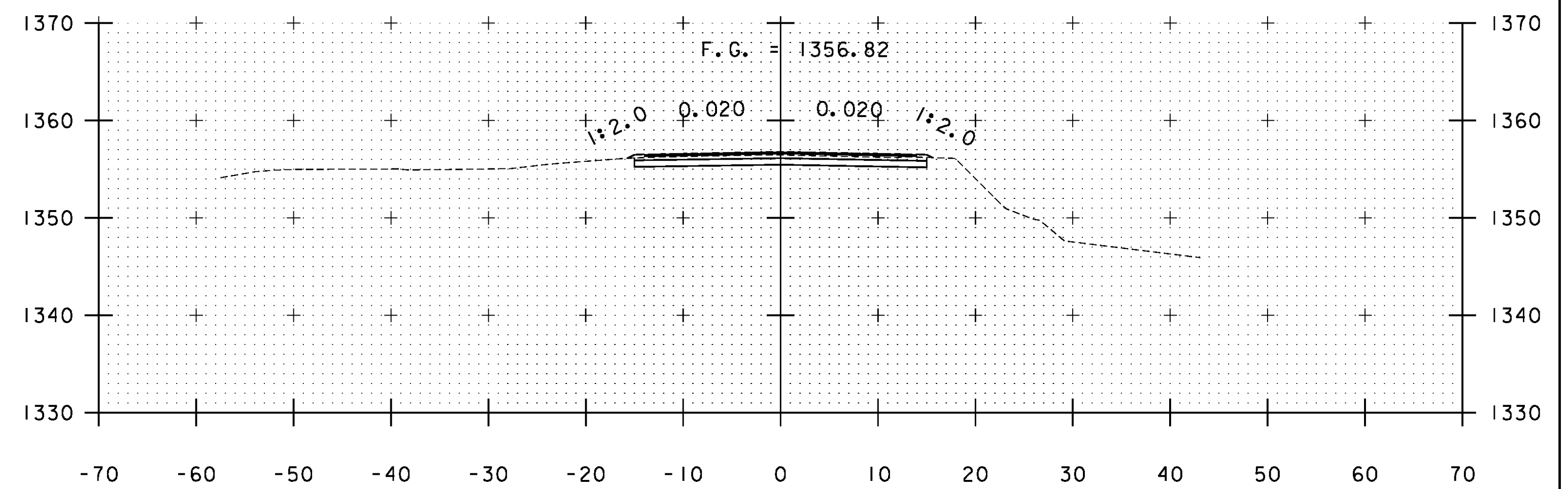
A 145+00



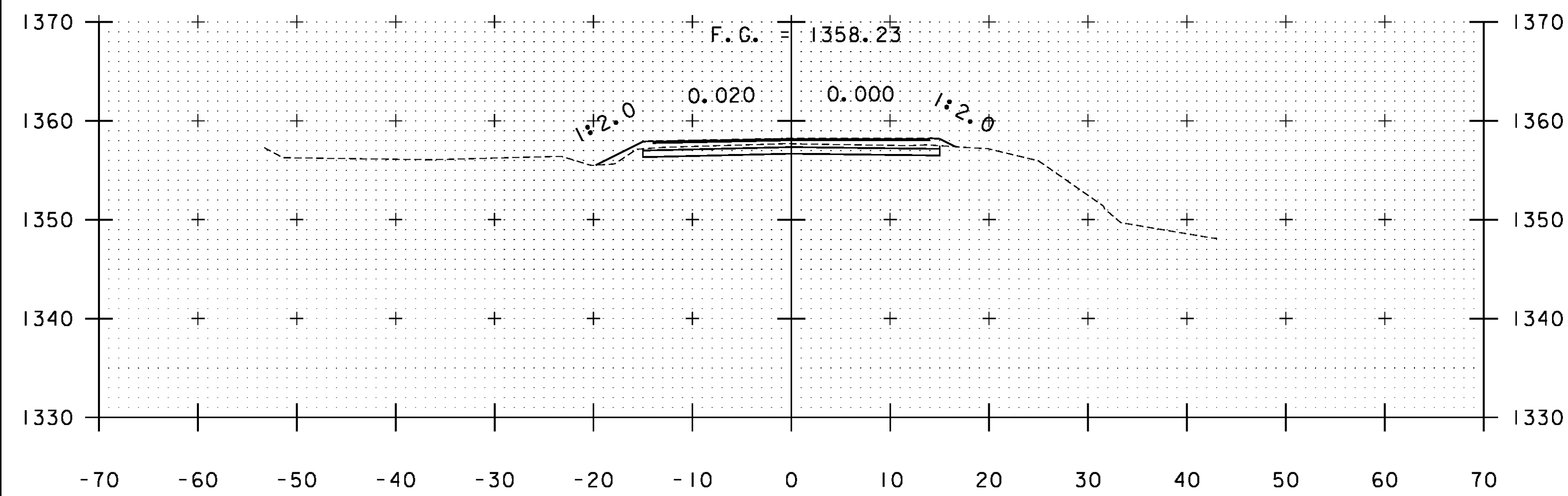
A 146+00



A 144+84



A 145+50



A 144+50

STA. A 144+50 TO STA. A 146+00

PROJECT NAME: WARDBORO-JAMAICA	PLOT DATE: 2/26/2014
PROJECT NUMBER: ER STP 013-1(17)	DRAWN BY: B. KIPP
FILE NAME: xs.dgn	CHECKED BY: HSD
PROJECT LEADER: K. UPMAL	SHEET 230 OF 444
DESIGNED BY: B. KIPP	
CROSS SECTIONS	