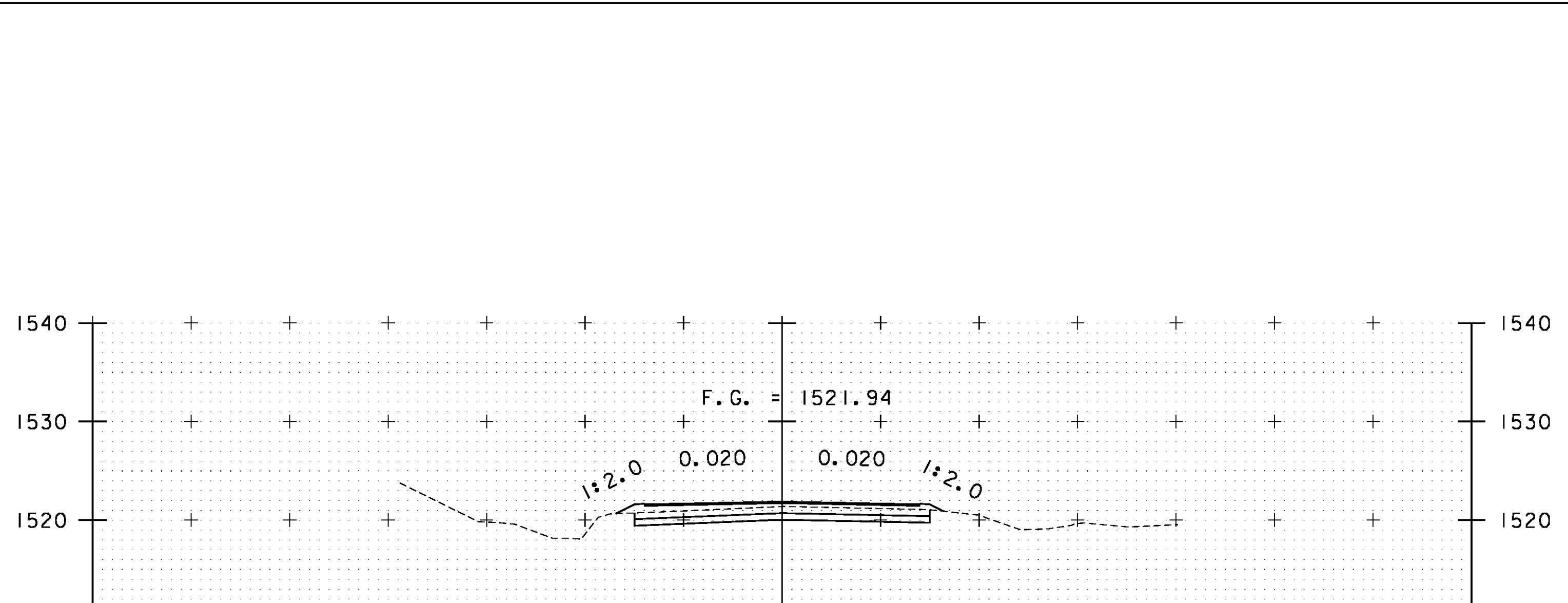
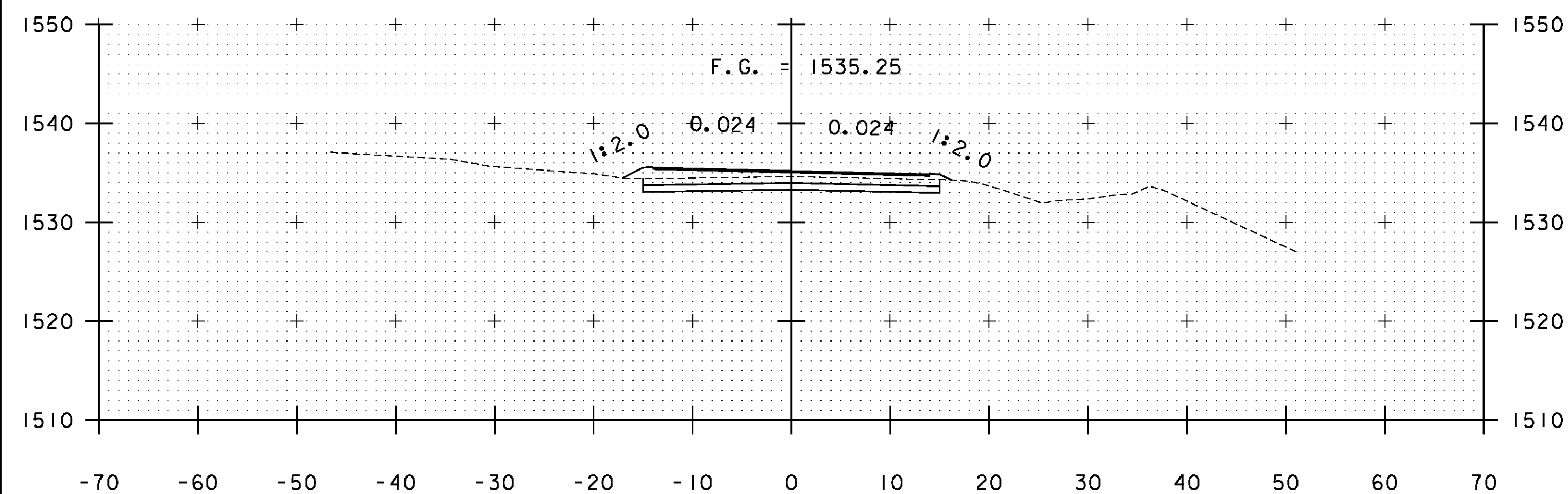


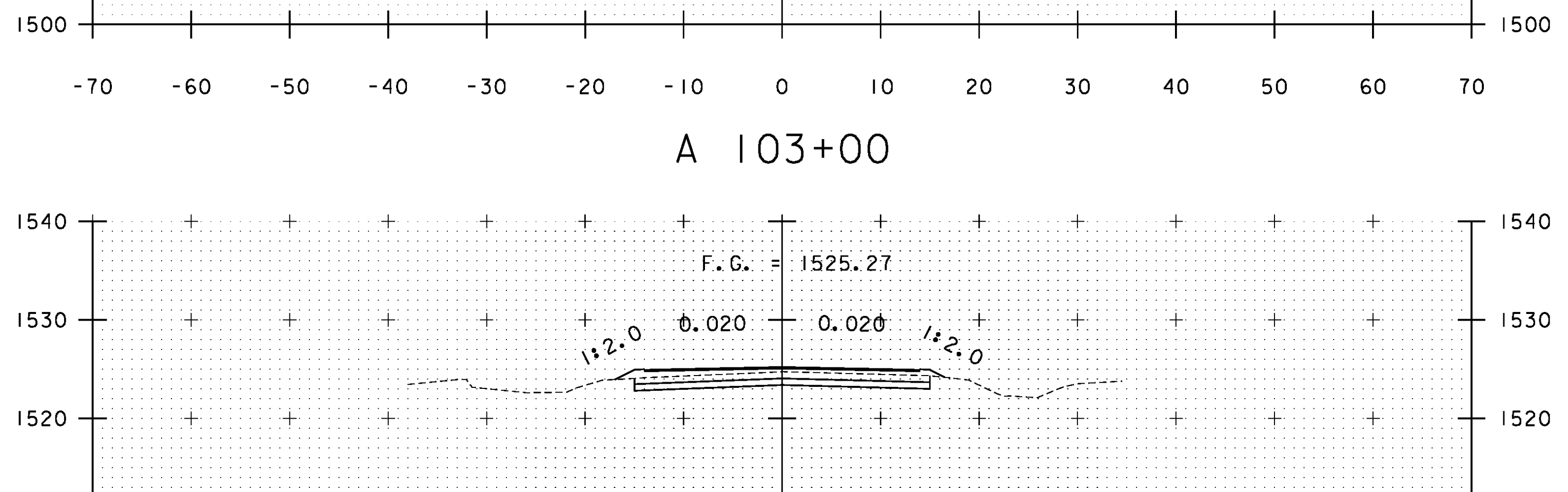
A 101+50



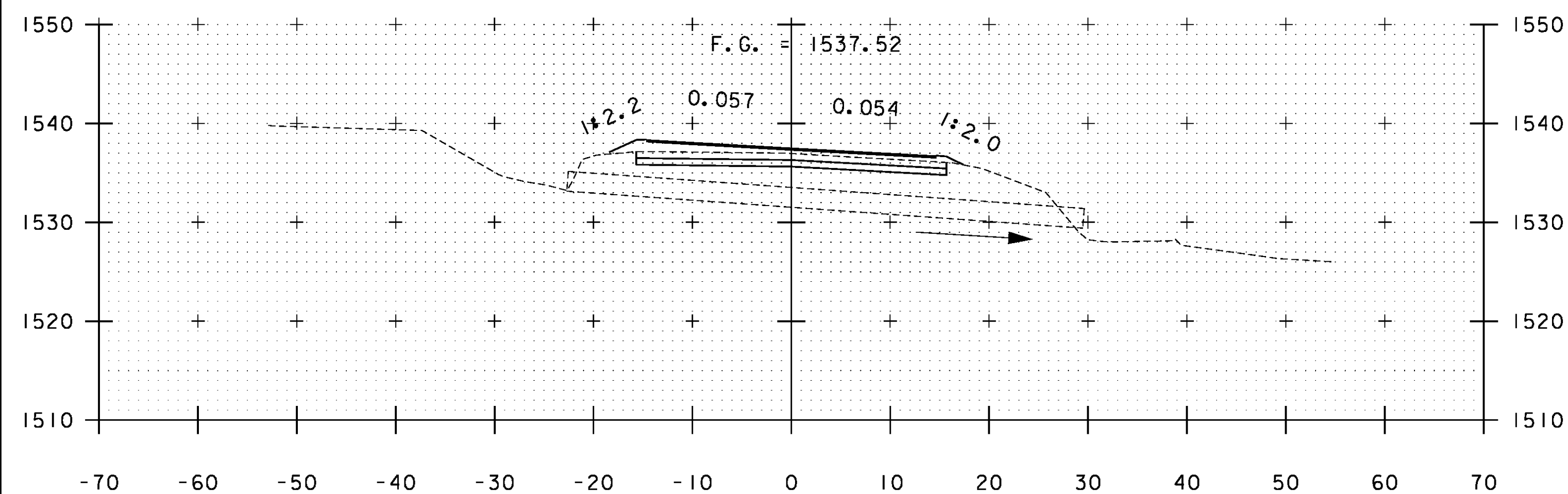
A 103+00



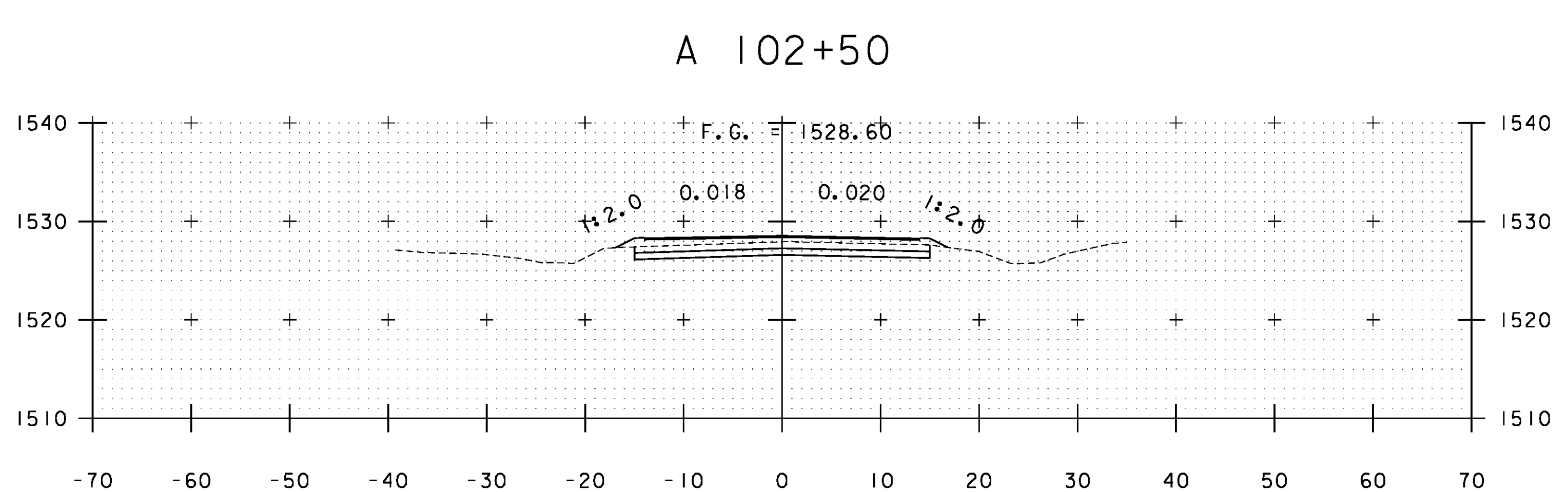
A 101+00



A 102+50



A 100+66



A 102+00

STA. A 100+66 TO STA. A 103+00

PROJECT NAME: WARDBORO-JAMAICA	
PROJECT NUMBER: ER STP 013-1(17)	
FILE NAME: xs.dgn	PLOT DATE: 2/26/2014
PROJECT LEADER: K. UPMAL	DRAWN BY: B. KIPP
DESIGNED BY: B. KIPP	CHECKED BY: HSD
CROSS SECTIONS	SHEET 220 OF 444