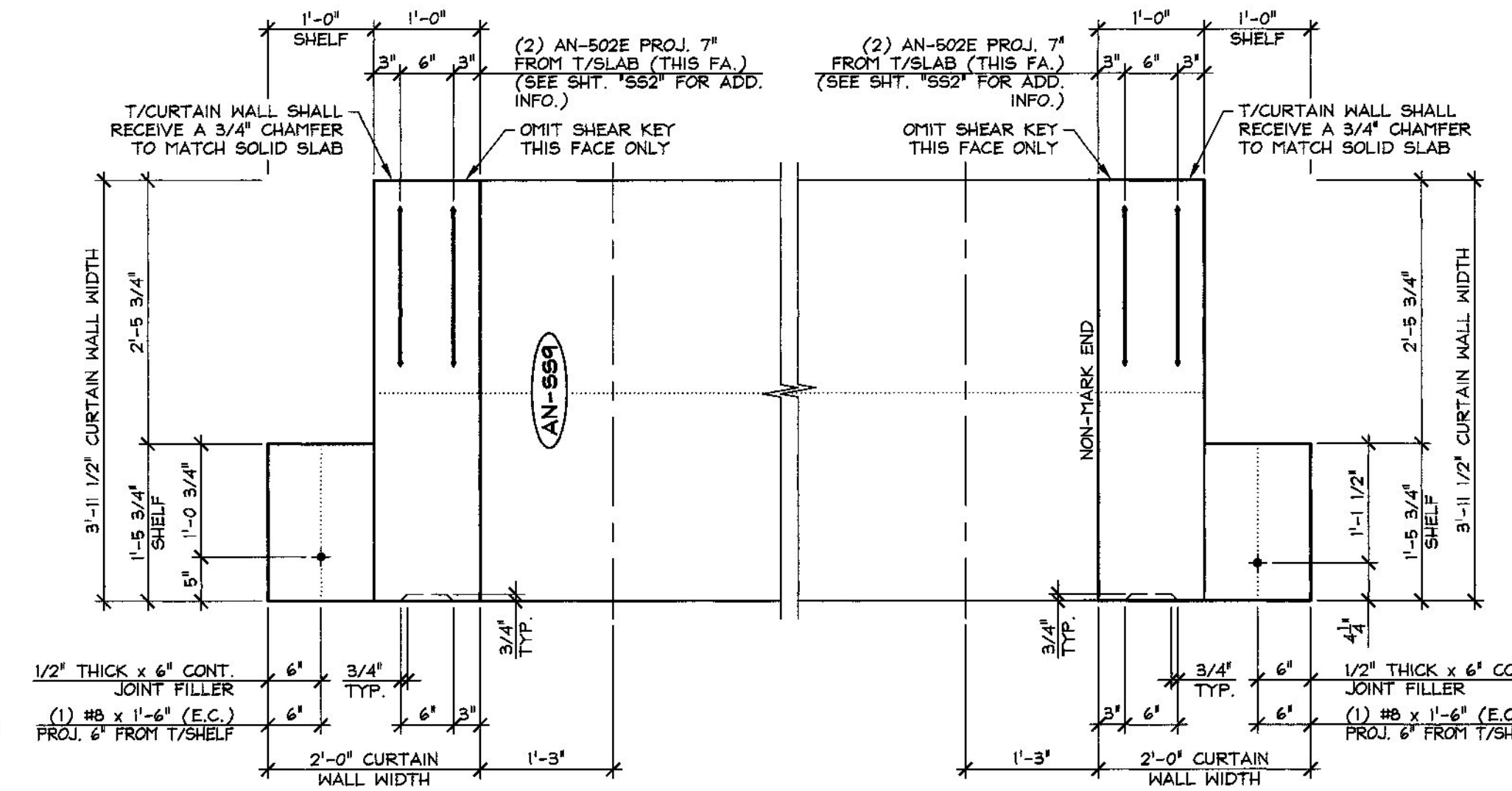
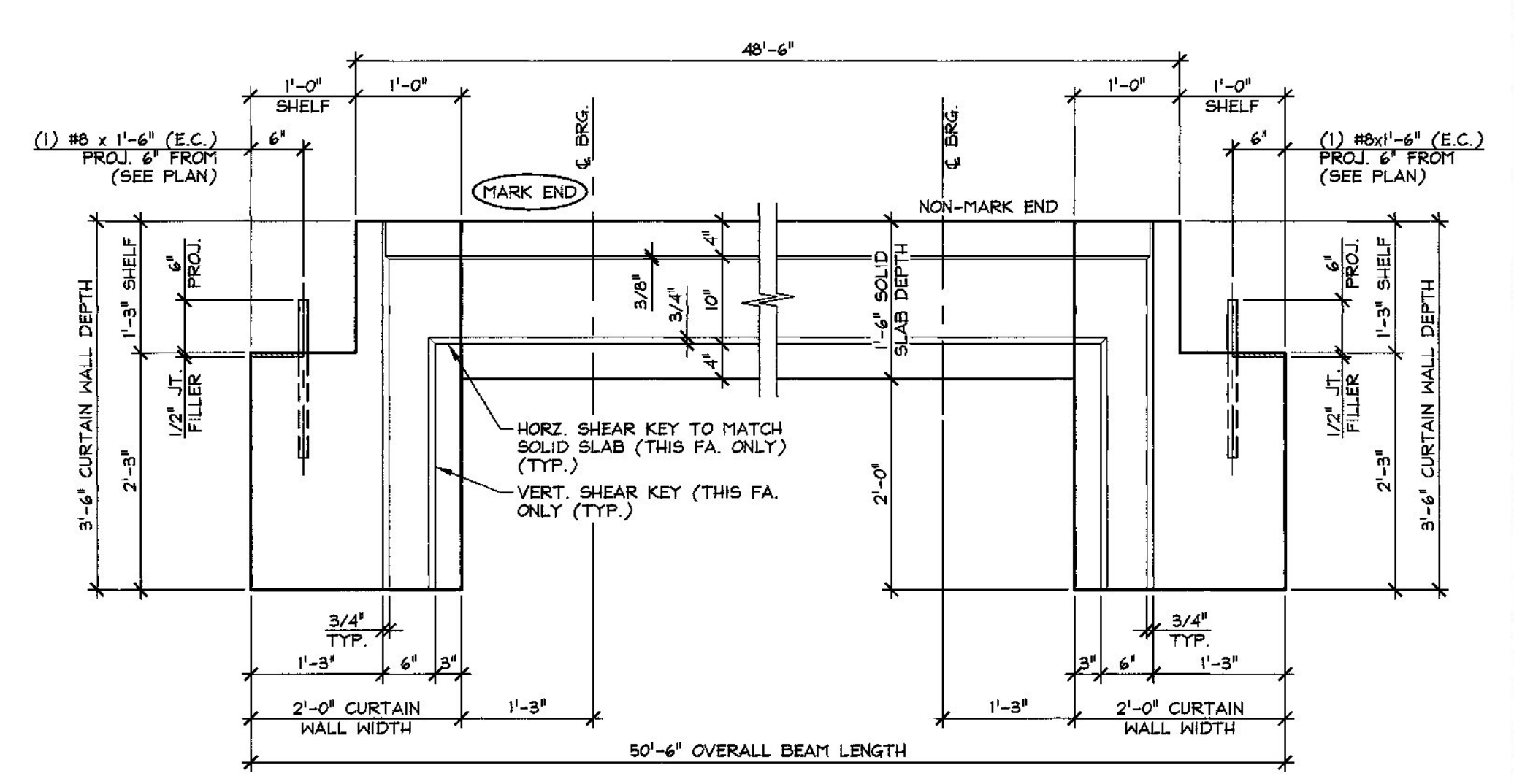


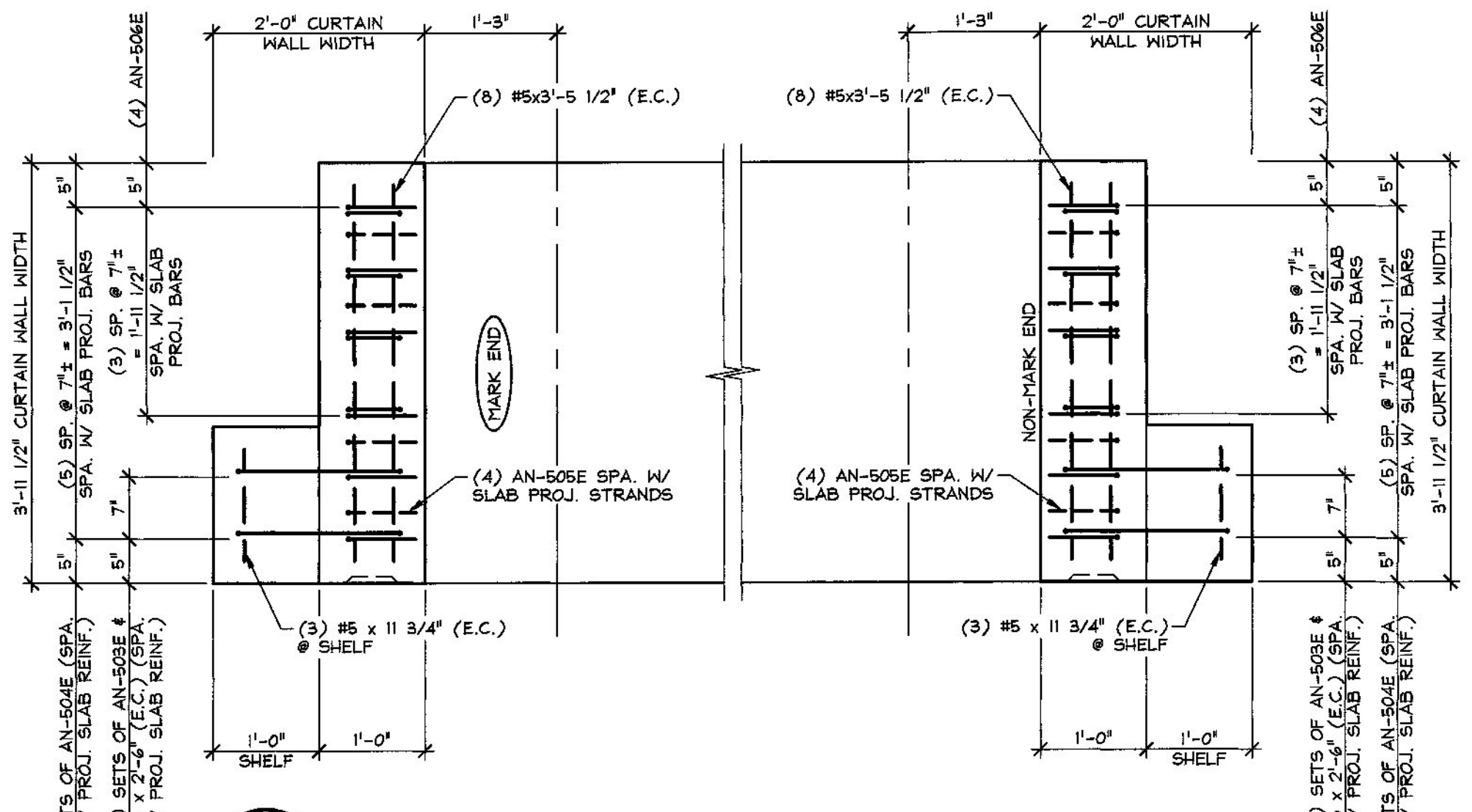
1 DIMENSIONAL PLAN VIEW IN FORM  
CW4 3/4" = 1'-0"



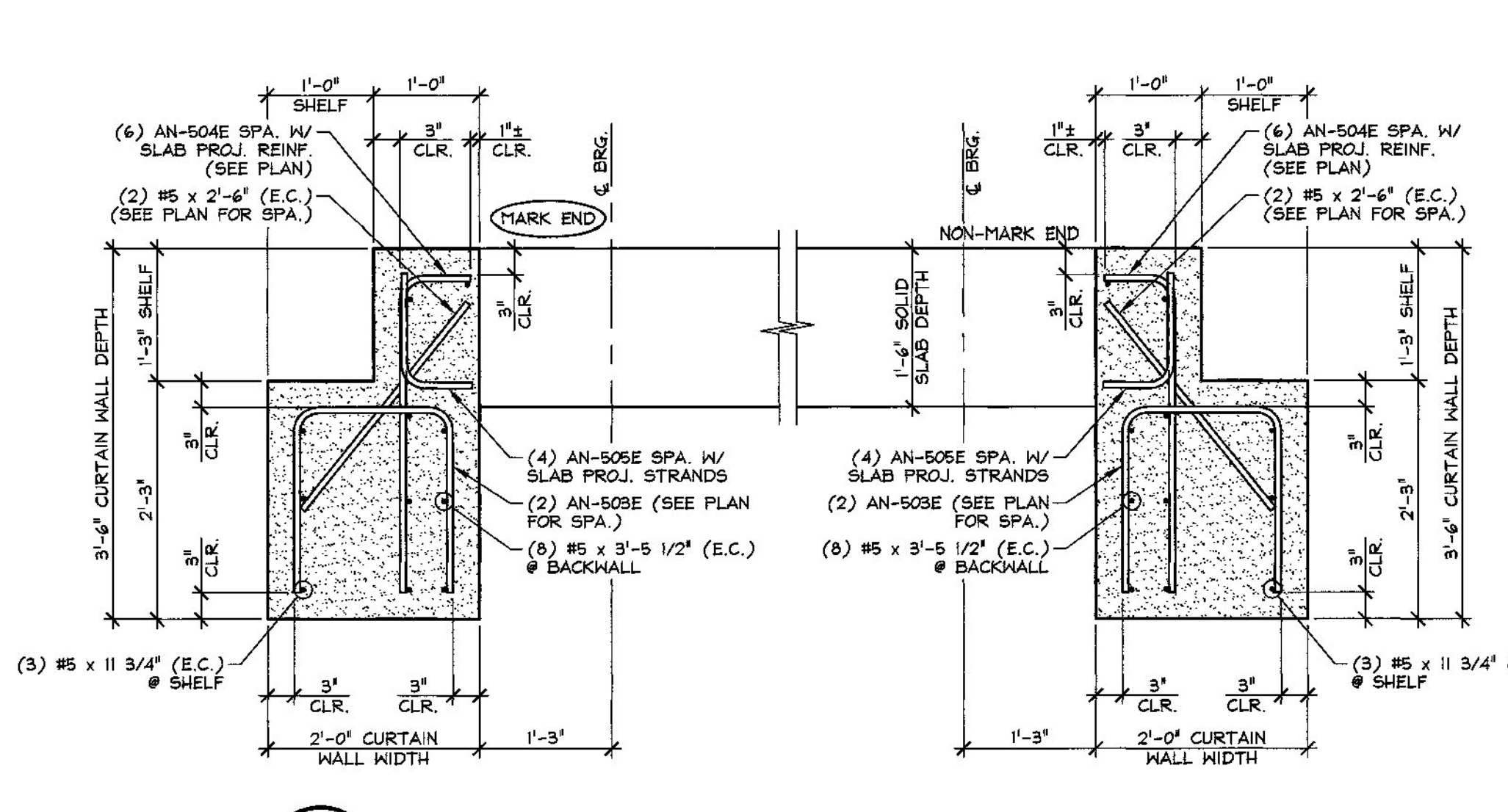
2 DIMENSIONAL PLAN VIEW IN FORM  
CW4 3/4" = 1'-0"



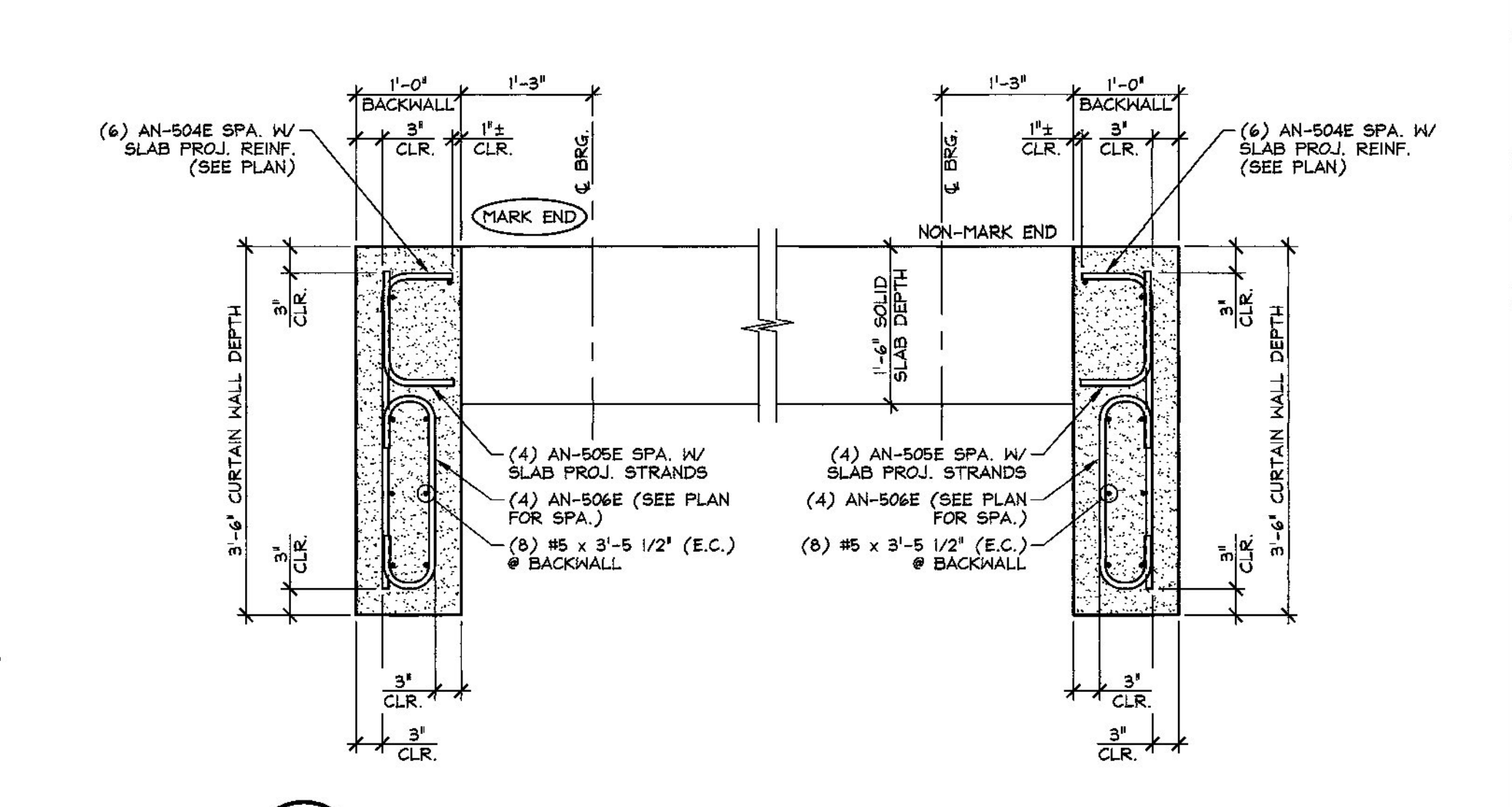
3 DIMENSIONAL ELEVATION  
CW4 3/4" = 1'-0"



4 REINFORCING PLAN VIEW IN FORM  
CW4 3/4" = 1'-0"



5 REINFORCING SECTION  
CW4 3/4" = 1'-0"



6 REINFORCING SECTION  
CW4 3/4" = 1'-0"

MARK: AN-SS8	QTY.: 1
MARK: AN-SS9	QTY.: 1

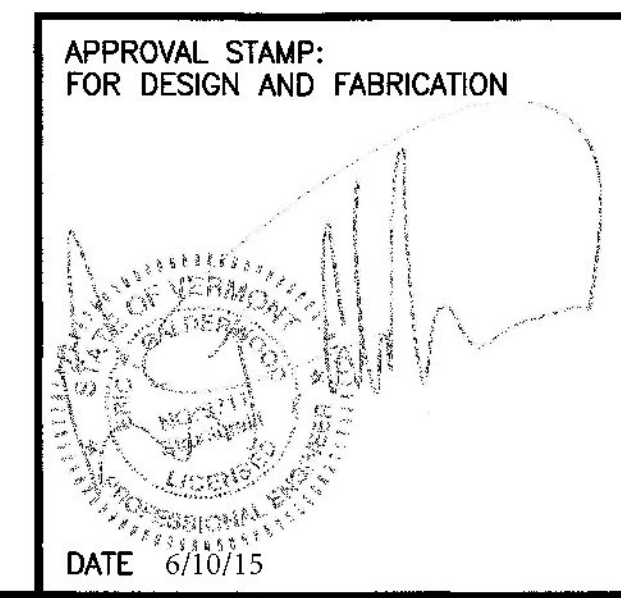
SHOP NOTE:  
TOP OF CURTAIN WALL SHALL RECEIVE A FINISH MATCHING SOLID SLAB.

10.11 cy = SOLID SLAB  
0.64 cy = CURTAIN WALL (MARK END)  
0.64 cy = CURTAIN WALL (NON-MARK END)  
11.39 cy = TOTAL SLAB VOL.

20.46 T = SOLID SLAB  
1.29 T = CURTAIN WALL (MARK END)  
1.29 T = CURTAIN WALL (NON-MARK END)  
23.06 T = TOTAL SLAB WT.

MATERIAL LIST / CURTAIN WALL				
ITEM	MARK	DESCRIPTION	QTY./CURTAIN WALL	
			MARK END	NON-MARK END
1	AN-502E	#5 BENT BAR (LEVEL 1, EPOXY COATED)	2	2
2	AN-503E	#5 BENT BAR (LEVEL 1, EPOXY COATED)	2	2
3	AN-504E	#5 BENT BAR (LEVEL 1, EPOXY COATED)	6	6
4	AN-505E	#5 BENT BAR (LEVEL 1, EPOXY COATED)	4	4
5	AN-506E	#5 BENT BAR (LEVEL 1, EPOXY COATED)	6	6
6		#5 x 2'-6" (LEVEL 1, EPOXY COATED)	2	2
7		#5 x 3'-5 1/2" (LEVEL 1, EPOXY COATED)	8	8
8		#5 x 11 3/4" (LEVEL 1, EPOXY COATED)	3	3
9				
10		#8 x 1'-6" (LEVEL 1, EPOXY COATED)	1	1

Vermont Agency of Transportation  
**RECEIVED**  
ON: June 10, 2015  
and Checked for  
**CONFORMANCE**  
BY: D. PETERSON DATE: 06/11/2015



APPROVAL STAMP: FOR DESIGN AND FABRICATION	J.P. CARRARA & SONS INC. Precast & Prestress Manufacturer 284 GEE ST., MIDDLEBURY, VERMONT 05753 Phone: (802)388-6361 Fax: (802)388-9010	RENAUD BROS. INC. CONTRACTOR VERNON, VERMONT
STATE OF VERMONT AGENCY OF TRANSPORTATION COUNTY OF WINDSOR	DATE: MAY 6, 2015 SCALE: NOTED	DATE: MAY 6, 2015 SCALE: NOTED
TOWN OF ANDOVER VT RTE 11, RURAL MINOR ARTERIAL BRIDGE NO.: 41 PROJECT NO.: BHF 016-1(29)	CHKD: J.C. DFTM: B.L.	CHKD: J.C. DFTM: B.L.
PRECAST CURTAIN WALL DETAILS	JOB NO: 23465-015	JOB NO: 23465-015
	DWG. NO: CW4	DWG. NO: CW4