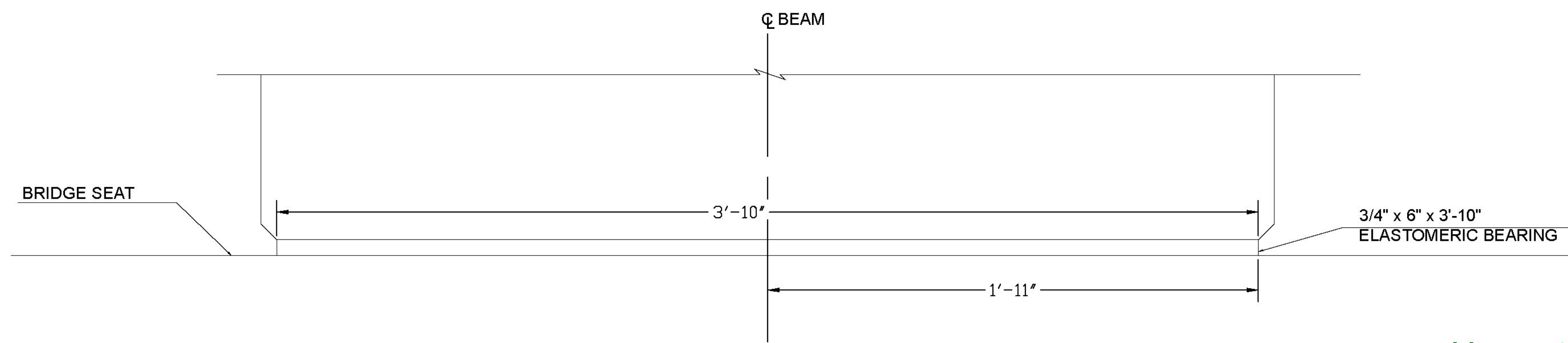
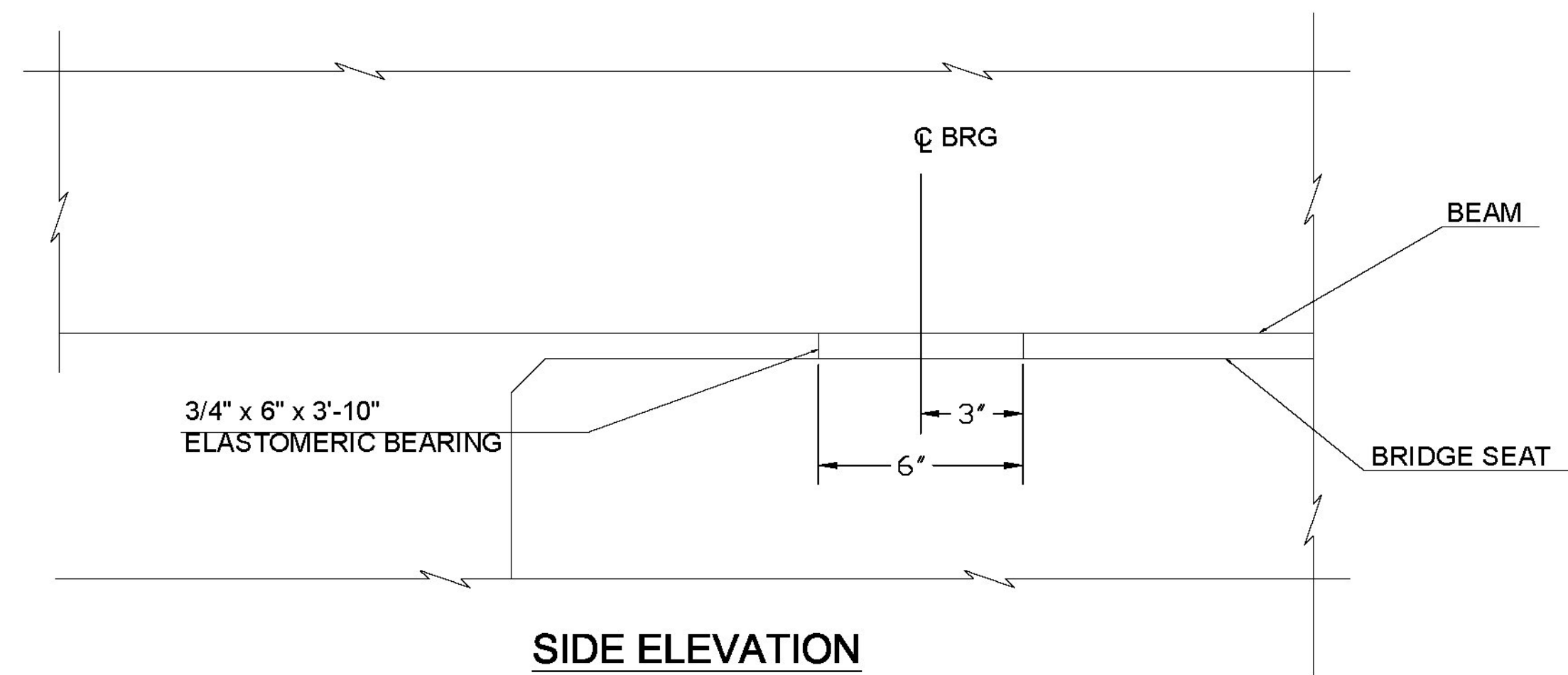


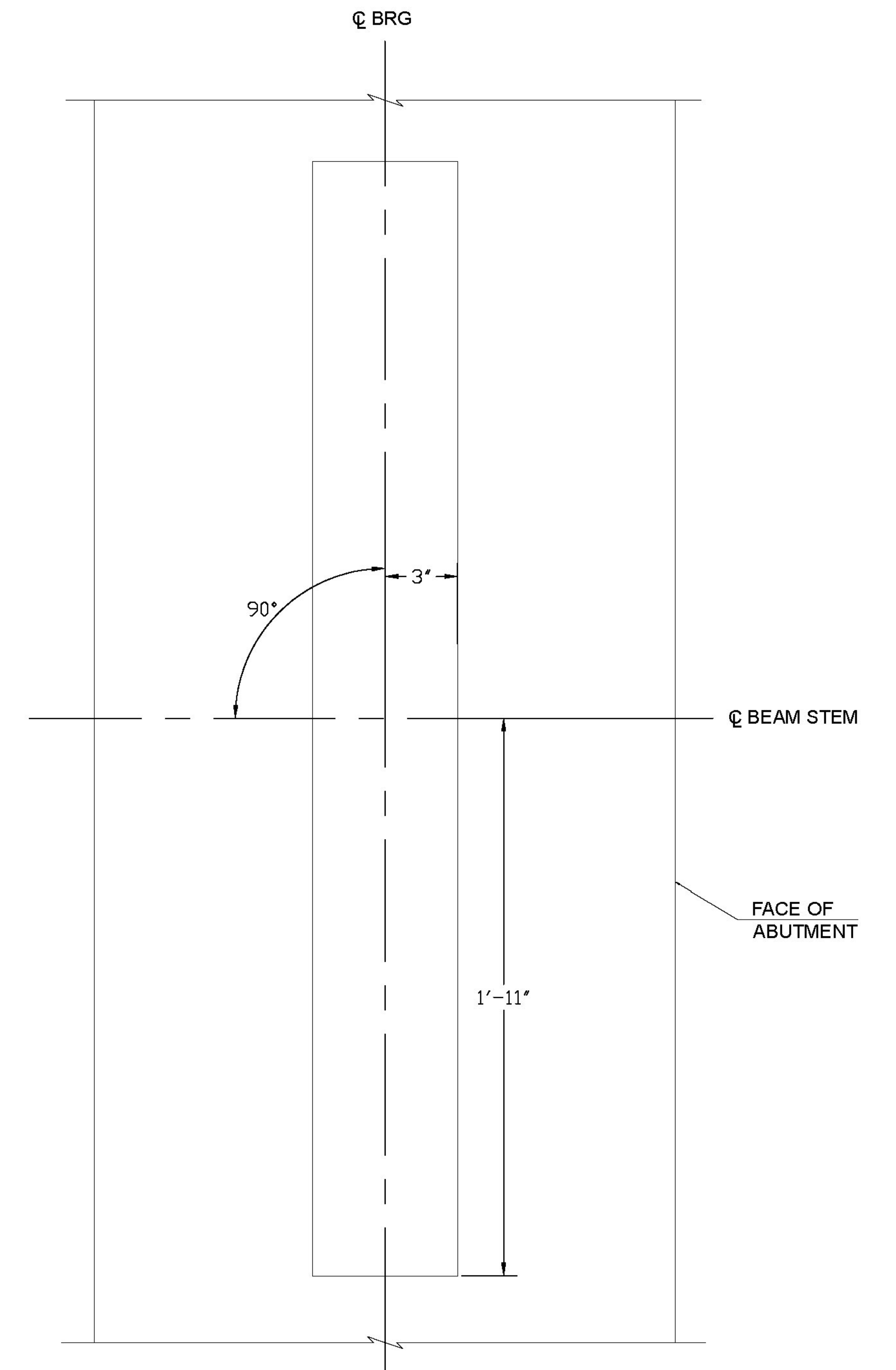
**ELASTOMERIC BEARING DETAIL**  
SCALE 3" = 1'-0"



**FRONT ELEVATION**  
SCALE 3" = 1'-0"



**SIDE ELEVATION**  
SCALE 3" = 1'-0"



**PLAN**  
SCALE 3" = 1'-0"

Vermont Agency of Transportation

**RECEIVED**

ON: June 10, 2015

and Checked for

**CONFORMANCE**

BY: D. PETERSON DATE: 06/12/2015

50

**BEARING NOTES**

1. BEARINGS SHALL CONFORM TO THE APPLICABLE SUBSECTIONS OF SECTIONS 531 AND 731.
2. THE ELASTOMER SHALL BE GRADE 60 SHORE A DUROMETER.
3. THE ELASTOMER SHALL MEET THE REQUIREMENTS OF LOW TEMPERATURE ZONE D, GRADE 4.
4. THE INSTALLER IS ADVISED TO HAVE A MINIMUM OF 18 - 1/4" x 6" x 3'-10" GALVANIZED STEEL SHIMS AVAILABLE FOR USE FOR ELEVATION ADJUSTMENTS UPON THE SETTING OF THE SUPERSTRUCTURE UNITS. THE SHIMS SHALL BE FABRICATED ACCORDING TO SECTION 531 AND SHALL BE INCLUDED UNDER ITEM 531.16, "BEARING DEVICE ASSEMBLY, PLAIN ELASTOMERIC PAD".

SHEET NAME:		<b>BRIDGE BEARINGS</b>	
PROJECT NAME:		<b>ANDOVER</b>	
PROJECT NO:		<b>BHF 016-1 (29)</b>	
DRAWN BY:	CHK'D BY:	DATE:	SHEET NO. <b>4</b> OF <b>4</b>
<b>CE</b>		<b>06/08/2015</b>	

REV. NO.	DATE:

**RENAUD BROS. INC.**  
285 Ft. Bridgeman Rd., Vernon Vt., 05354  
PH: (802) 251-7305 FAX: (802) 251-7308