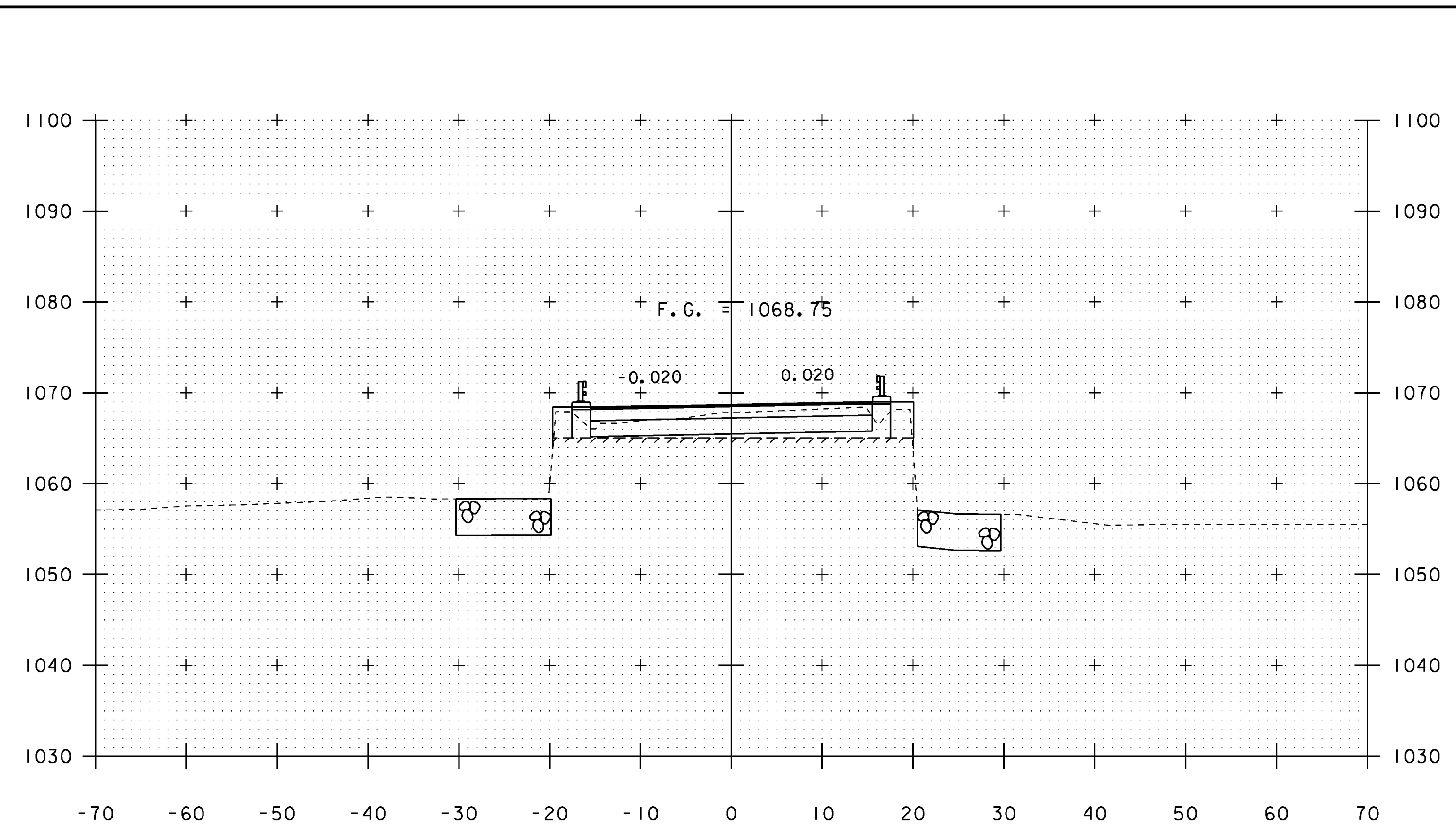
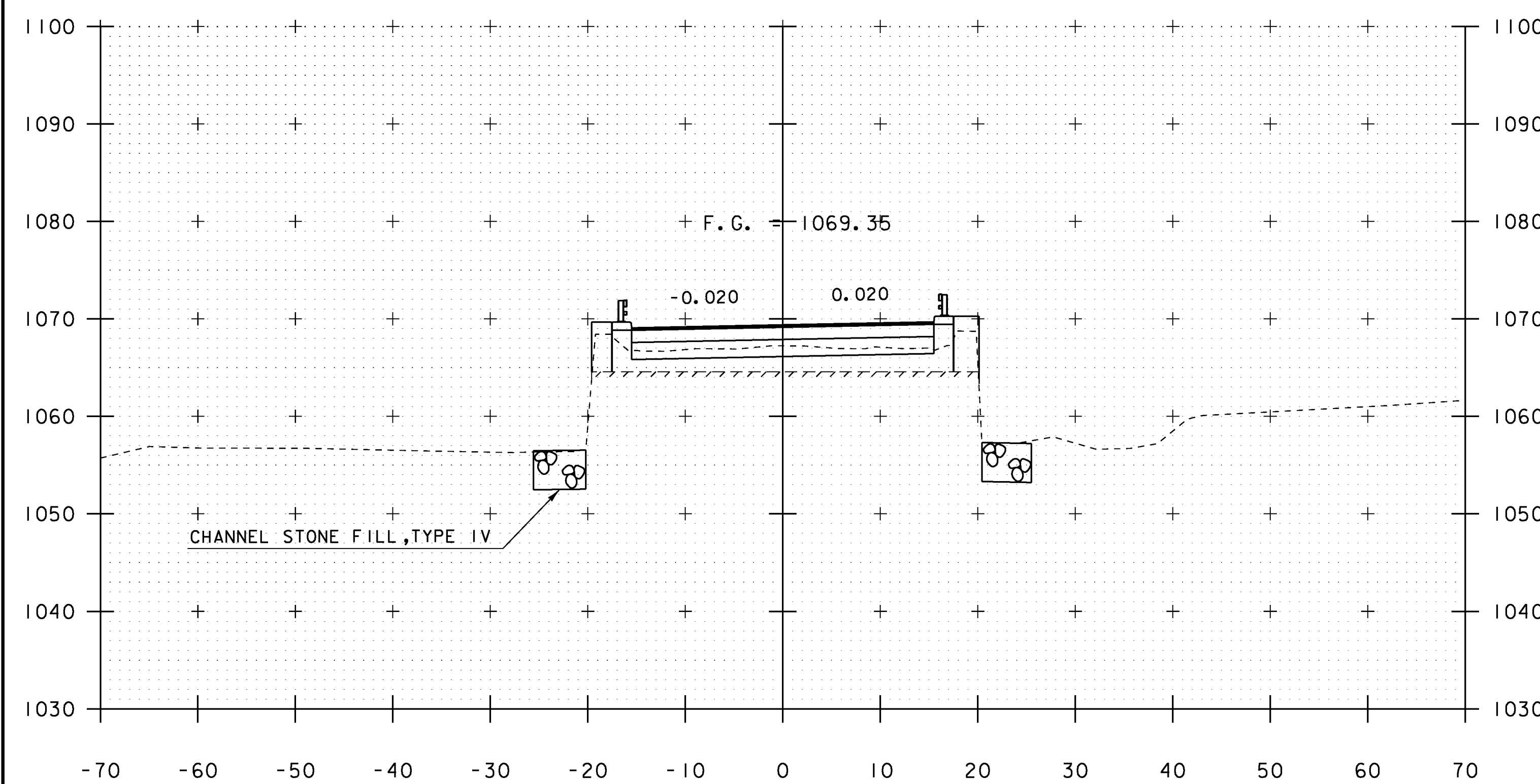


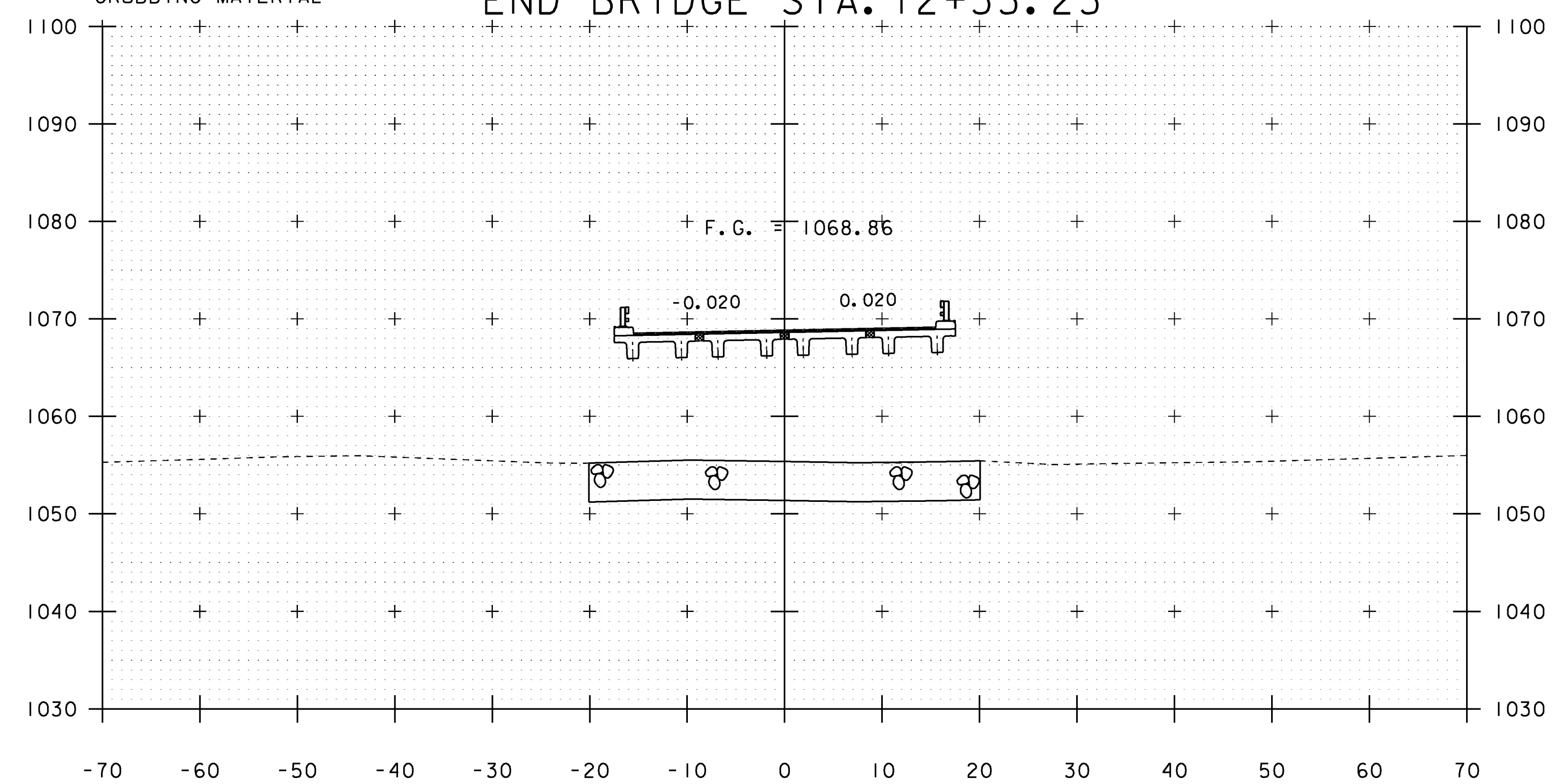
12+00



12+33.00
END BRIDGE STA. 12+35.25



11+89.00
BEGIN BRIDGE STA. 11+86.75



12+25

STA 11+88.00 LT & RT
END STONE FILL, TYPE II
GEOTEXTILE UNDER STONE FILL
GRUBBING MATERIAL

PROJECT NAME: ANDOVER	PLOT DATE: 06-JAN-2015
PROJECT NUMBER: BHF 016-1(29)	DRAWN BY: S. PIRO
FILE NAME: sl2b140xs.dgn	CHECKED BY: D. PETERSON
PROJECT LEADER: C. CARLSON	SHEET 36 OF 48
DESIGNED BY: D. PETERSON	
VT II CROSS SECTIONS 3	

STA. 11+89 TO STA. 12+33