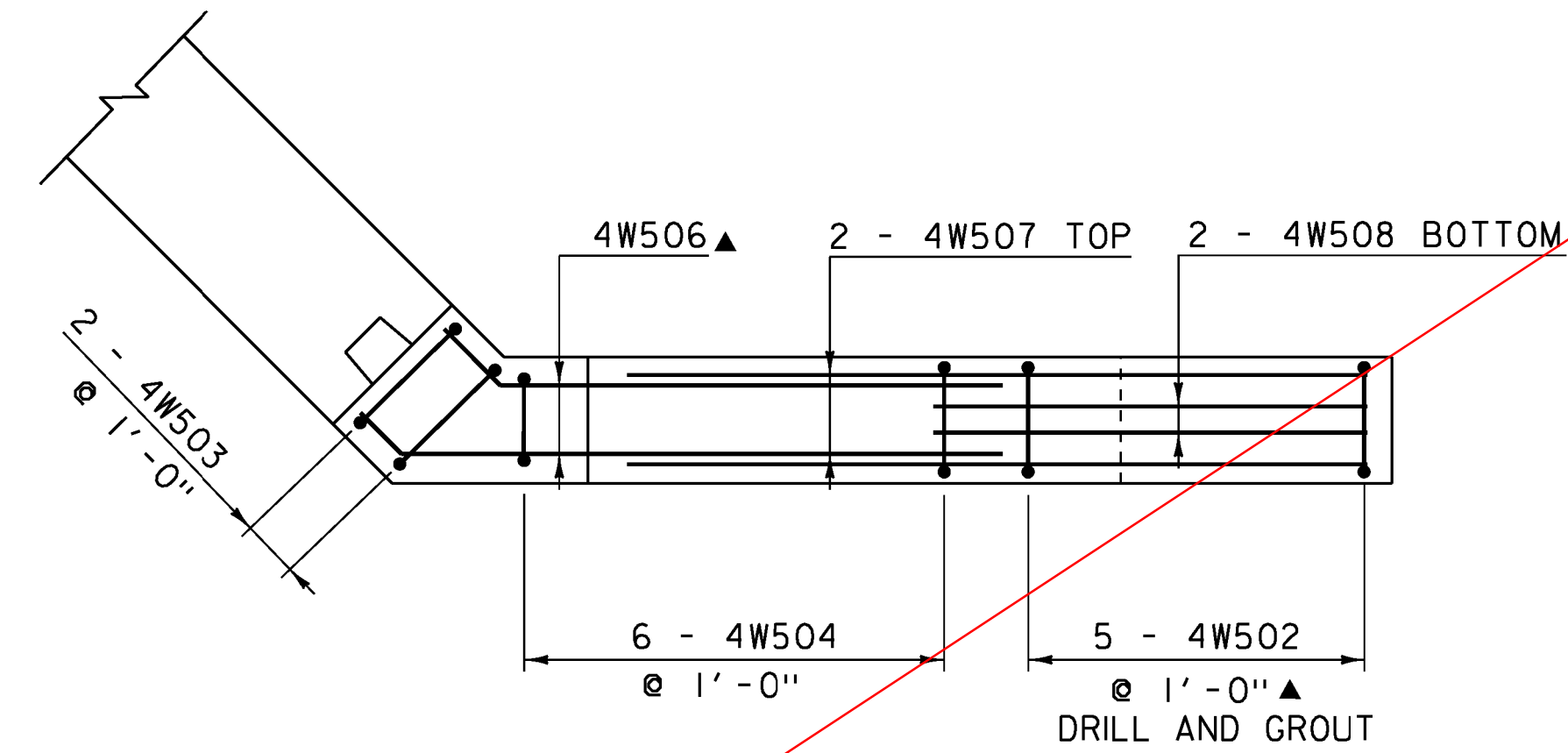


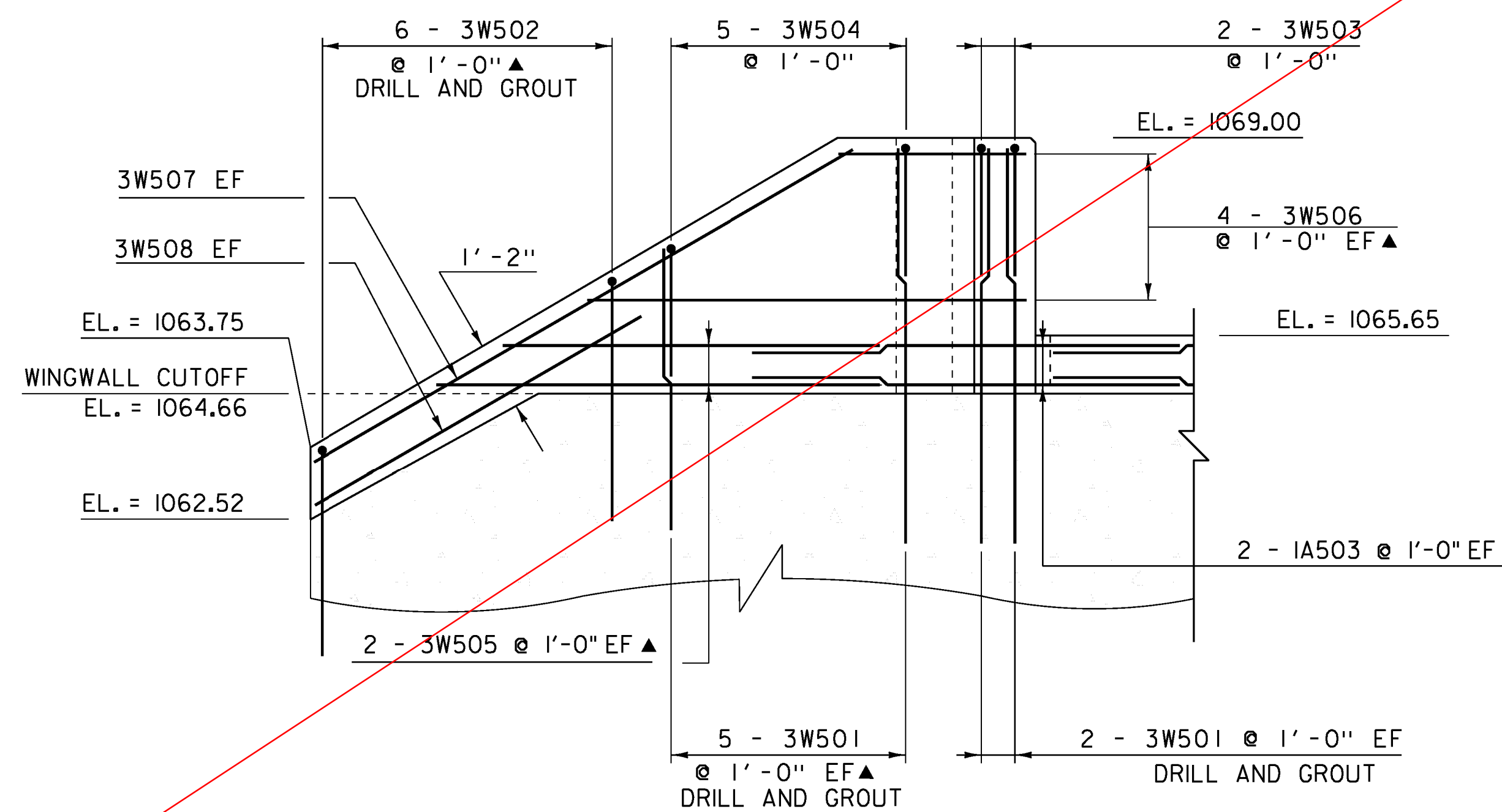
WINGWALL NO. 3 PLAN
SCALE: 1/2" = 1'-0"



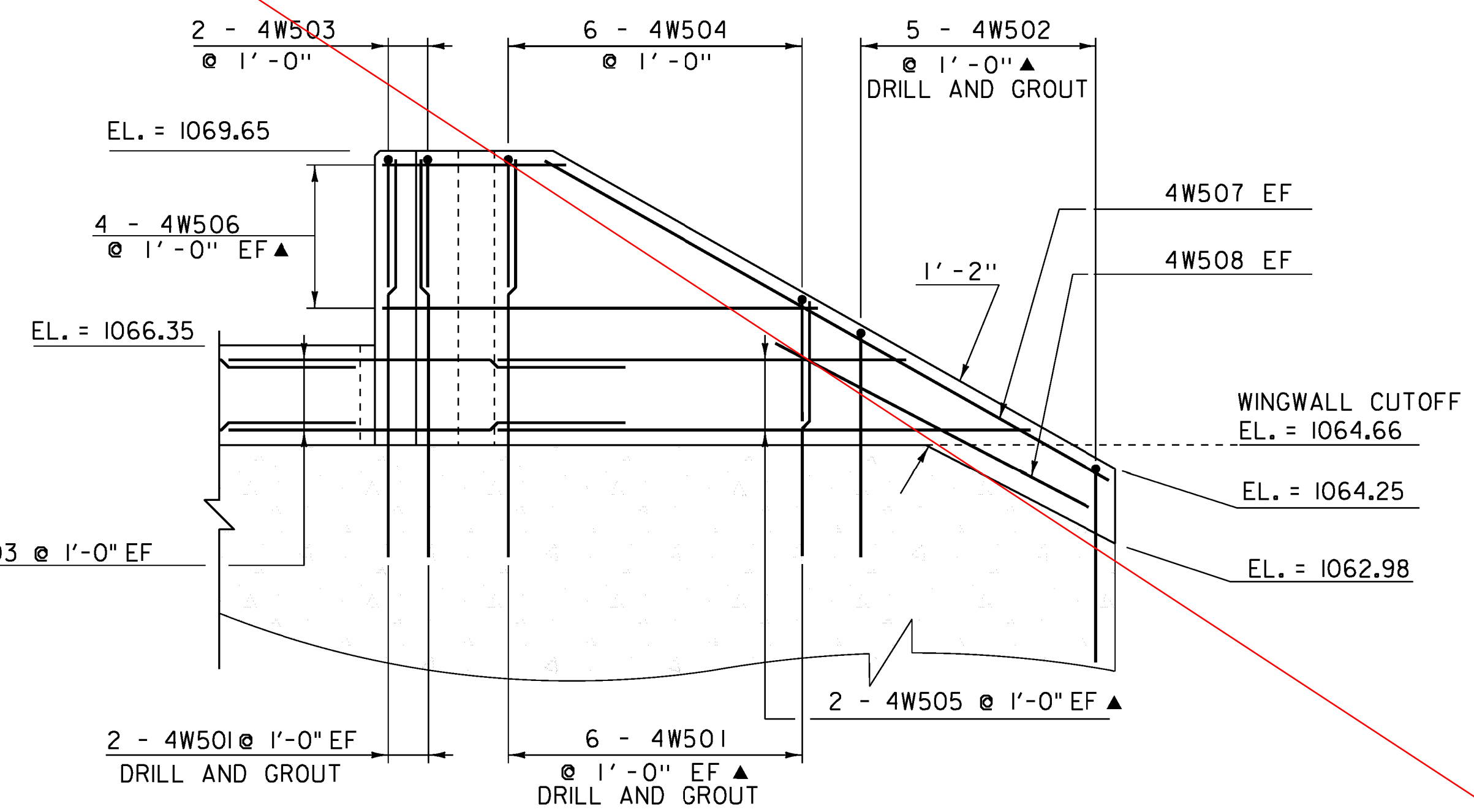
WINGWALL NO. 4 PLAN
SCALE: 1/2" = 1'-0"

NOTE:

- NF = NEAR FACE
- FF = FAR FACE
- EF = EACH FACE
- ▲ = CUT TO FIT IN FIELD
- 3" CLEAR, UNLESS OTHERWISE SPECIFIED ON THE PLANS.
- 2'-2" BAR LAP UNLESS OTHERWISE SPECIFIED ON THE PLANS.
- DRILL AND GROUT WINGWALLS AS SHOWN IN THE "WINGWALL TYPICAL" ON "WINGWALL 1 & 2 REINFORCING" SHEET



WINGWALL NO. 3 ELEVATION
SCALE: 1/2" = 1'-0"



WINGWALL NO. 4 ELEVATION
SCALE: 1/2" = 1'-0"

PROJECT NAME:	ANDOVER	PLOT DATE:	06-JAN-2015
PROJECT NUMBER:	BHF 016-1(29)	DRAWN BY:	G. ROKES
FILE NAME:	sl2bl40sub.dgn	CHECKED BY:	D. PETERSON
PROJECT LEADER:	C. CARLSON	SHEET	31 OF 48
DESIGNED BY:	D. PETERSON		
WINGWALL 3 & 4 REINFORCING			