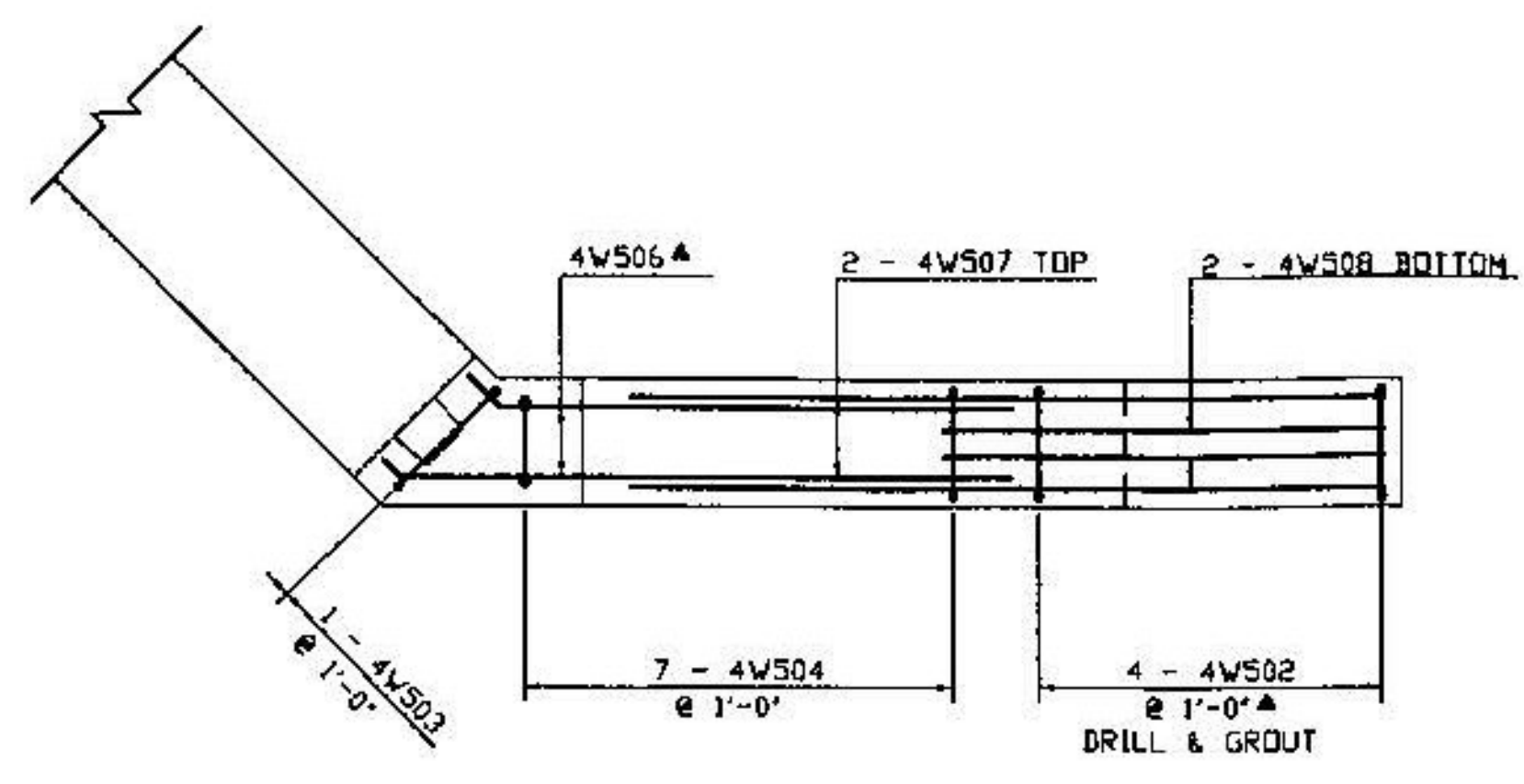
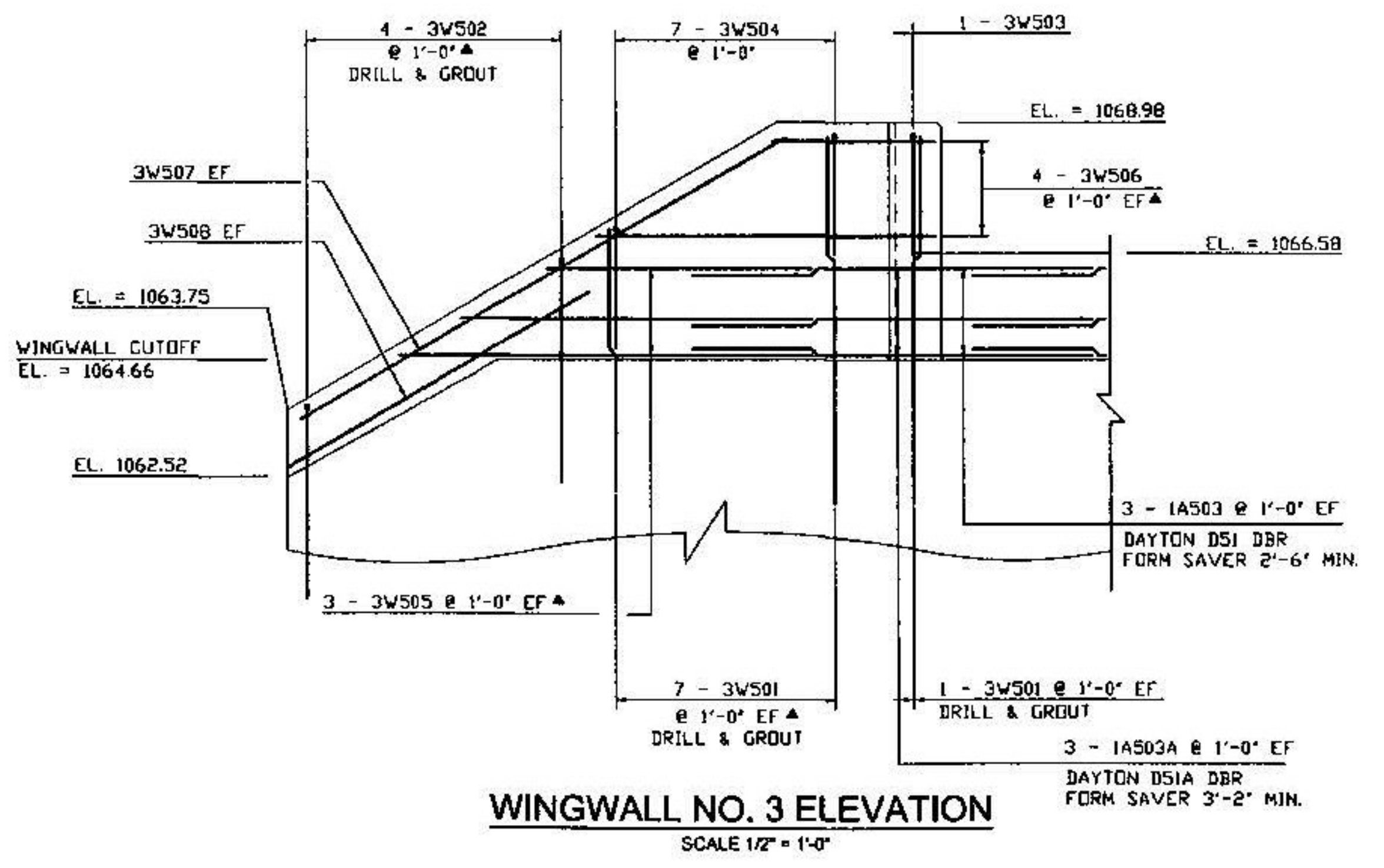


WINGWALL NO. 3 PLAN
SCALE 1/2" = 1'-0"

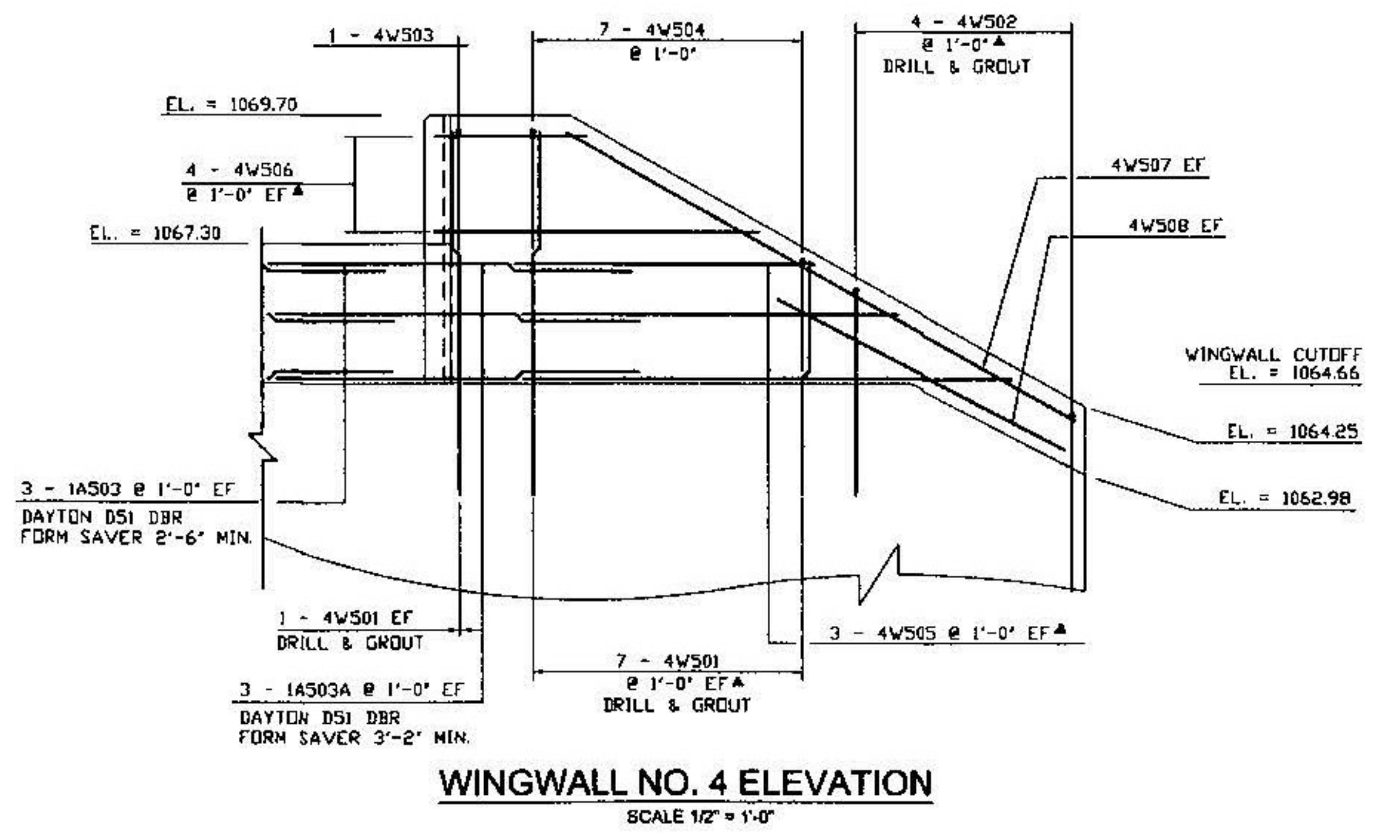


WINGWALL NO. 4 PLAN
SCALE 1/2" = 1'-0"

Vermont Agency of Transportation
RECEIVED
ON: June 24, 2015
and Checked for
CONFORMANCE
BY: D. PETERSON DATE: 06/25/2015



WINGWALL NO. 3 ELEVATION
SCALE 1/2" = 1'-0"



WINGWALL NO. 4 ELEVATION
SCALE 1/2" = 1'-0"

NOTE:
NF = NEAR FACE
FF = FAR FACE
EF = EACH FACE
▲ = CUT TO FIT IN FIELD
3" CLEAR, UNLESS OTHERWISE SPECIFIED ON THE PLANS.
2'-2" BAR LAP UNLESS OTHERWISE SPECIFIED ON THE PLANS.
DRILL AND GROUT WINGWALLS AS SHOWN IN THE "WINGWALL TYPICAL" ON "WINGWALL 1 & 2 REINFORCING" SHEET

| | | | | | | |
|---------------------------------|--|---------------------------------------|--|---|--|--|
| REV. NO. | | DATE | | RENAUD BROS. INC. <small>220 FT. DRUMM ST., VERMONT, 05254 PH: (802) 251-7900 FAX: (802) 251-7908</small> | SHEET NAME: WINGWALL 3 & 4 REINFORCING | |
| PROJECT NAME: ANDOVER | | PROJECT NO.: BHF 016-1 (29) | | | SHEET NO. 6 | |
| DRAWN BY: CE | | CHK'D BY: | | | DATE: 06/03/2015 | |
| 1 | | 08/24/15 | | | OF 7 | |