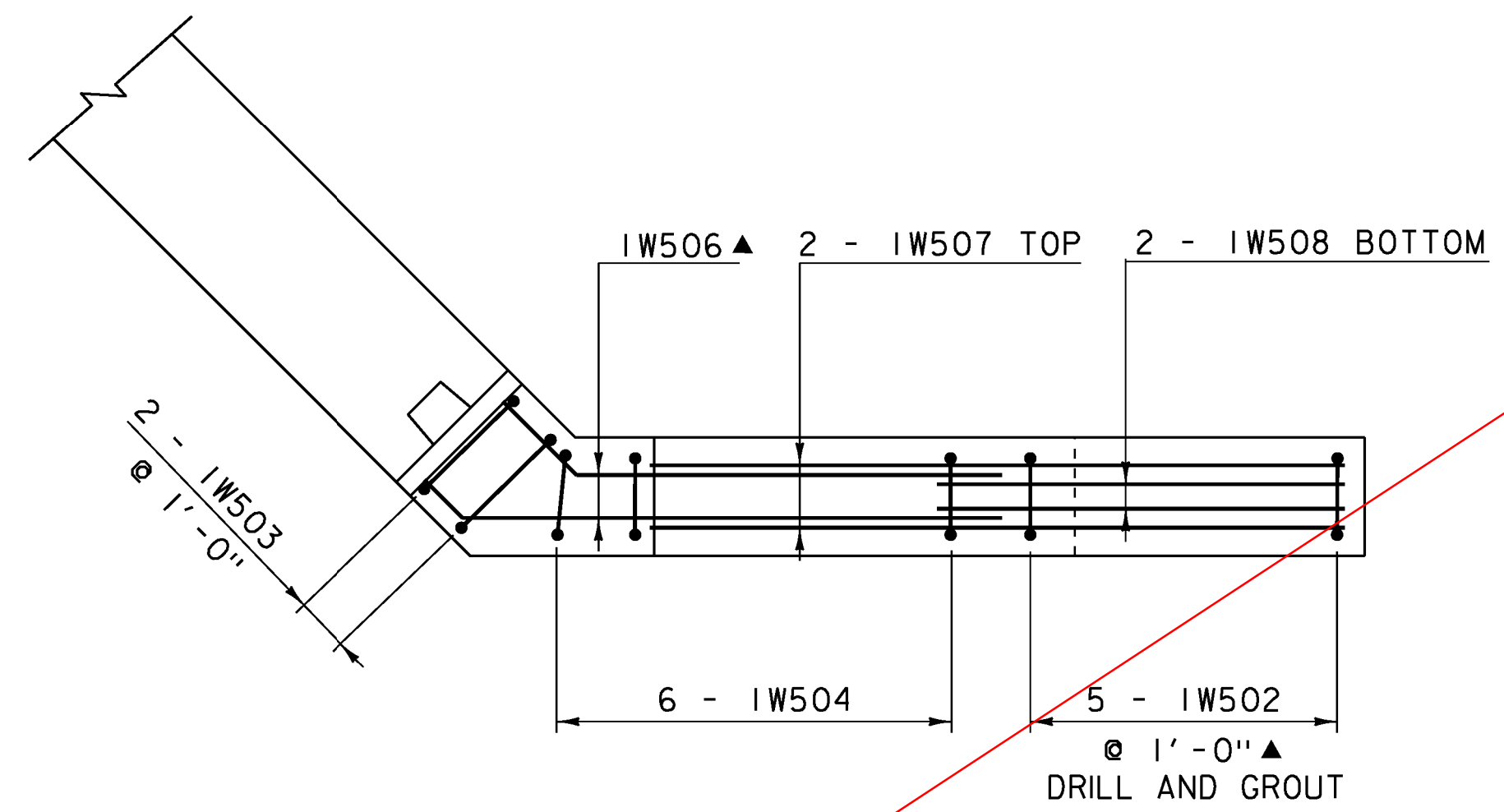
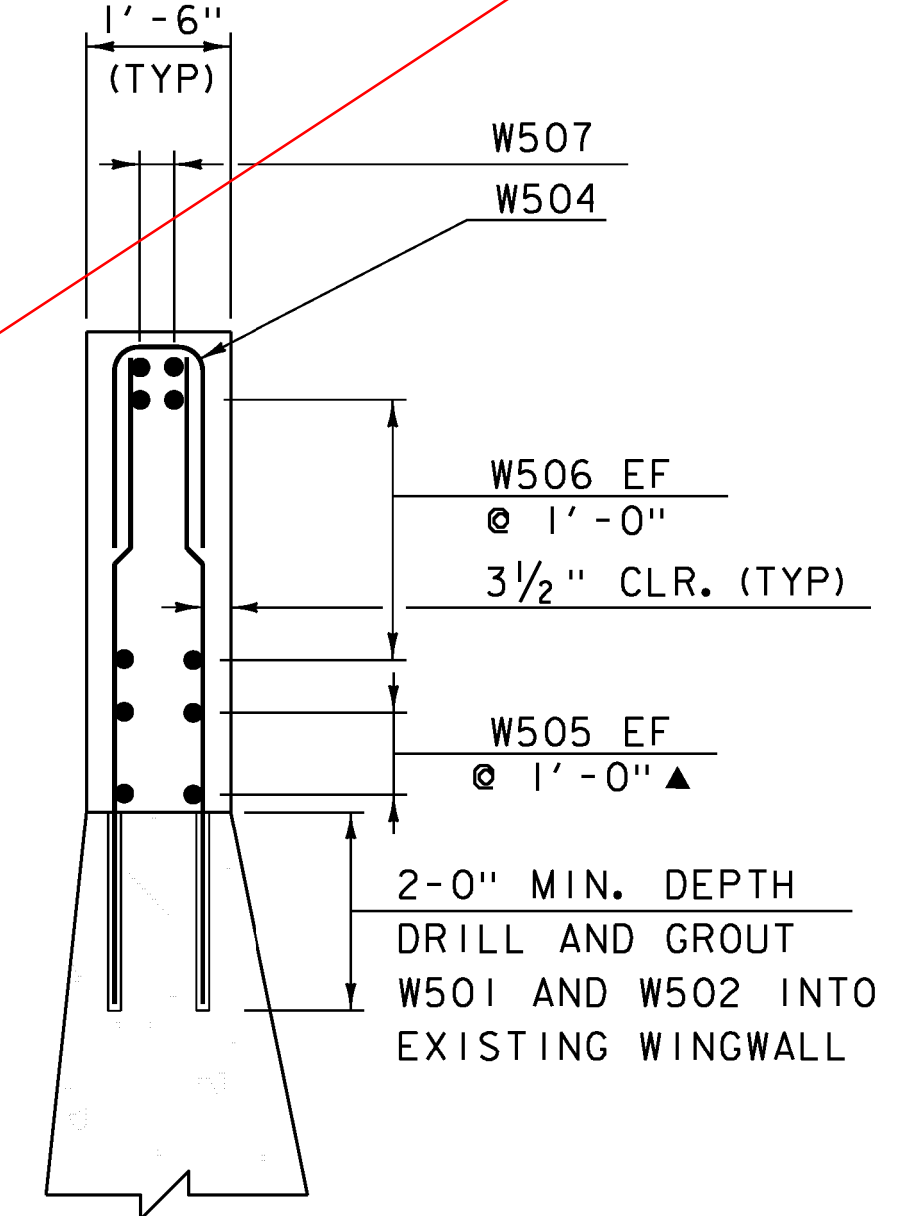


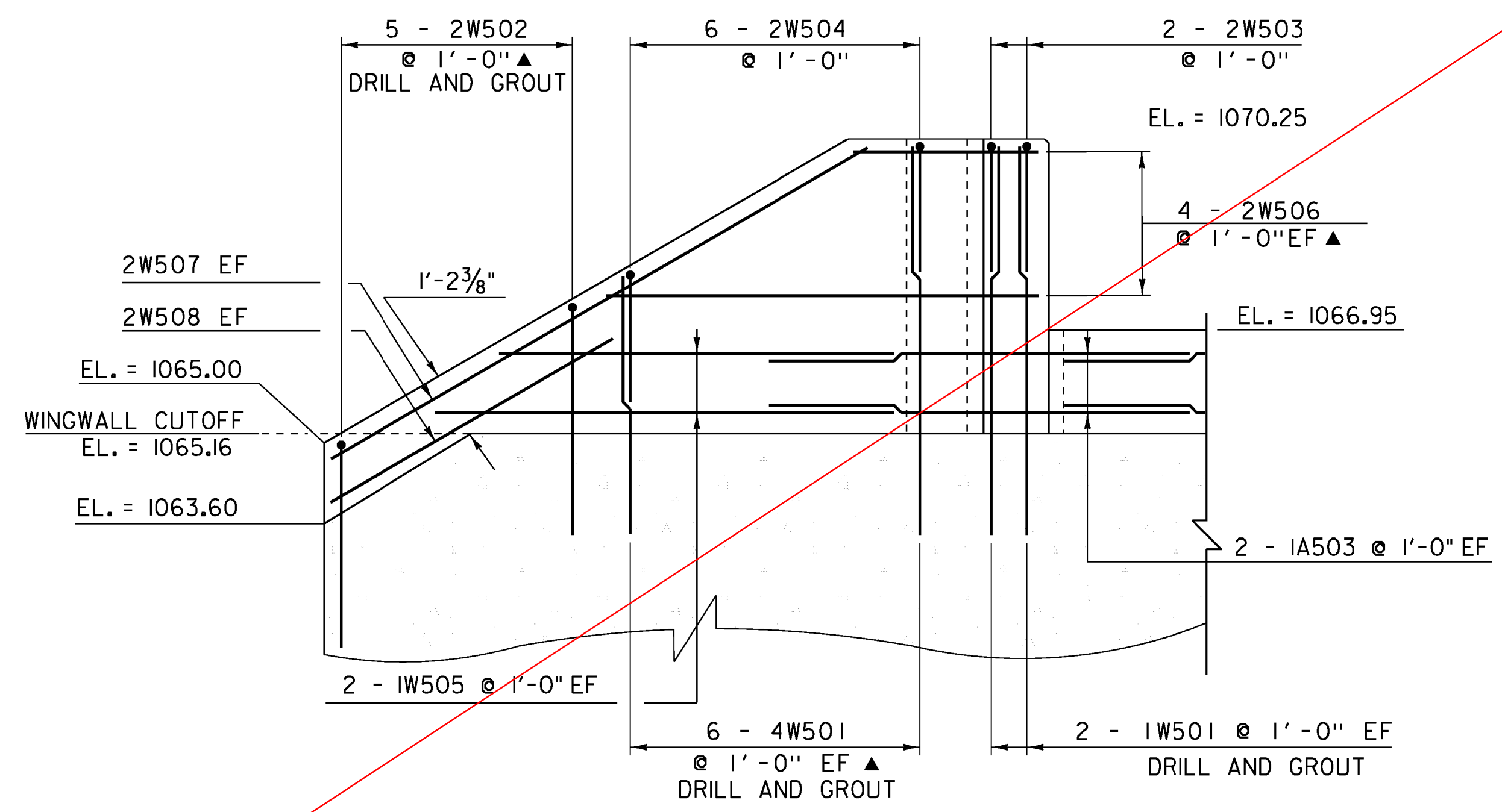
**WINGWALL NO. 2 PLAN**  
SCALE: 1/2" = 1'-0"



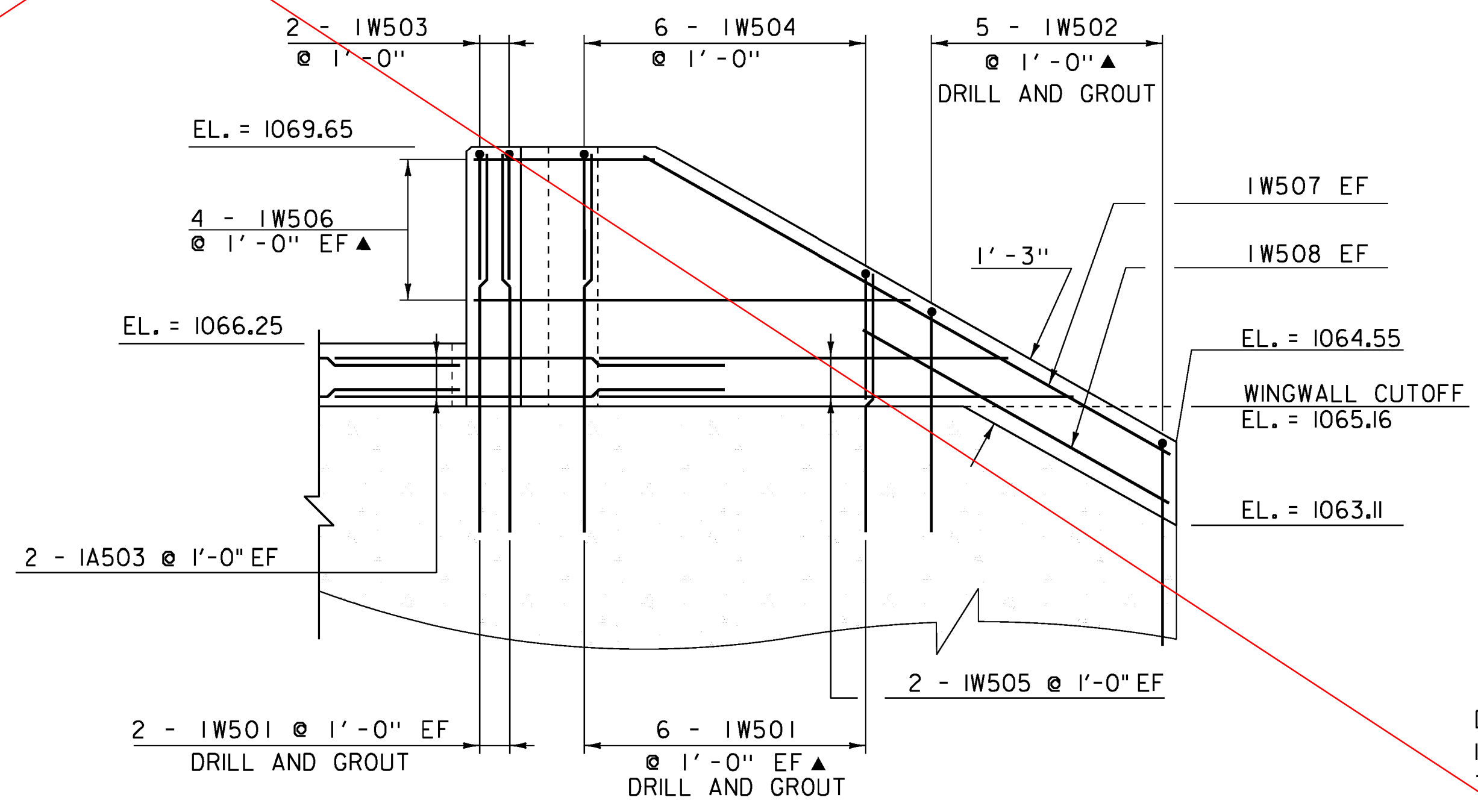
**WINGWALL NO. 1 PLAN**  
SCALE: 1/2" = 1'-0"



**WINGWALL TYPICAL**  
SCALE: 1/2" = 1'-0"



**WINGWALL NO. 2 ELEVATION**  
SCALE: 1/2" = 1'-0"



**WINGWALL NO. 1 ELEVATION**  
SCALE: 1/2" = 1'-0"

**NOTE:**  
 NF = NEAR FACE  
 FF = FAR FACE  
 EF = EACH FACE  
 ▲ = CUT TO FIT IN FIELD  
 3" CLEAR, UNLESS OTHERWISE SPECIFIED ON THE PLANS.  
 2'-2" BAR LAP UNLESS OTHERWISE SPECIFIED ON THE PLANS.  
 DRILL AND GROUT WINGWALLS AS SHOWN IN THE "WINGWALL TYPICAL" ON THIS SHEET

PROJECT NAME:	ANDOVER	PLOT DATE:	06-JAN-2015
PROJECT NUMBER:	BHF 016-1(29)	DRAWN BY:	G. ROKES
FILE NAME:	sl2bl40sub.dgn	CHECKED BY:	D. PETERSON
PROJECT LEADER:	C. CARLSON	WINGWALL 1 & 2 REINFORCING	SHEET 30 OF 48