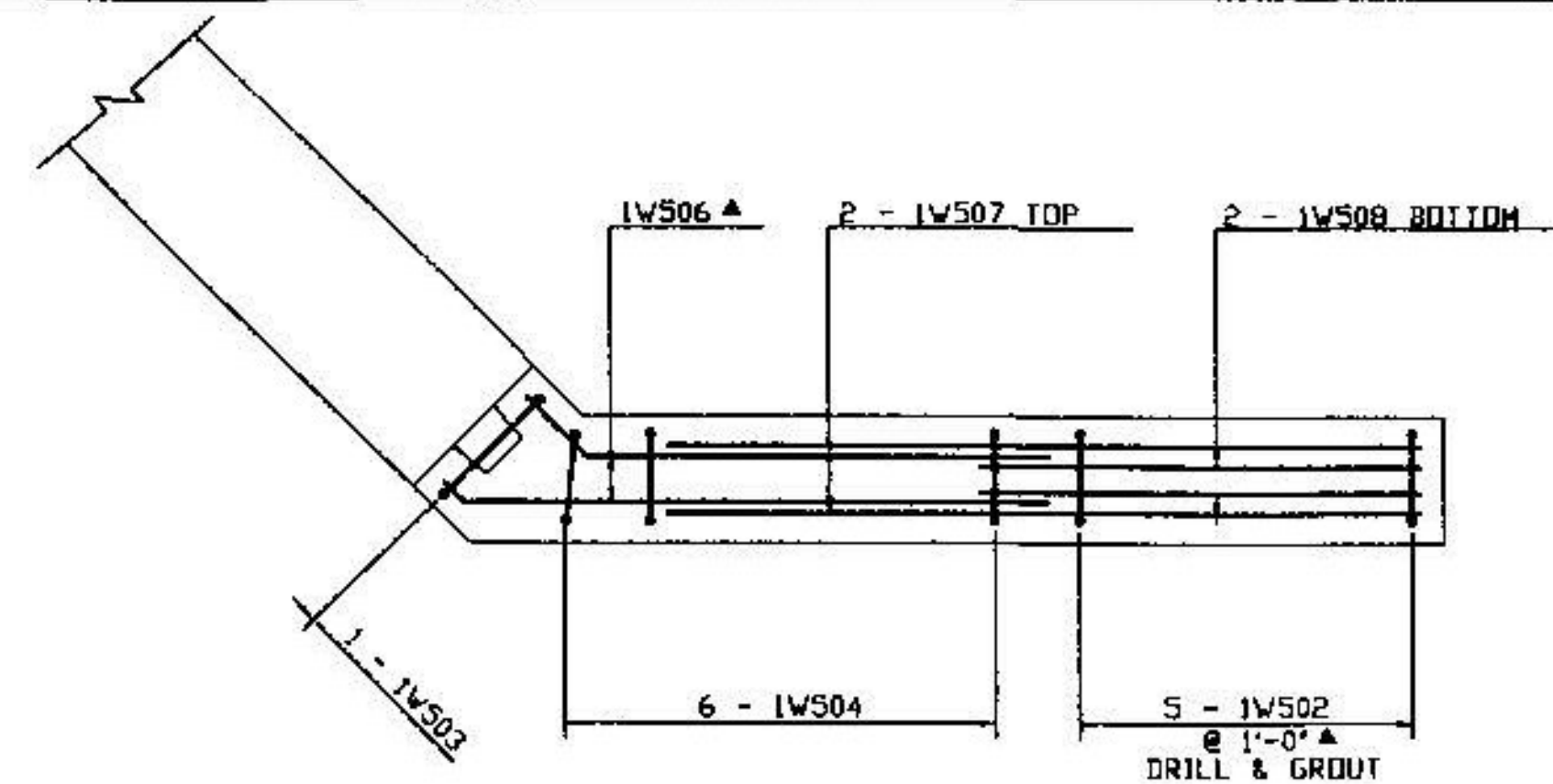
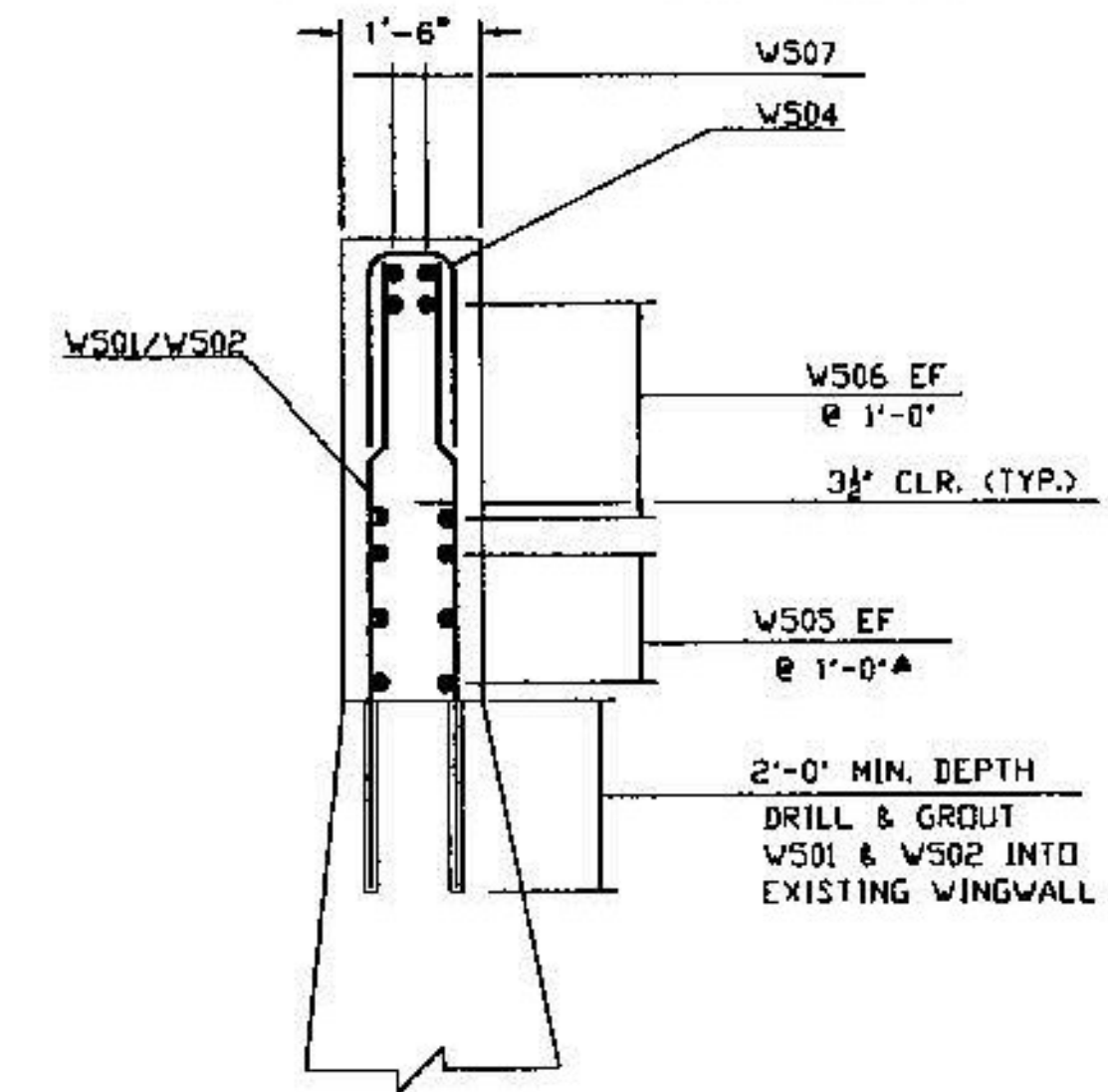


WINGWALL NO. 2 PLAN
SCALE 1/2" = 1'-0"

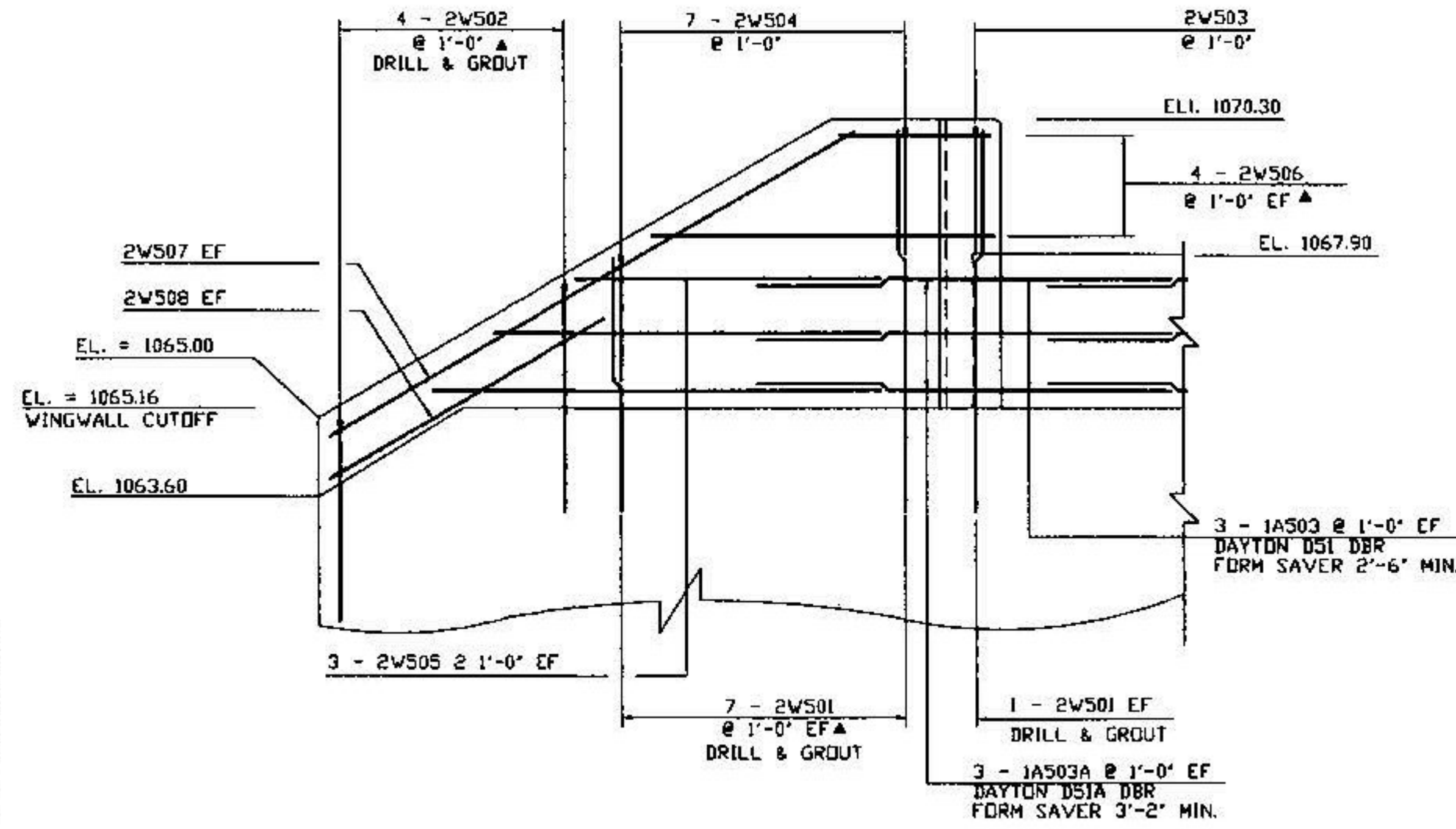


WINGWALL NO. 1 PLAN
SCALE 1/2" = 1'-0"

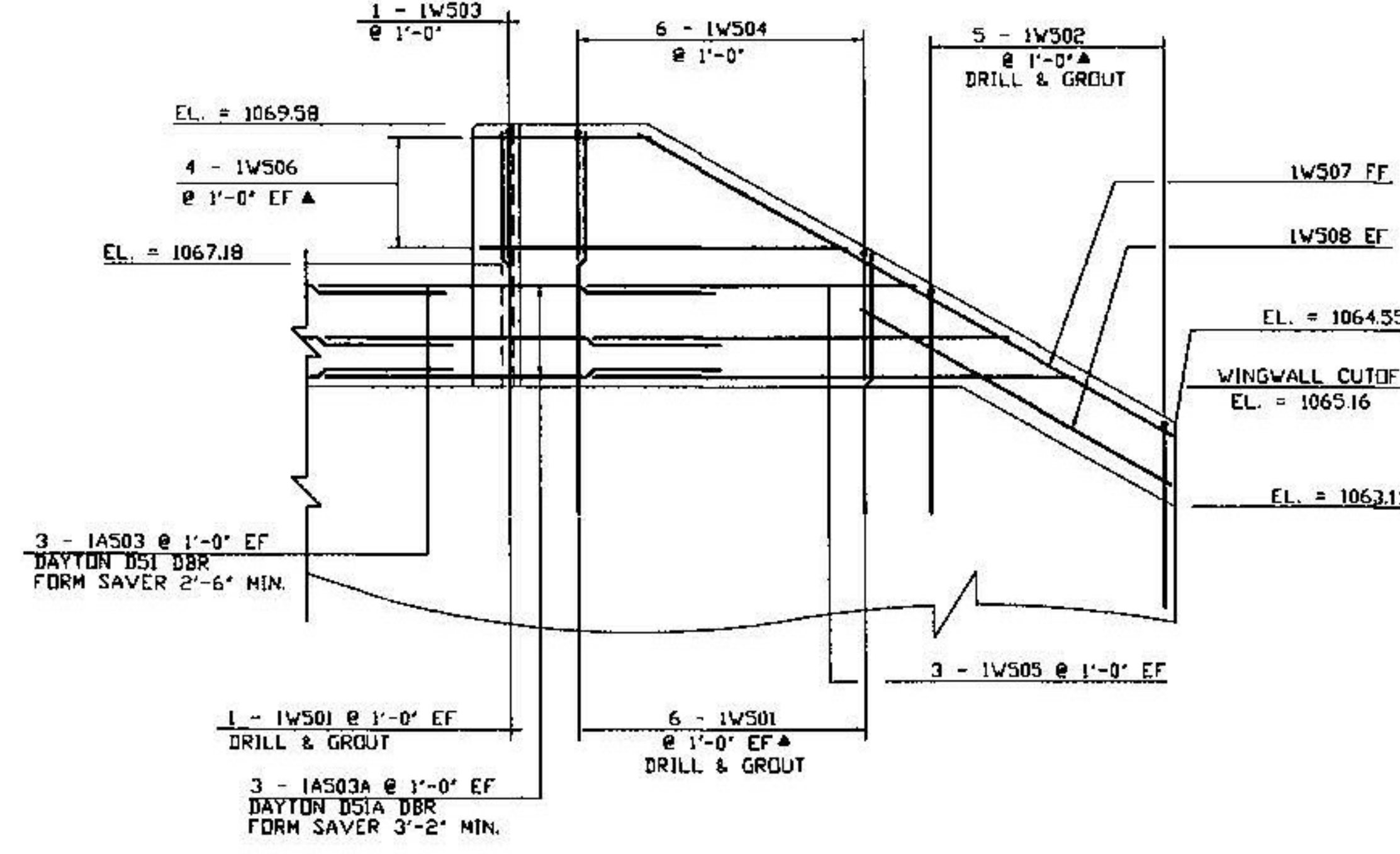


WINGWALL TYPICAL
SCALE 1/2" = 1'-0"

Vermont Agency of Transportation
RECEIVED
ON: June 24, 2015
and Checked for
CONFORMANCE
BY: D. PETERSON DATE: 06/25/2015



WINGWALL NO. 2 ELEVATION
SCALE 1/2" = 1'-0"



WINGWALL NO. 1 ELEVATION
SCALE 1/2" = 1'-0"

NOTE:
NF = NEAR FACE
FF = FAR FACE
EF = EACH FACE
▲ = CUT TO FIT IN FIELD
3" CLEAR, UNLESS OTHERWISE SPECIFIED ON THE PLANS.
2'-2" BAR LAP UNLESS OTHERWISE SPECIFIED ON THE PLANS.
DRILL AND GROUT WINGWALLS AS SHOWN IN THE "WINGWALL TYPICAL" ON THIS SHEET

REV. NO.		DATE		RENAUD BROS. INC. <small>285 FT. BRIDGEMAN BL. VERMONT, 05594 PH. (802) 257-7422 FAX. (802) 257-1508</small>	SHEET NAME: WINGWALL 1 & 2 REINFORCING	
PROJECT NAME: ANDOVER		PROJECT NO: BHF 016-1 (29)			SHEET NO. 3	
DRAWN BY: CE		CHK'D BY:			DATE: 06/03/2015	
1		06/24/15			OF 7	