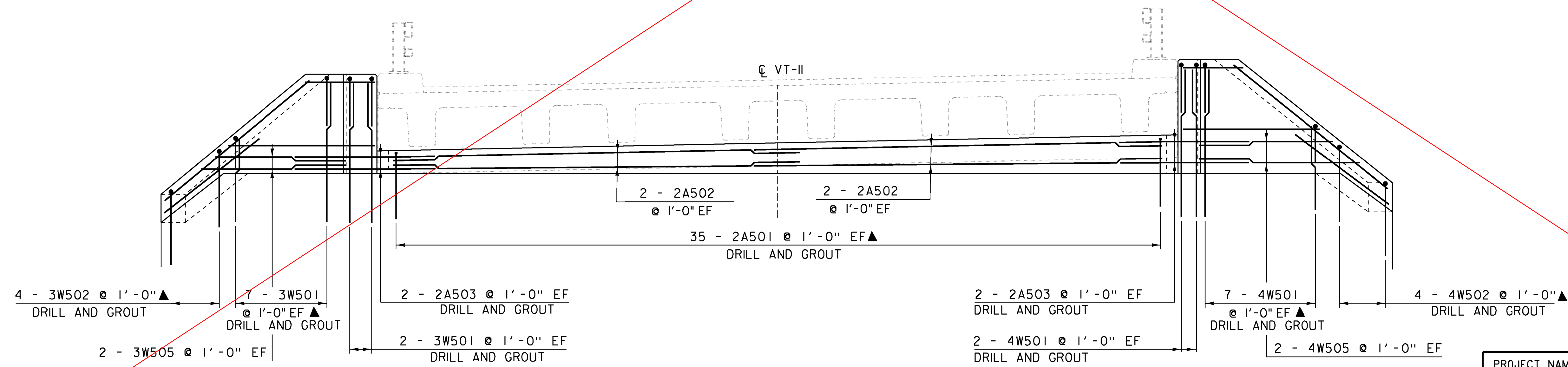


ABUTMENT NO. 2 BELOW BRIDGE SEAT REINFORCING LAYOUT

SCALE: $\frac{3}{8}'' = 1'-0''$



ABUTMENT NO. 2 REINFORCING ELEVATION

SCALE: $\frac{3}{8}'' = 1'-0''$

NOTE:

- NF = NEAR FACE
- FF = FAR FACE
- EF = EACH FACE
- ▲ = CUT TO FIT IN FIELD
- 3" CLEAR, UNLESS OTHERWISE SPECIFIED ON THE PLANS.
- 2'-2" BAR LAP UNLESS OTHERWISE SPECIFIED ON THE PLANS.

DRILL AND GROUT ABUTMENT AS SHOWN IN THE "ABUTMENT TYPICAL" ON "ABUTMENT 1 PLAN & ELEVATION" SHEET
 DRILL AND GROUT WINGWALLS AS SHOWN IN THE "WINGWALL TYPICAL" ON "WINGWALL 1 & 2 REINFORCING" SHEET

PROJECT NAME:	ANDOVER	FILE NAME:	sl2bl40sub.dgn	PLOT DATE:	06-JAN-2015
PROJECT NUMBER:	BHF 016-1(29)	PROJECT LEADER:	C. CARLSON	DRAWN BY:	G. ROKES
		DESIGNED BY:	D. PETERSON	CHECKED BY:	D. PETERSON
		ABUTMENT 2 REINFORCING		SHEET	29 OF 48