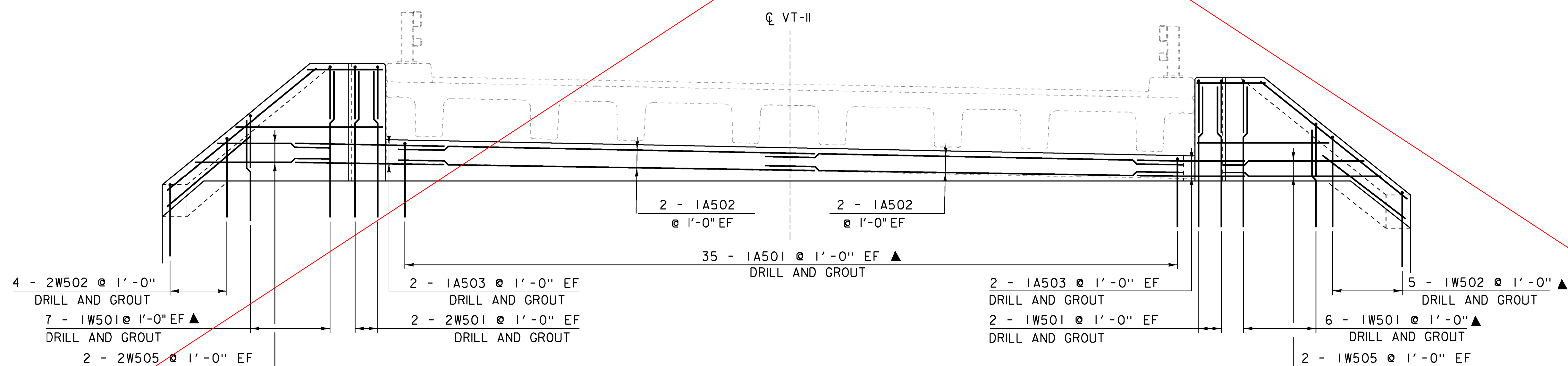


ABUTMENT NO. 1 BELOW BRIDGE SEAT REINFORCING LAYOUT

SCALE: 3/8" = 1'-0"



ABUTMENT NO. 1 REINFORCING ELEVATION

SCALE: 3/8" = 1'-0"

**NOTE:**

NF = NEAR FACE  
 FF = FAR FACE  
 EF = EACH FACE  
 ▲ = CUT TO FIT IN FIELD  
 3" CLEAR, UNLESS OTHERWISE SPECIFIED ON THE PLANS.  
 2'-2" BAR LAP UNLESS OTHERWISE SPECIFIED ON THE PLANS.

DRILL AND GROUT ABUTMENT AS SHOWN IN THE "ABUTMENT TYPICAL" ON "ABUTMENT I PLAN & ELEVATION" SHEET  
 DRILL AND GROUT WINGWALLS AS SHOWN IN THE "WINGWALL TYPICAL" ON "WINGWALL 1 & 2 REINFORCING" SHEET

PROJECT NAME: ANDOVER  
 PROJECT NUMBER: BHF 016-1(29)

FILE NAME: sl2bl40sub.dgn  
 PROJECT LEADER: C. CARLSON  
 DESIGNED BY: D. PETERSON  
 ABUTMENT I REINFORCING

PLOT DATE: 06-JAN-2015  
 DRAWN BY: G. ROKES  
 CHECKED BY: D. PETERSON  
 SHEET 28 OF 48