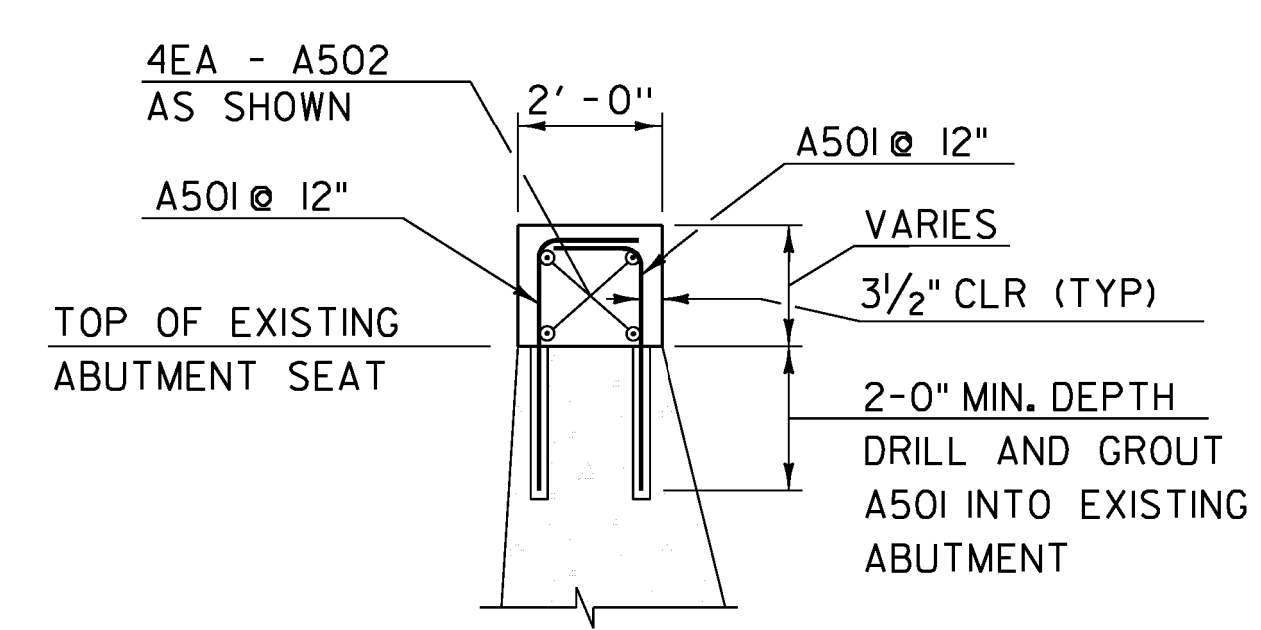
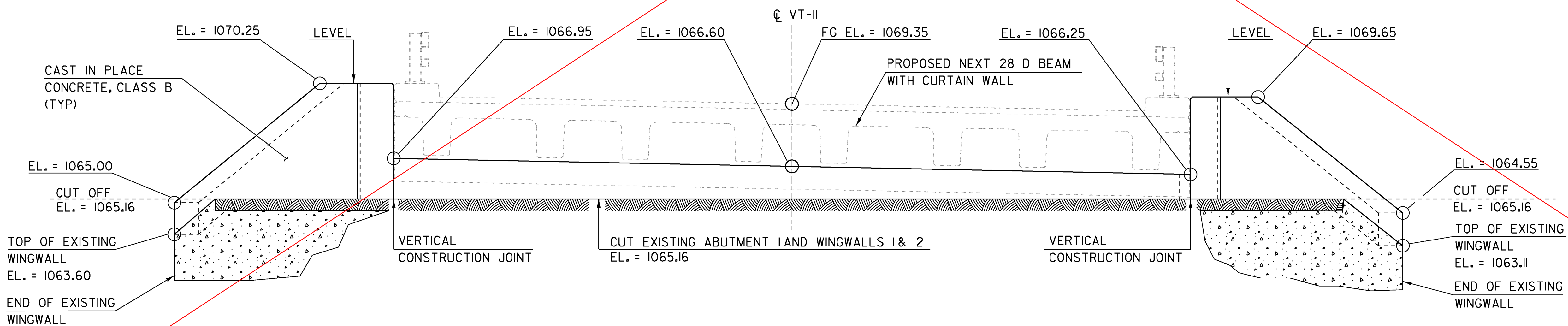


ABUTMENT NO. 1 PLAN
SCALE: 3/8" = 1'-0"



ABUTMENT TYPICAL
SCALE: 3/8" = 1'-0"



ABUTMENT NO. 1 ELEVATION
SCALE: 3/8" = 1'-0"

NOTE:
 NF = NEAR FACE
 FF = FAR FACE
 EF = EACH FACE
 ▲ = CUT TO FIT IN FIELD
 3" CLEAR, UNLESS OTHERWISE
 SPECIFIED ON THE PLANS.
 2'-2" BAR LAP UNLESS OTHERWISE
 SPECIFIED ON THE PLANS.
 SECTION OF EXISTING ABUTMENT
 AND WINGWALLS TO BE CUT.

PROJECT NAME:	ANDOVER	FILE NAME:	sl2bl40sub.dgn	PLOT DATE:	06-JAN-2015
PROJECT NUMBER:	BHF 016-1(29)	PROJECT LEADER:	C. CARLSON	DRAWN BY:	G. ROKES
		DESIGNED BY:	D. PETERSON	CHECKED BY:	D. PETERSON
		ABUTMENT I PLAN & ELEVATION		SHEET	26 OF 48