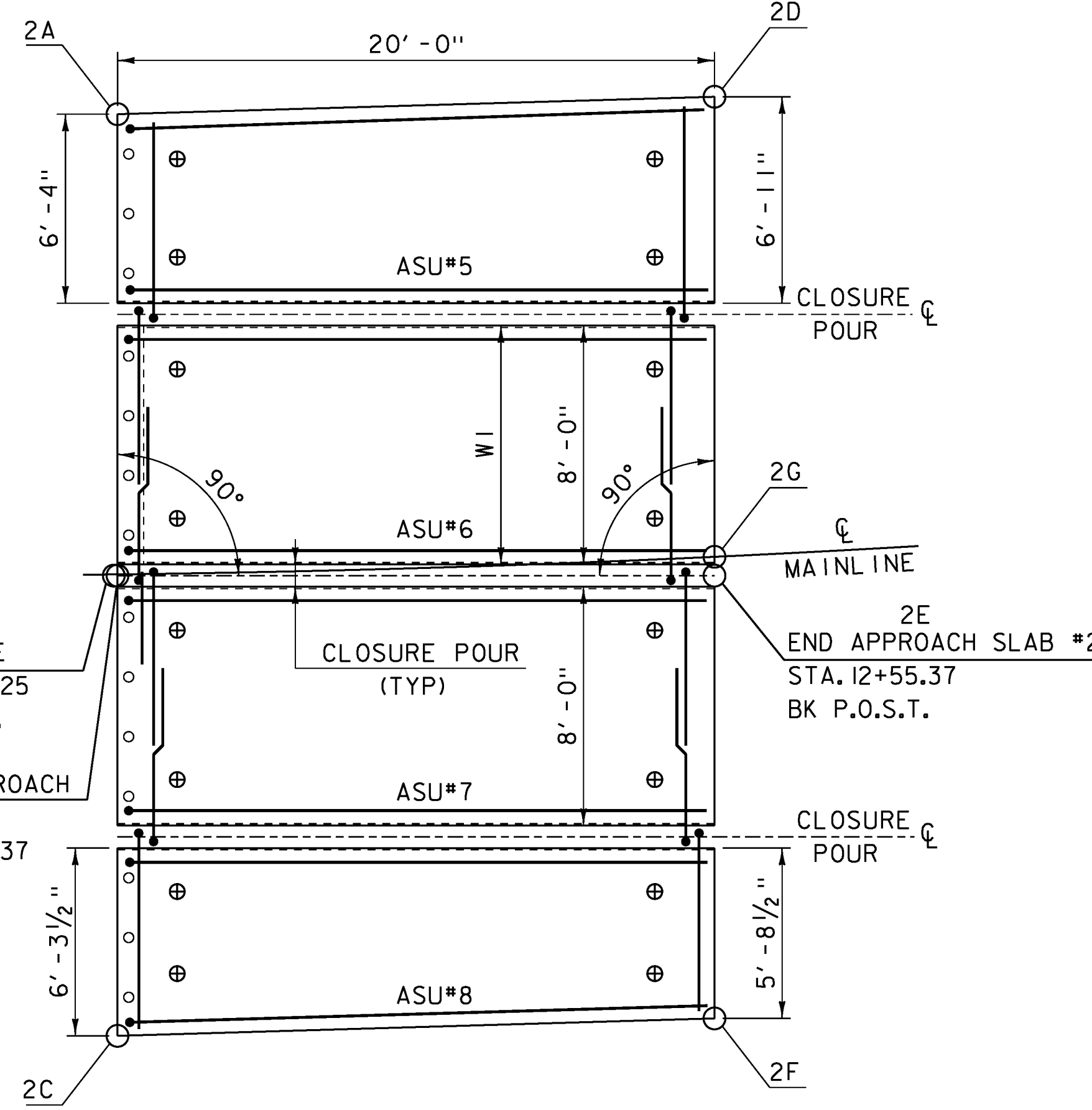


APPROACH SLAB #1 PLAN VIEW

SCALE 1/4" = 1'-0"

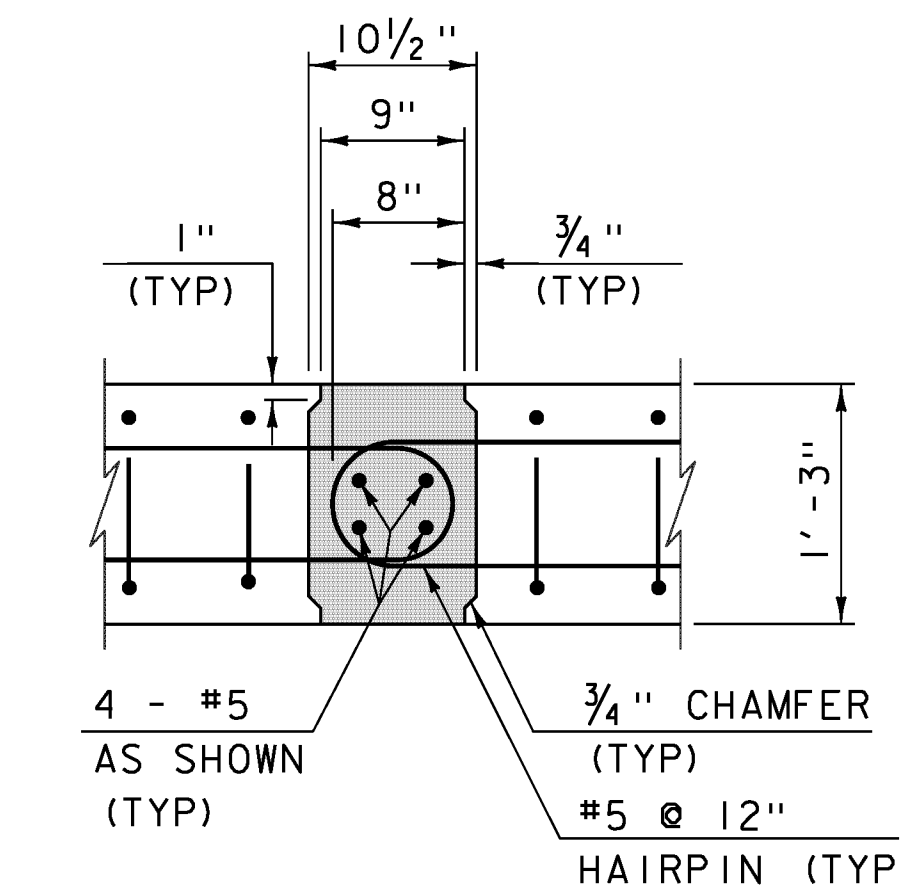


APPROACH SLAB #2 PLAN VIEW

SCALE 1/4" = 1'-0"

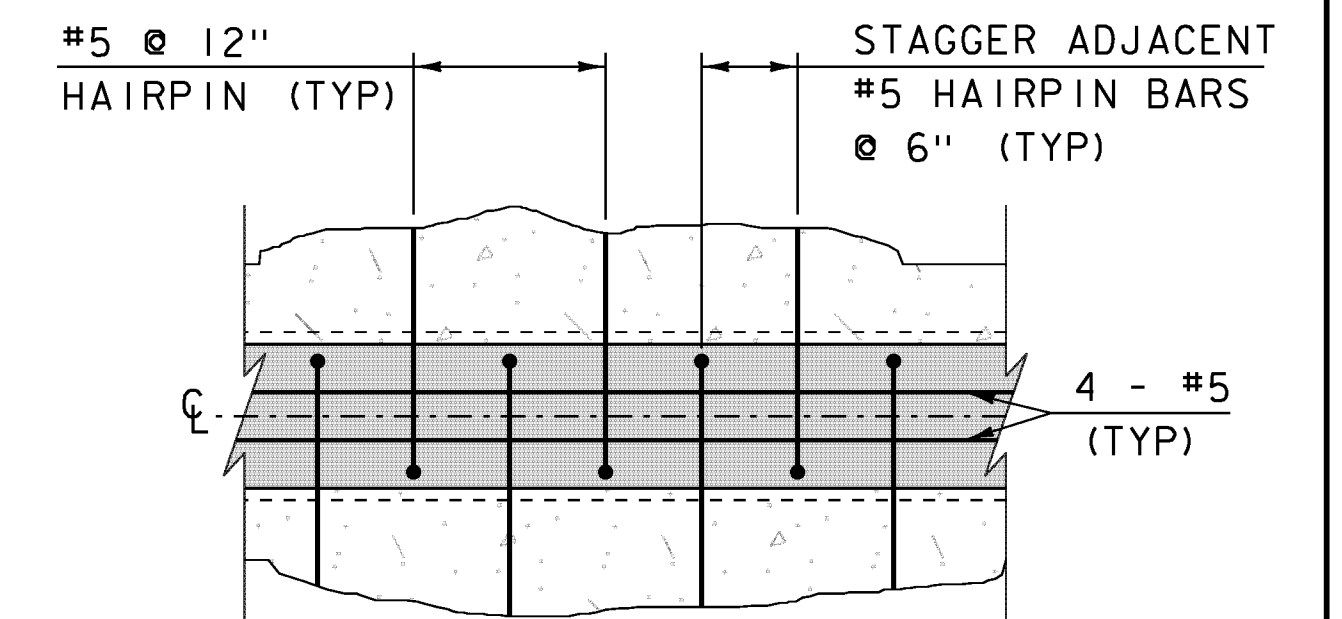
- NOTE:
- FABRICATOR TO DESIGN LIFTING POINTS AND INCLUDE CALCULATIONS WITH SUBMITTAL.
 - FABRICATOR TO ENSURE 4" DIA. HOLES IN APPROACH SLAB UNIT WILL MATCH UP WITH #8 BARS THAT ARE IN THE PRECAST END SECTION APPROACH SLAB BRACKET.

ASU = APPROACH SLAB UNIT



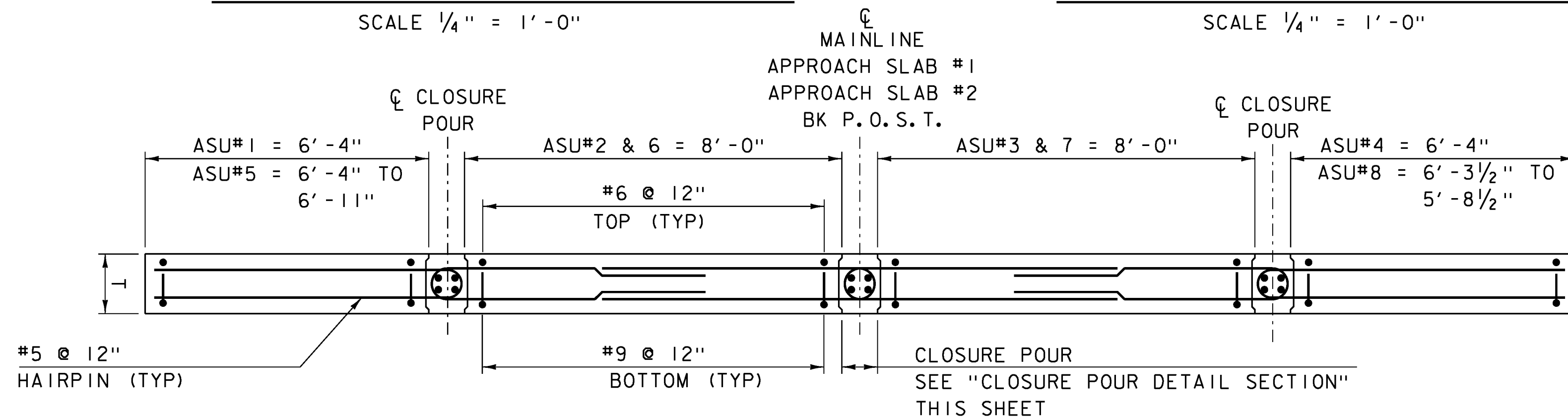
CLOSURE POUR DETAIL SECTION

SCALE 1" = 1'-0"



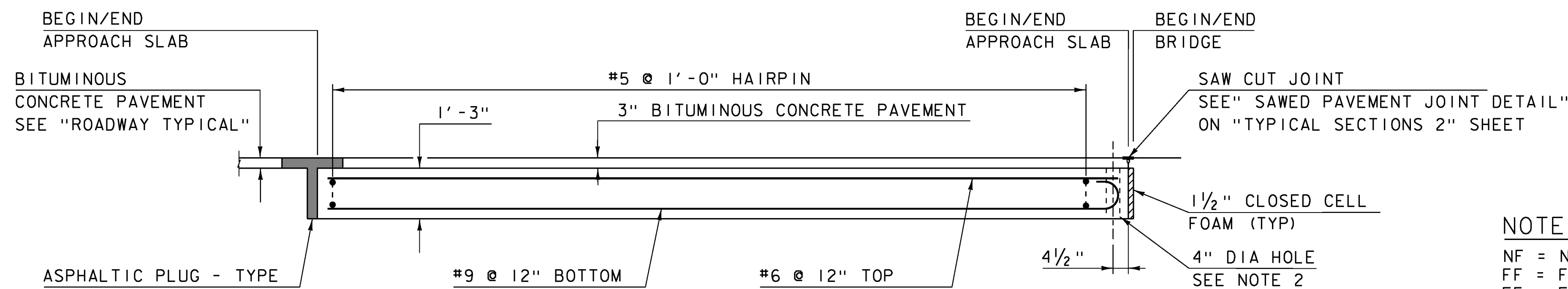
CLOSURE POUR PLAN

SCALE 1" = 1'-0"



TYPICAL SECTION

SCALE 1/2" = 1'-0"



APPROACH SLAB ELEVATION VIEW

SCALE 1/2" = 1'-0"

- NOTE:
- NF = NEAR FACE
 - FF = FAR FACE
 - EF = EACH FACE
 - 3" CLEAR, UNLESS OTHERWISE SPECIFIED ON THE PLANS.
 - 2'-7" BAR LAP UNLESS OTHERWISE SPECIFIED ON THE PLANS.

	STATION	OFFSET	ELEVATION
1A	11+66.62	-15.46	1069.10
1B	11+66.62	CL	1069.41
1C	11+66.62	15.46	1069.72
1D	11+86.62	-15.46	1068.83
1E	11+86.62	CL	1069.14
1F	11+86.62	15.46	1069.45
2A	12+35.57	-15.42	1068.16
2B	12+35.37	CL	1068.47
2C	12+35.19	15.46	1068.78
2D	12+56.13	-15.39	1067.88
2E	12+55.39	CL	1068.20
2F	12+54.68	15.45	1068.52
2G	12+55.37	0.63	1068.51

APPROACH SLAB ELEVATIONS

ALL ELEVATIONS ARE TOP OF SLAB

PROJECT NAME: ANDOVER
PROJECT NUMBER: BHF 016-1(29)

FILE NAME: sl2bl40sup.dgn
PROJECT LEADER: C. CARLSON
DESIGNED BY: D. PETERSON
APPROACH SLAB DETAILS

PLOT DATE: 06-JAN-2015
DRAWN BY: G. ROKES
CHECKED BY: D. PETERSON
SHEET 25 OF 48