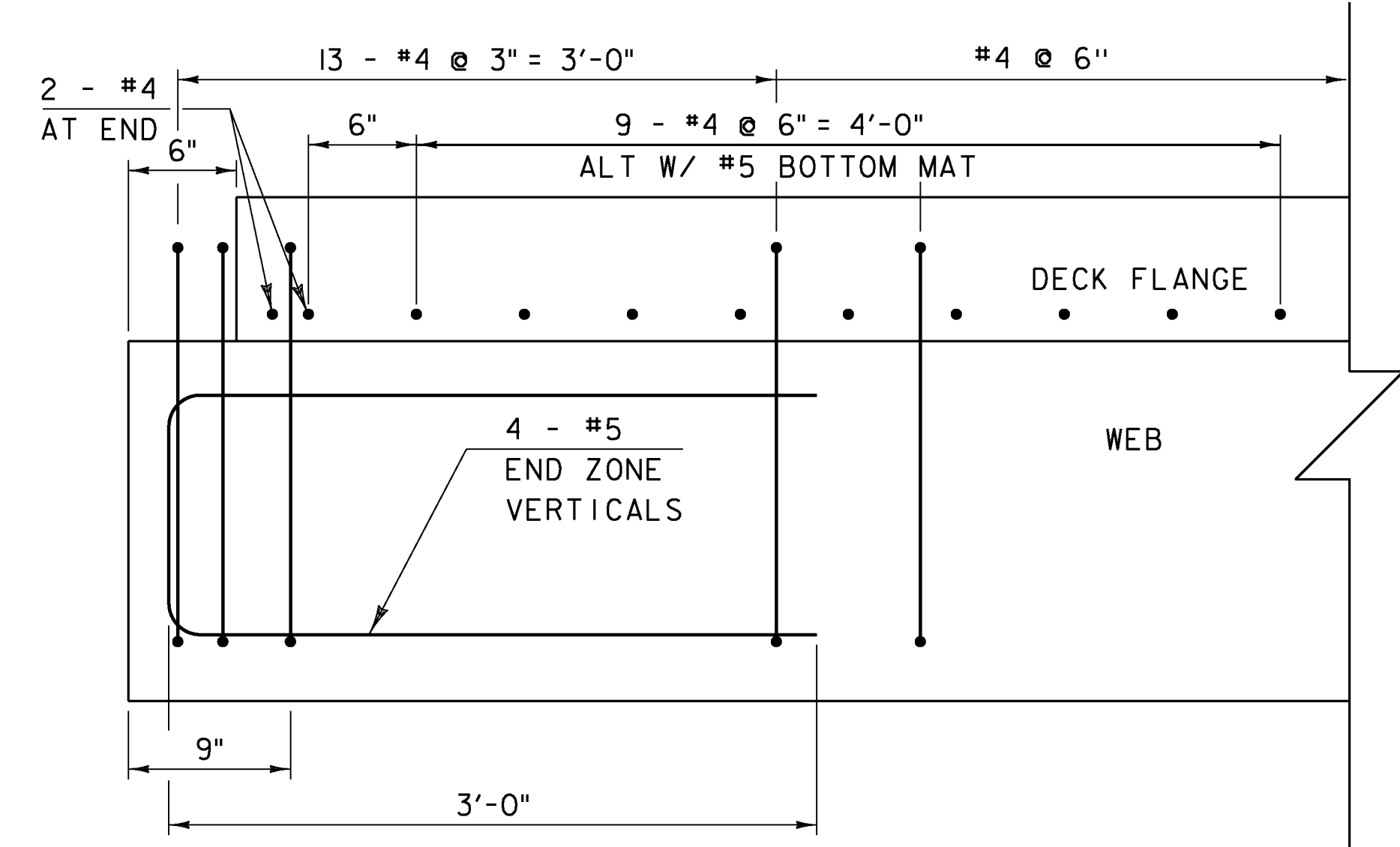
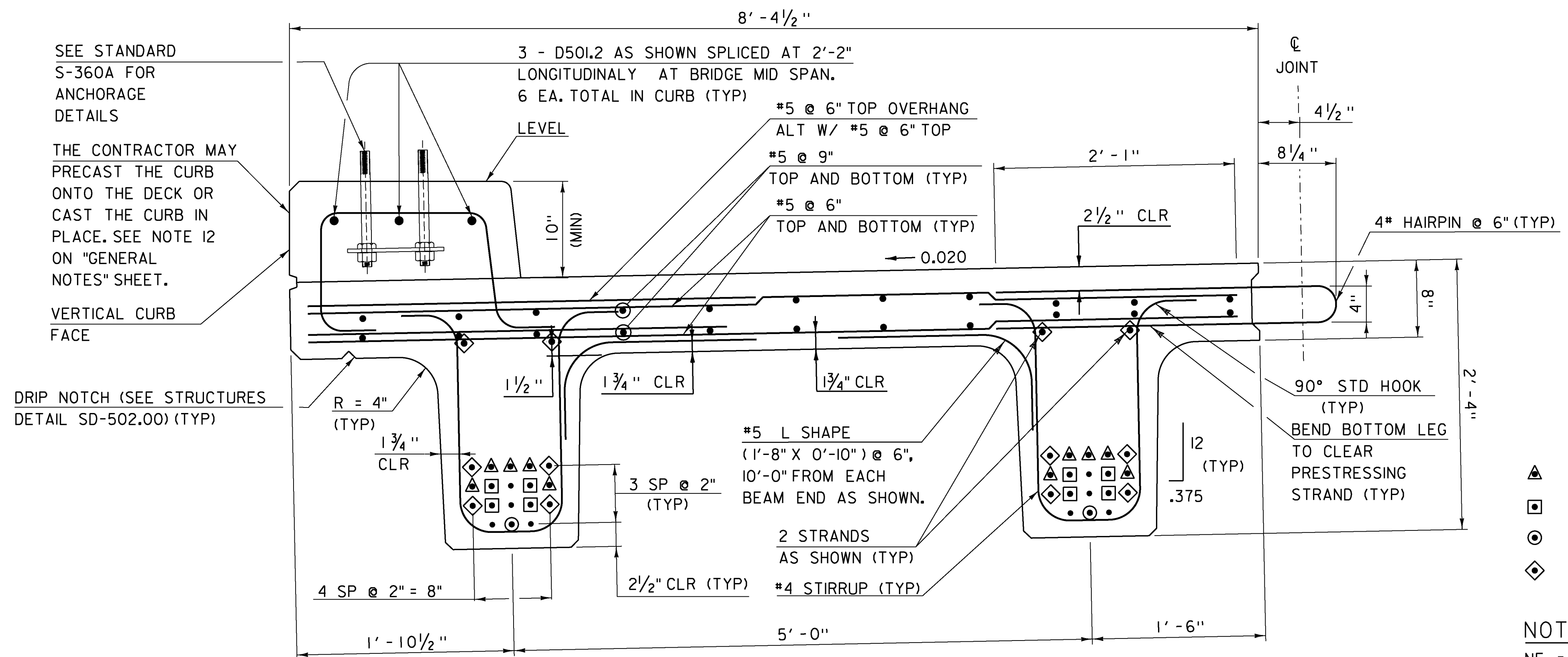


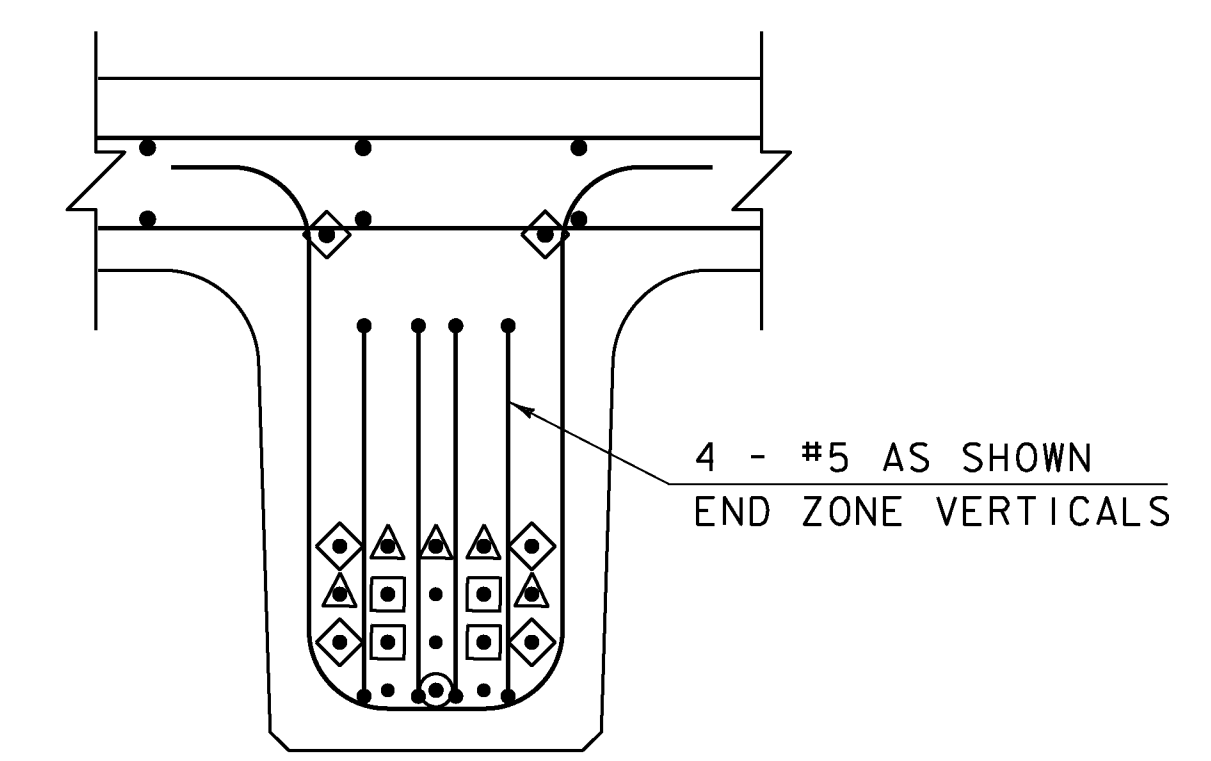
NEXT 28 D BEAM SECTION BEAM 2 (BEAM 3 SIMILAR)  
SCALE: 1 1/2" = 1'-0"



ADDITIONAL END BEAM REINFORCING  
LONGITUDINAL SECTION  
SCALE: 1 1/2" = 1'-0"  
•BARS IN DECK FLANGE OMITTED FOR CLARITY



NEXT 28 D BEAM SECTION BEAM 1 (BEAM 4 SIMILAR)  
SCALE: 1 1/2" = 1'-0"



BEAM END SECTION  
SCALE: 1 1/2" = 1'-0"

- STRAND LEGEND
- ▲ DEBONDED 0'-6" EACH END
  - ▣ DEBONDED 2'-0" EACH END
  - ⊙ DEBONDED 4'-0" EACH END
  - ◇ 1' - 6" STRAND CUT LONG EACH END

NOTE:

NF = NEAR FACE  
FF = FAR FACE  
EF = EACH FACE  
3" CLEAR, UNLESS OTHERWISE SPECIFIED ON THE PLANS.  
2'-7" BAR LAP UNLESS OTHERWISE SPECIFIED ON THE PLANS.

PROJECT NAME: ANDOVER	PLOT DATE: 23-JAN-2015
PROJECT NUMBER: BHF 016-1(29)	DRAWN BY: G.ROKES
FILE NAME: sl2b140sup.dgn	CHECKED BY: D.PETERSON
PROJECT LEADER: C. CARLSON	SHEET 23 OF 48
DESIGNED BY: D. PETERSON	
NEXT BEAM TYPICAL SECTIONS	